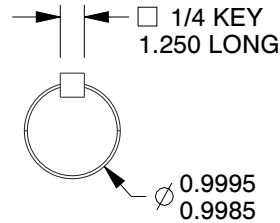
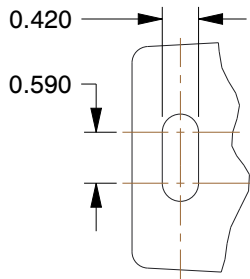


INPUT SHAFT

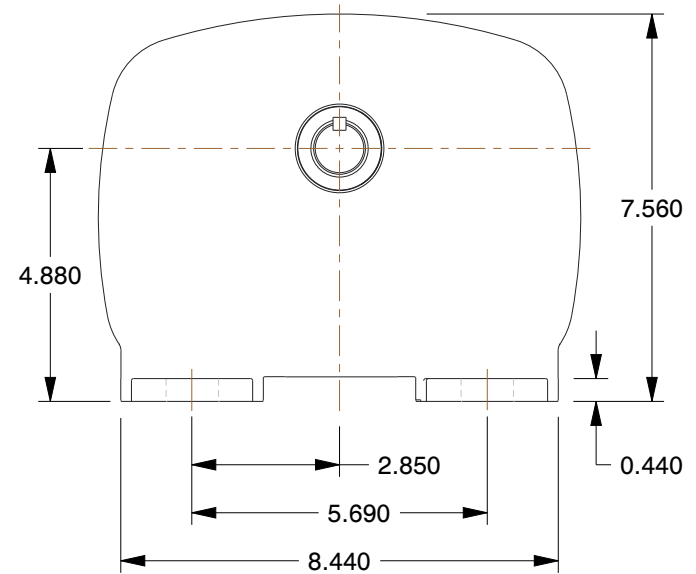
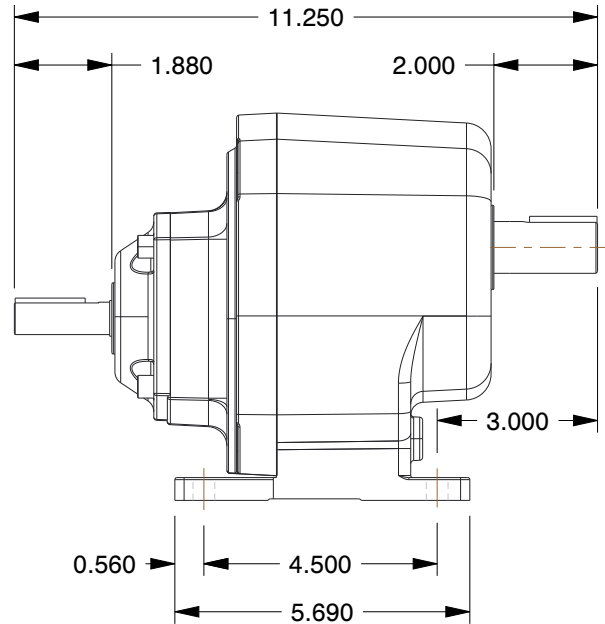


OUTPUT SHAFT

Speed Reducer Type	Indirect Drive	Max. Output Torque (in-lb)	998
Shaft Orientation	Parallel/Inline	Overhung Load (lb.)	1192
NEMA/IEC Frame	N/A	Nominal Output RPM	20
Standards	AGMA	Number of Stages	1
Seal Type	Double Lip	Max. Input HP	0.3
Rotation	Forward/Reversible	Nominal Ratio	87:1
Duty	Standard	Input RPM	1750



(4x) SLOT DETAIL



NOTES:

1. BEARINGS: Ball
2. GEAR TYPE: Helical
3. FINISH: Powdered Epoxy Paint
4. HOUSING MATERIAL: Cast Iron
5. WORM GEAR MATERIAL: Bronze
6. PINION MATERIAL: Hardened Steel
7. LUBRICATION: Klubersynth UH1 6-460
8. SHAFT OUTPUT/TYPE: Single Output/Solid
9. GEAR MATERIAL: Hardened and Ground Steel
10. OUTPUT TORQUE (in.-lb.)
 - @ 1/4 HP 748
 - @ 1/3 HP 998

COMPONENT	Speed Reducer
------------------	---------------



100 Grainger Parkway, Lake Forest, Illinois 60045-5201
 1-(800) GRAINGER, 1-(800) 472-4643, (847) 535-1000
 www.grainger.com

This file and any associated information and specifications are provided for reference and evaluation purposes only, and is subject to change without notice. Grainger makes no representations, warranties or guarantees as to the appropriateness, accuracy, completeness, or suitability for any purpose, of the file, information or specifications. You are solely responsible for the use of the file, information or specifications.

This drawing is the property of GRAINGER. It contains confidential, proprietary information that is GRAINGER property. Do not disclose to or duplicate for others except as authorized by GRAINGER.

SCALE 0.27

Speed Reducer, Indirect Drive, 87:1

4Z856

UNIT

INCH

SHEET

1 of 1