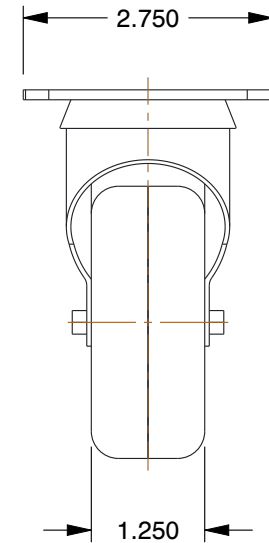
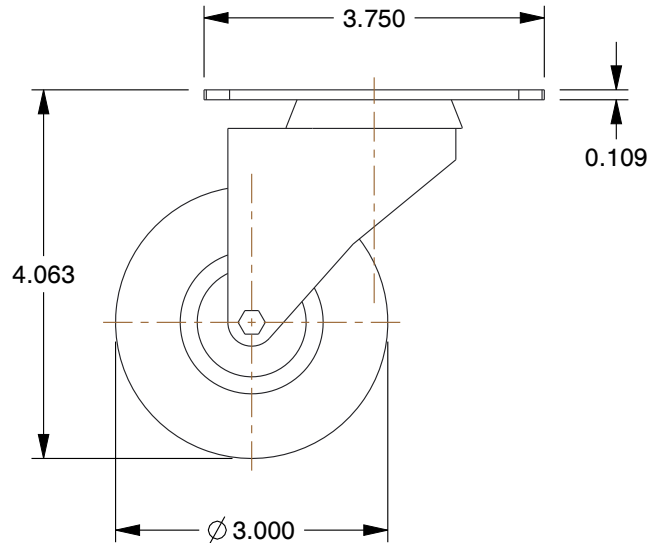
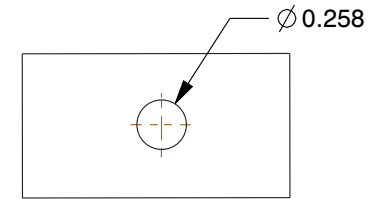


MOUNTING HOLE DETAILS



NOTES:

1. CASTER SUB-TYPE : Swivel
2. CASTER LOAD RATING RANGE : Light-Duty
3. LOAD RATING : 176 lb.
4. CASTER WHEEL MATERIAL : Polyolefin
5. CASTER CORE MATERIAL : Polypropylene
6. WHEEL COLOR : Black
7. CASTER WHEEL BEARINGS : Delrin
8. CASTER FRAME MATERIAL : Steel
9. MOUNTING BOLT DIA. : 5/16"
10. FRAME FINISH : Zinc Plated
11. CASTER MAX TEMP : 180°F
12. CASTER MIN TEMP : -20°F

COMPONENT	Plate Caster
------------------	--------------



100 Grainger Parkway, Lake Forest, Illinois 60045-5201
 1-(800) GRAINGER, 1-(800) 472-4643, (847) 535-1000
 www.grainger.com

This file and any associated information and specifications are provided for reference and evaluation purposes only, and is subject to change without notice. Grainger makes no representations, warranties or guarantees as to the appropriateness, accuracy, completeness, or suitability for any purpose, of the file, information or specifications. You are solely responsible for the use of the file, information or specifications.

This drawing is the property of GRAINGER. It contains confidential, proprietary information that is GRAINGER property. Do not disclose to or duplicate for others except as authorized by GRAINGER.

SCALE 0.47

Swivl Plt Castr, Polyolfin, 3 in., 176 lb, D

4X694

UNIT

INCH

SHEET

1 of 1