

Please read and save these instructions. Read through this owner's manual carefully before using product. Protect yourself and others by observing all safety information, warnings, and cautions. Failure to comply with instructions could result in personal injury and/or damage to product or property. Please retain instructions for future reference.



Lever Action Bucket Pump

Description

Lever Action Bucket pump is used for transferring transmission differentials & heavier oils from open cover drums

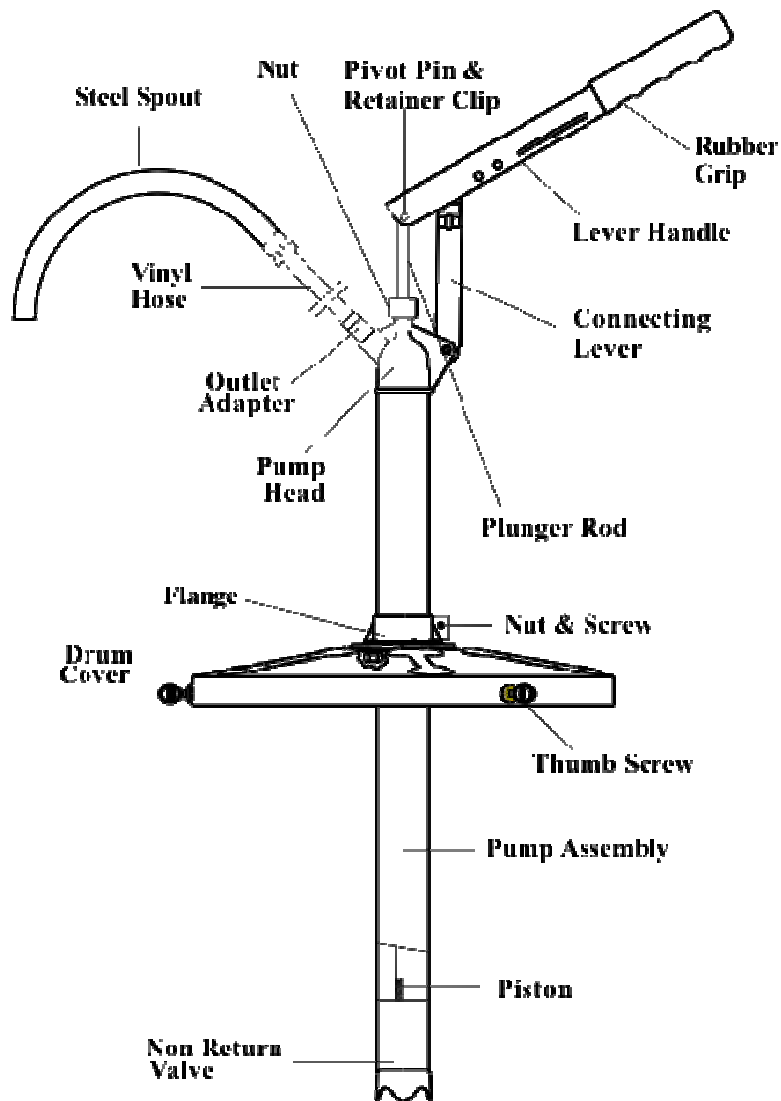


Figure 1

Specifications and Dimensions

Model	Drum Capacity	Pump Length	Drum Cover Diameter	Delivery
5NUD5	5 gallons	18"	12"	4 oz / stroke



Lever Action Bucket Pump

General Safety Information

Always wear safety glasses when using Lever Action barrel pump. Keep work area clean and remove any excess grease from tools, hands, and clothing after use. Do not use barrel pump whip hose for other applications or at pressure levels above rated pressures.

▲ CAUTION *If excess oil is left on the floor, tools or equipment, a slippery surface will be created.*

▲ WARNING *Never use this pump with water based fluids, chemicals and acids.*

NOTE: The pump is made form plated steel components. It should never be used to transfer fluids that may cause the pump to rust.

Pump comes complete with fuel resistant PVC Hose with Steel spout, Drum cover & pump units.

Assembly

1. Make sure that the drum cover sits firmly on the container. Tighten the 3 thumb screws onto the drum cover assembly to fix the drum cover firmly on to the container.
Note: Tighten the thumb screw evenly on to the container (only hand tightens the thumb screws).
2. Pull the plunger rod of piston sub assembly up and attach the lever handle to the piston rod using the pivot pin and retainer clip.
3. Push the pump tube assembly through the die cast flange of the drum cover and push down until the pump tube rests on to the base of the container.
Note: make sure the tube assembly touches the base of the container
4. Tighten the machine screw and the hex nut in the flange assembly to hold the pump assembly firmly in place.

Warranty

LIMITED ONE-YEAR WARRANTY

Should this product fail to perform satisfactorily due to a defect or poor workmanship within ONE YEAR from the date of purchase, return it to the place of purchase and it will be replaced, free of charge. Incidental or consequential damages are excluded from this warranty.

Note: Do not over tighten the screw and nut.

5. Screw the adapter on to the outlet pump head.
Note: Do not over tighten the adapter & use a thread sealant to prevent leakage.
6. Screw on the hose assembly with hose clamp on to the other end of the adapter fitted on the pump head.
Note: Make sure the hose clamp is firmly seated over the hose assembly and adapter.

Operation

1. Start the pump by moving the lever handle.
2. If the pump needs priming put some oil in the hose outlet of the pump and start operating the lever handle.
3. While installing the pump pierce open the hole on the drum cover using a pin punch.
4. When the pump is not in use, place the hose assembly in to the hole provided on the drum cover.
5. Lever handle has 3 holes for attaching to the connecting lever. Pump connecting lever comes pre-fitted in the middle hole of lever handle. Position of this can be changed easily with help of retainer clip based on viscosity of fluid used , which facilitates ease of use.

Wetted components

Steel, Aluminum, Zinc, Brass, NBR, PVC

Recommended Use

Transmission, differentials and heavier oils

Do not use with

Water based & other corrosive media



Lever Action Bucket Pump

For Repair Parts, call 1-800-323-0620
 24 hours a day – 365 days a year

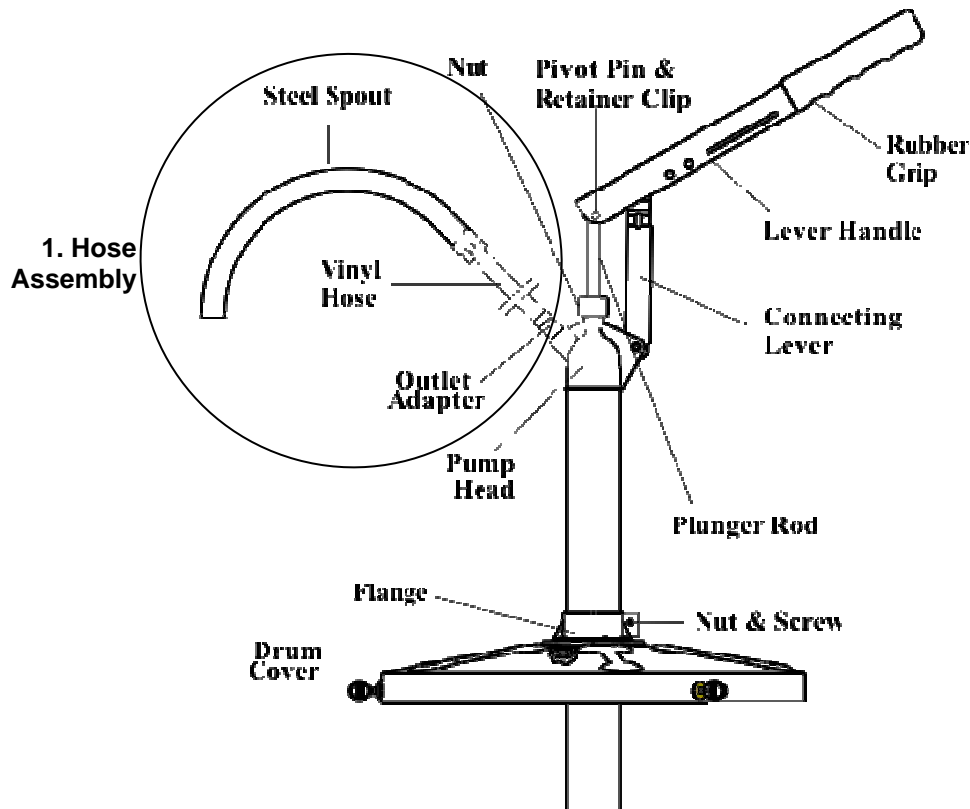


Figure 2 – Repair Parts Illustration for Model 5NUD5

Repair Parts List

Reference Number	Description	Part Number	Qty.
1	Hose Assembly	T TSAHOS48BLPG	1

Manufactured for Grainger International, Inc.
 100 Grainger Pkwy., Lake Forest IL 60045 U.S.A.

