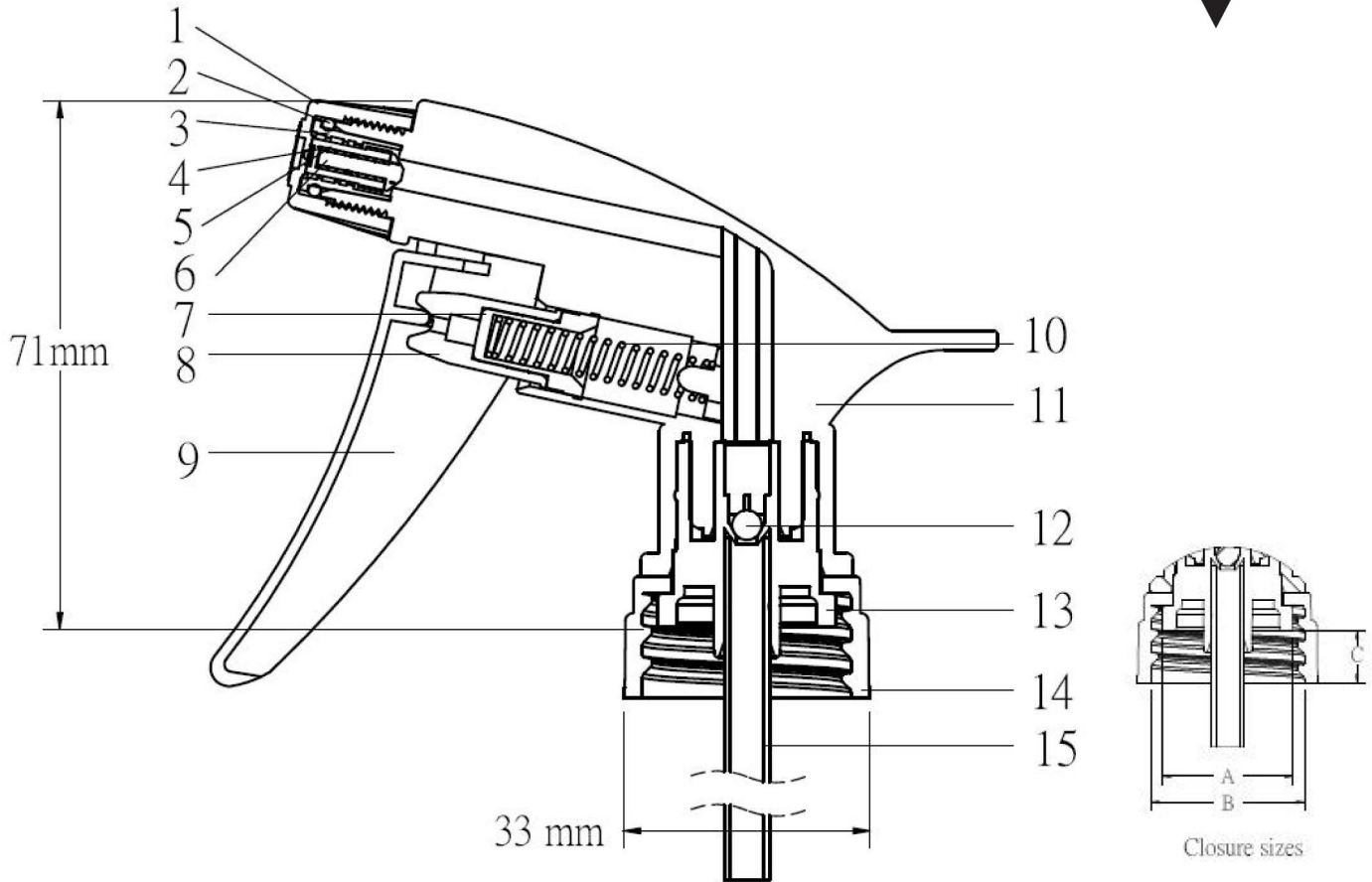


3U594



No.	Component	Material	No.	Component	Material
1	Nozzle Cap	PP	9	Trigger	PP
2	O-Ring	NBR	10	Spring	SS#304
3	Collar	PP	11	Body	PP
4	Spin	HDPE	12	Ball Valve	SS#316
5	Spring	SS#304	13	Intake	PP
6	Second Valve	HDPE	14	Closure	PP
7	Piston	NBR	15	Diptube	HDPE
8	Piston Base	PP			

- Output per stroke: 1.4cc +/- 0.1cc
- Durability: Over 5000 times
- Weight: 31G +/- 0.5G
- Applications: Industrial, Horticulture, Automotive, Insecticide Spray, Hair care and Cleaning, etc.

Closure Size (UNIT:MM)			
Size	A	B	C
28/400	25.3 +/- 0.05	28 +/- 0.05	9.5