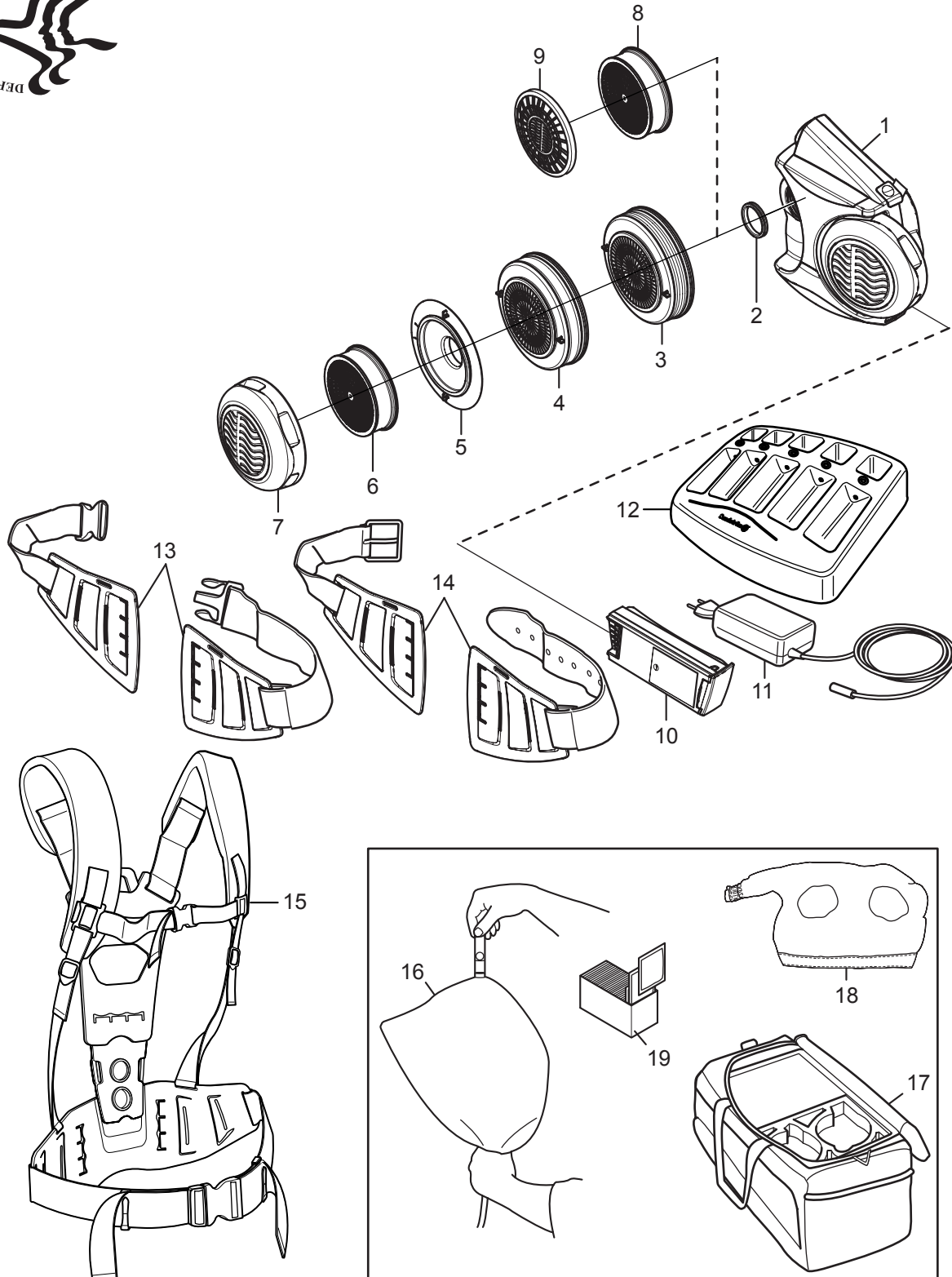


Spare parts / Accessories



No.	Description	Ordering No.
1.	Fan SR 500, bare	R06-0121
2.	Gasket	R06-0107
3.	Chemical cartridge OV/SD/CL/HC/HF, SR 532	H02-7121
4.	Chemical cartridge CL/HC/SD/FM/AM/MA, SR 533	H02-7221
5.	Filter adapter SR 511	R06-0105
6.	Particulate filter P100/HE, SR 510	H02-1312
7.	Pre-filter holder SR 512	R06-0106
8.	Particulate filter P100/HE, SR 710	H02-1512
9.	Pre-filter holder SR 5153	R01-0604
10.	HD battery, 3.6 Ah	T06-0101
11.	Battery charger SR 513	R06-0103
12.	Charging station without chargers SR 506	T06-0117
	Charging station, complete SR 516	T06-0118
13.	Belt PES SR 508	R06-0101
	Rubber belt SR 504	T06-0104
14.	Leather belt SR 503	T06-0103
	Leather belt SR 503L	T06-0107
15.	Harness SR 552	T06-0116
16.	Flow meter SR 356	R03-0346
17.	Storage bag SR 505	T06-0102
18.	Splash cover SR 514	T06-0114
19.	Cleaning tissues SR 5226, box of 50	H09-0401