



Valves, Automation & Controls

Series 5457

2-PIECE BALL VALVE

Features

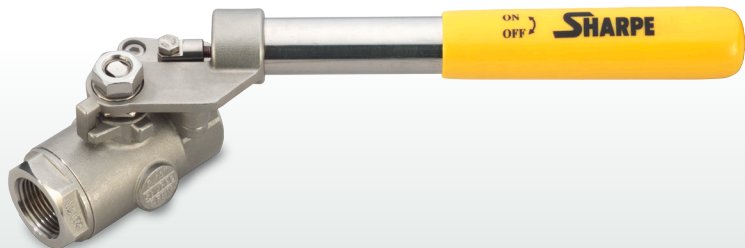
- Standard Port
- 2000 CWP (1/4"-1")
1500 CWP (1 1/4"-2")
150 WSP with RTFE Seats
250 WSP with Nova Seats
- Carbon Steel ASTM A216 WCB or
316 Stainless Steel ASTM A351 CF8M
- Threaded Ends
- Blow-Out Proof Stem
- Lockable Lever Handle

Applicable Standards

- Threaded Ends ASME B16.11
- Shell and Seat Pressure Test ASME B16.34

Options

- Lockable Oval Handle
- Spring Return Handle
- Stem Extension, 2-1/2", Non-Locking

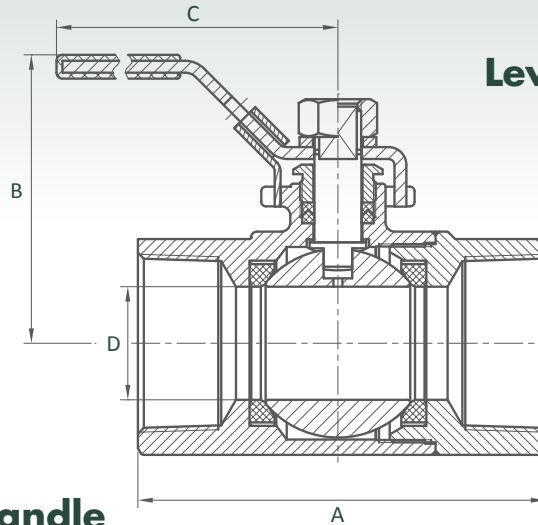




Valves, Automation & Controls

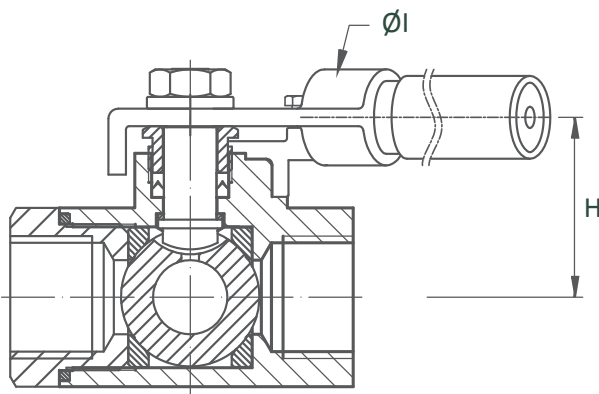
Dimensions

Series 5457 2-PIECE BALL VALVE

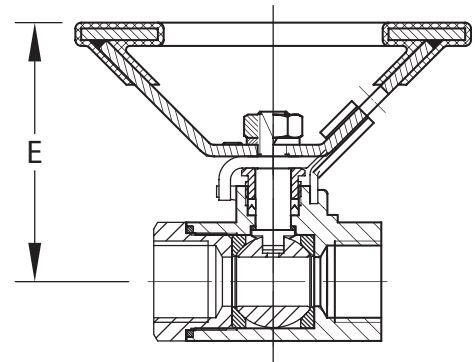
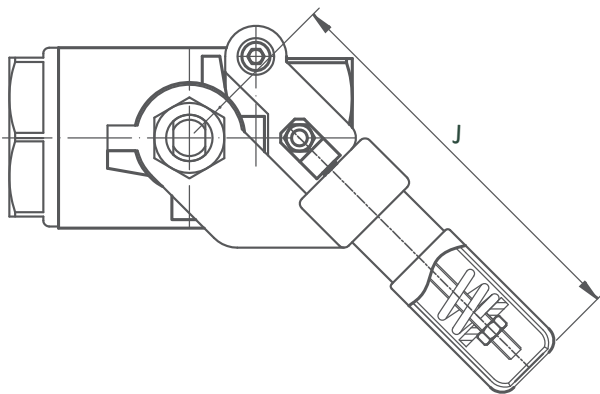
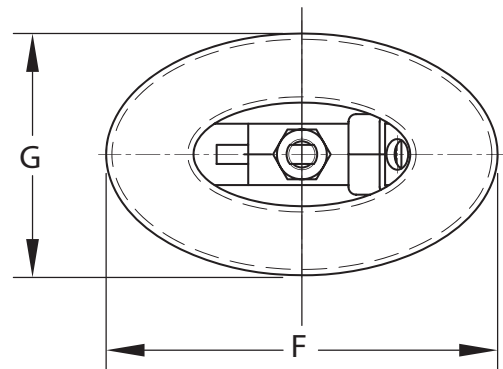


Lever Handle

Spring Return Handle



Oval Handle



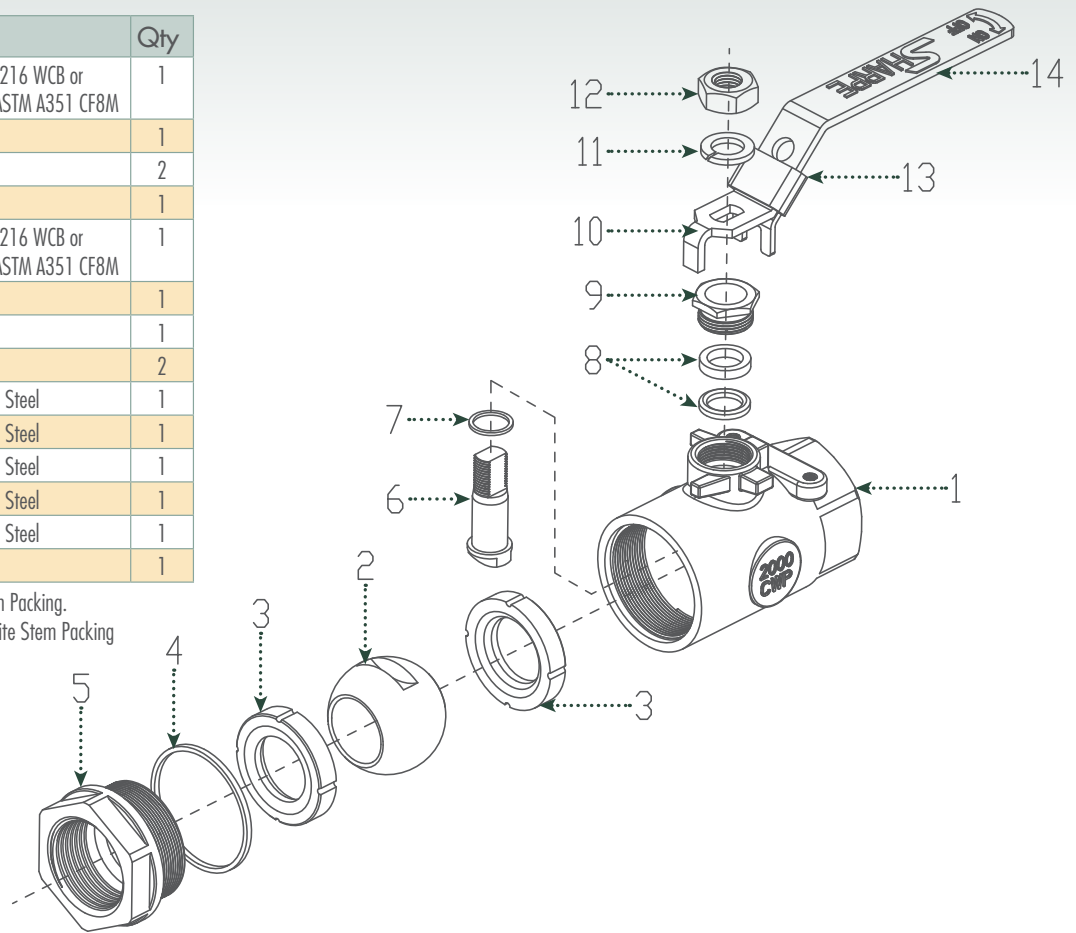
Dimensions (Inches)

Size	A	B	C	D	E	F	G	H	ØI	J
1/4	2.25	2.13	3.94	0.46	2.56	2.48	4.00	1.25	1.14	7.24
3/8	2.25	2.13	3.94	0.50	2.56	2.48	4.33	1.25	1.14	7.24
1/2	2.32	2.13	3.94	0.50	2.56	2.48	4.00	1.25	1.14	7.24
3/4	3.12	2.50	4.88	0.69	2.95	2.48	4.00	1.56	1.14	7.24
1	3.40	2.66	4.88	0.88	3.11	2.48	4.00	1.70	1.14	9.21
1-1/4	4.08	3.47	5.75	1.00	3.89	3.19	5.20	2.22	1.14	12.99
1-1/2	4.35	3.63	5.75	1.26	4.02	3.19	5.20	2.41	1.14	12.99
2	5.39	3.82	5.75	1.50	4.20	3.19	5.20	2.59	1.14	12.99

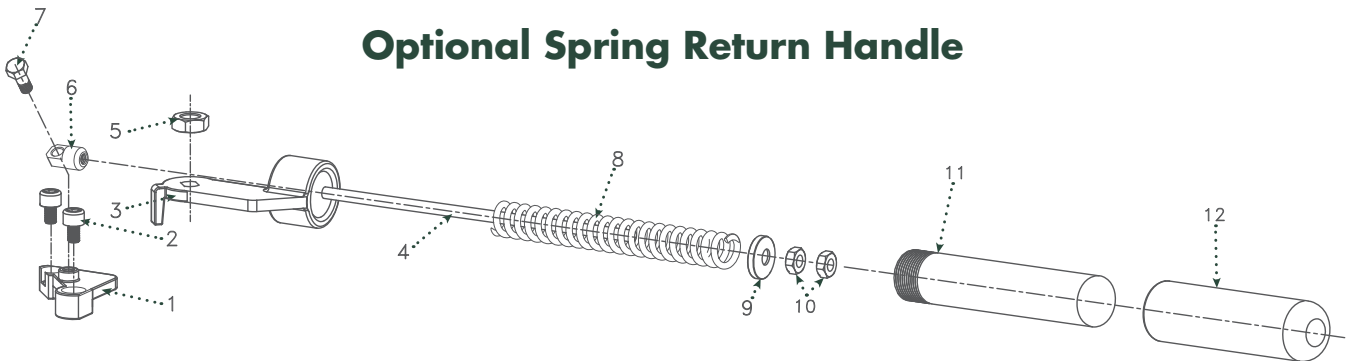
Parts & Materials

No.	Part Name	Material	Qty
1	Body	Carbon Steel ASTM A216 WCB or 316 Stainless Steel ASTM A351 CF8M	1
2	Ball	316 Stainless Steel	1
3	Seat*	RTFE / Nova	2
4	Body Seal*	PTFE/Graphite	1
5	End Piece	Carbon Steel ASTM A216 WCB or 316 Stainless Steel ASTM A351 CF8M	1
6	Stem	316 Stainless Steel	1
7	Thrust Bearing	PTFE	1
8	Stem Packing*	PTFE / Graphite	2
9	Packing Nut	300 Series Stainless Steel	1
10	Handle	300 Series Stainless Steel	1
11	Lock Washer	300 Series Stainless Steel	1
12	Handle Nut	300 Series Stainless Steel	1
13	Locking Device	300 Series Stainless Steel	1
14	Handle Sleeve	PVC	1

*RTFE Seats come with PTFE Seals and PTFE Stem Packing.
Nova Seats come with Graphite Seals and Graphite Stem Packing



Optional Spring Return Handle

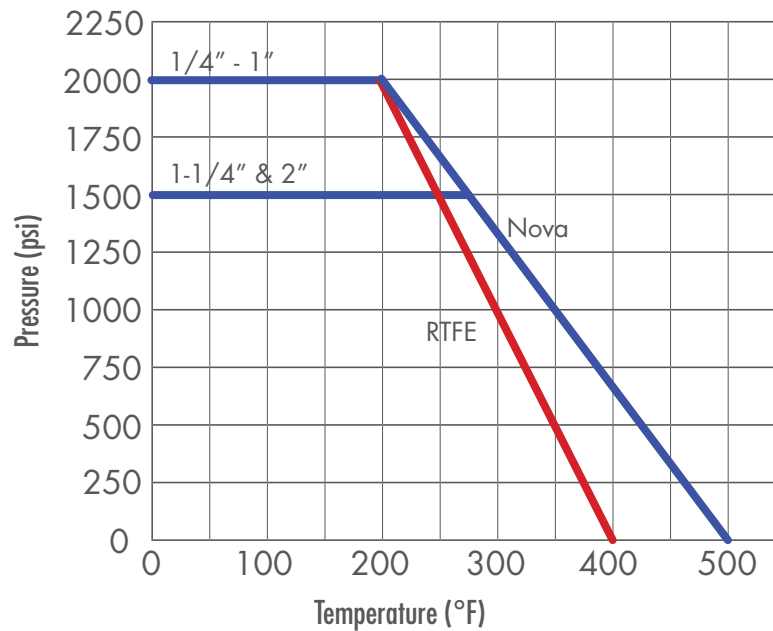


No.	Part Name	Material	Qty
1	Handle Gland	304 Stainless Steel	1
2	Socket Screws	300 Series Stainless Steel	2
3	Head Cap	304 Stainless Steel	1
4	Threaded Rod	300 Series Stainless Steel	1
5	Nut	300 Series Stainless Steel	1
6	Binder Nut	300 Series Stainless Steel	1
7	Machine Screws	300 Series Stainless Steel	1
8	Spring Coil	Carbon Steel	1
9	Flat Washer	300 Series Stainless Steel	1
10	Hex Nut	300 Series Stainless Steel	2
11	Handle Pipe	304 Stainless Steel	1
12	Handle Sleeve	PVC	1

Technical Information

Size	C _v	Weight (lbs.)
1/4	6	0.7
3/8	6	0.7
1/2	9	0.7
3/4	24	1.4
1	35	1.8
1-1/4	47	3.2
1-1/2	81	4.3
2	105	6.1

Pressure - Temperature Ratings



How To Order

Size	Series	Body	Seat	Options
1/4	5457	4 Carbon Steel	R RTFE	OH Oval Handle
3/8		6 Stainless Steel	N Nova	DMH Spring Return Handle
1/2				
3/4				
1				
1-1/4				
1-1/2				
2				

Example: 1/4 +5457 + 6 + R + = 1/4"-5457-6-R