



Valves, Automation & Controls

Series 3903

3-PIECE BALL VALVE

Design Features

- Full Port
- 1000 CWP
- Carbon Steel ASTM A216 WCB or 316 Stainless Steel ASTM A351 CF8M
- Threaded or Socket Weld* Ends
- Blow-Out Proof Stem
- Lockable Lever

Applicable Standards

- Socket Weld and Threaded Ends ASME B16.11
- Shell and Seat Tests ASME B16.34

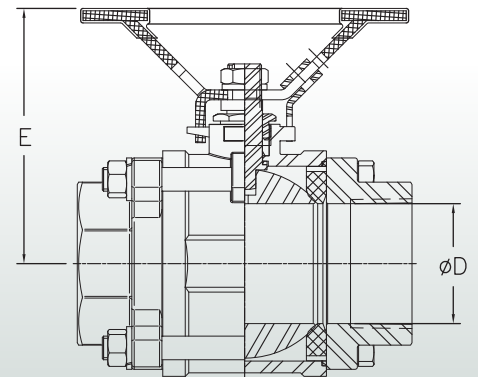
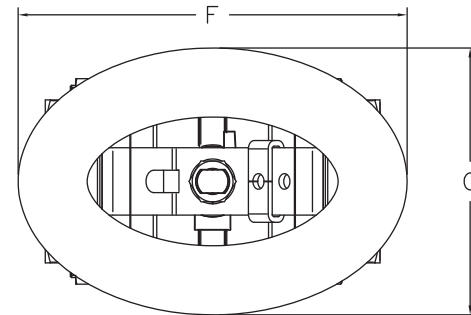
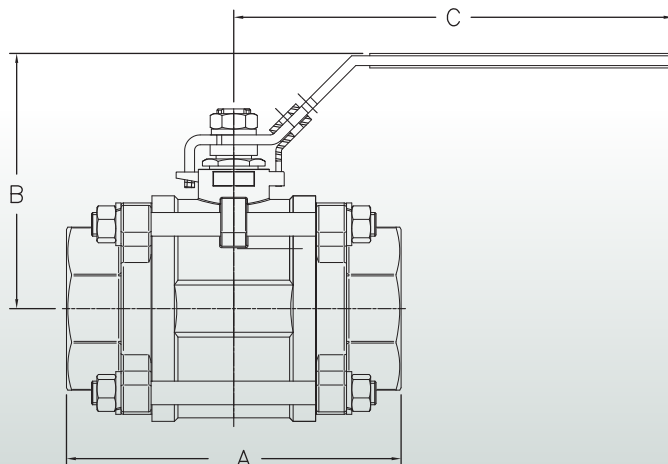
Options

- Lockable Oval Handle
- Stem Extensions, Non-Locking

Dimensions

Size	A	B	C	∅D	E	F	G
1/4	2.22	1.85	4.02	0.41	2.68	4.02	2.48
3/8	2.30	1.85	4.02	0.50	2.68	4.02	2.48
1/2	2.46	2.38	5.07	0.59	2.68	4.02	2.48
3/4	2.87	2.50	5.07	0.79	3.01	4.02	2.48
1	3.32	2.94	6.03	0.98	3.62	5.20	3.19
1-1/4	3.76	3.30	6.03	1.26	3.84	5.20	3.19
1-1/2	4.47	3.63	7.33	1.50	4.09	5.20	3.19
2	5.23	3.86	7.33	1.97	4.31	5.20	3.19

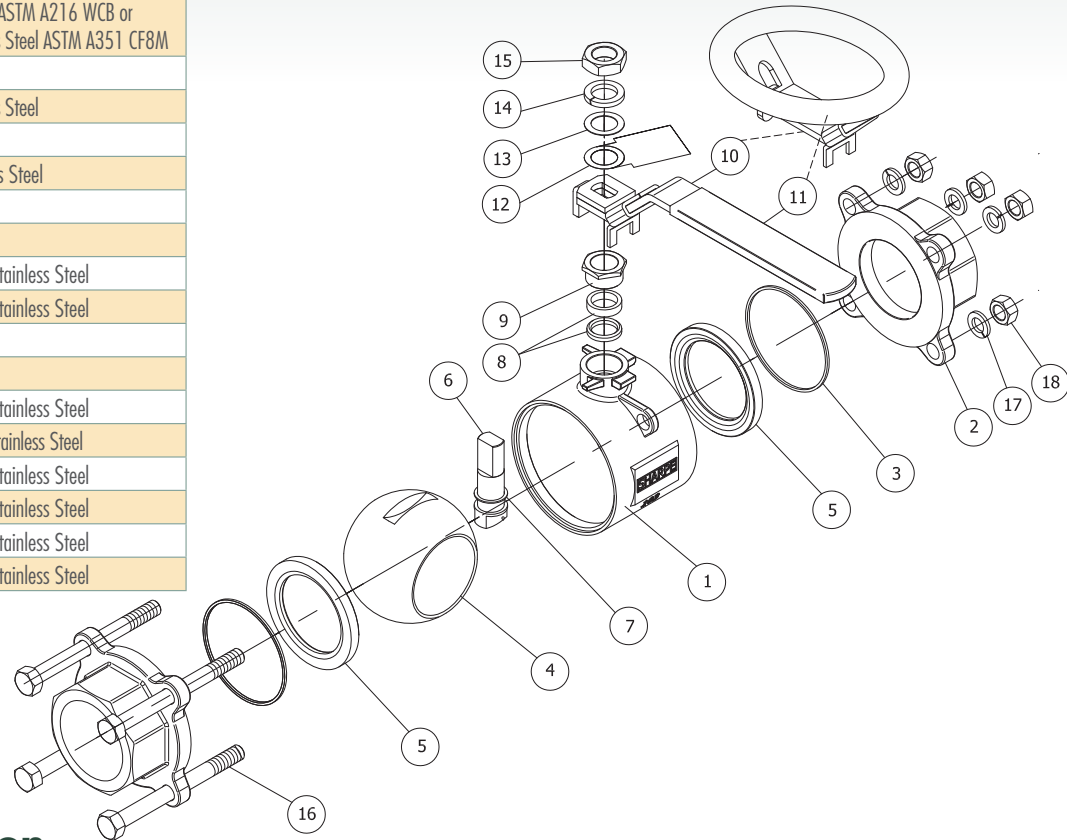
Dimensions (Inches)



* Valves with Welded Ends supplied with extra set of PTFE Body Seals

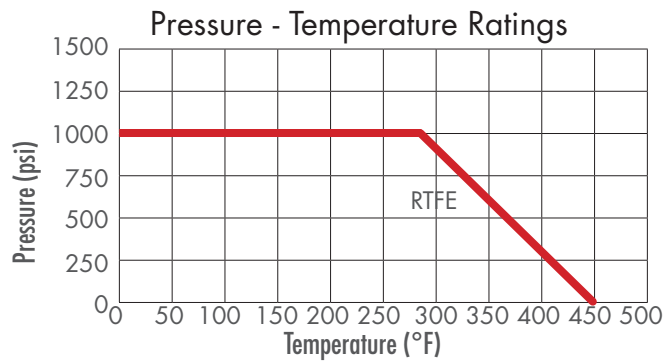
Parts & Materials

No.	Part Name	Qty	Material
1	Body	1	Carbon Steel ASTM A216 WCB or 316 Stainless Steel ASTM A351 CF8M
2	End Piece	2	Carbon Steel ASTM A216 WCB or 316 Stainless Steel ASTM A351 CF8M
3	Body Seal	2	PTFE
4	Ball	1	316 Stainless Steel
5	Seat	2	RTFE
6	Stem	1	316 Stainless Steel
7	Thrust Bearing	1	PTFE
8	Stem Packing	2	PTFE
9	Gland Packing	1	300 Series Stainless Steel
10	Handle	1	300 Series Stainless Steel
11	Handle Sleeve	1	PVC
12	Name Tag	1	Coated Paper
13	Flat Washer		300 Series Stainless Steel
14	Lock Washer	1	300 Series Stainless Steel
15	Handle Nut	1	300 Series Stainless Steel
16	Bolt	4	300 Series Stainless Steel
17	Lock Washer	4	300 Series Stainless Steel
18	Nut	4	300 Series Stainless Steel



Technical Information

Size	Cv	Weight (lbs)
1/4	20	0.6
3/8	25	0.6
1/2	28	1.0
3/4	50	1.4
1	70	1.8
1-1/4	112	2.8
1-1/2	170	4.2
2	395	7.3



How to Order

Size	Series	Body & Ends	Ends	Options
1/4	3903	4 Carbon Steel	TE Threaded	OH Oval Handle
3/8		6 316 Stainless Steel	SW Socket Weld	NLS Stem Extension, 2-1/2", Non-Locking
1/2				
3/4				
1				
1-1/4				
1-1/2				
2				

Example: 1/4 + 3903 + 6 + TE + = 1/4"-3903-6-TE