

Please read and save these instructions. Read carefully before attempting to assemble, install, operate or maintain the product described. Protect yourself and others by observing all safety information. Failure to comply with instructions could result in personal injury and/or property damage! Retain instructions for future reference.

Dayton® Propane Construction Heater

Description

Dayton Models 3VE54D, 3VE55C, 3VE57D and 3VE58C heaters are 30,000 to 150,000 BTU/Hr construction heaters. These heaters use propane gas for combustion, and electricity to run the fan.

It is primarily intended for temporary heating of well ventilated buildings under construction, alteration or repair.



Figure 1

Specifications

GENERAL SPECIFICATIONS

Model	Type of Gas	Input Rating	Minimum Pressure	Manifold Pressure	Gas Consumption	Size L x W x H (Inches)	Weight Lbs.
3VE54D	Propane	30,000 to 60,000 BTU/Hr	5 PSIG	11" W.C.	1.4 to 2.8 Lbs/Hr	19.3 x 8.3 x 15.2	14.3
3VE55C	Propane	40,000 BTU/Hr	5 PSIG	11" W.C.	1.9 Lbs/Hr	19.3 x 8.3 x 15.2	13.7
3VE57D	Propane	70,000 to 125,000 BTU/Hr	5 PSIG	11" W.C.	3.3 to 5.8 Lbs/Hr	25.6 x 12.7 x 15.6	20.8
3VE58C	Propane	120,000 to 150,000 BTU/Hr	5 PSIG	11" W.C.	5.6 to 7.0 Lbs/Hr	25.6 x 12.7 x 15.6	21.2

ELECTRICAL SPECIFICATIONS

Model	Electrical Input	Amperage	Fan RPM	Ignition	Spark
3VE54D	120 V, 60 Hz	.65	3570	Continuous Spark	0.16"
3VE55C	120 V, 60 Hz	.68	3550	Piezo/Manual Spark	0.16"
3VE57D	120 V, 60 Hz	.70	3580	Continuous Spark	0.16"
3VE58C	120 V, 60 Hz	.70	3580	Continuous Spark	0.11"

Table of Contents	Page
Description	1
Specifications.....	1
Unpacking	2
Product Features.....	2
General Safety Information.....	2-3
Operation	3-4
Refilling the Propane Gas Tank	3
Leak Checking and Locating the Heater	4
Lighting and Shutdown Instructions ..	4
Test Firing Heater	4
Wiring Diagrams.....	5-6
Repair Parts List.....	8
Repair Parts Illustration	9
Troubleshooting Chart.....	10
Warranty	10

SIZE AND CAPACITY OF PROPANE GAS CYLINDERS

Temperature (F) at Tank	Number of Tanks Needed		
	40,000-60,000 BTU/Hr	125,000 BTU/Hr	150,000 BTU/Hr
32	1	2	2
20	1	2	2
10	1	3	3
0	1	3	3
-10	2	Use Larger Tank	Use Larger Tank
-20	2	Use Larger Tank	Use Larger Tank

Chart above shows number of 100 pound tanks needed to operate heaters at a given temperature. Less gas is vaporized at lower temperatures. You may need two or more 100 pound tanks, or one larger tank in colder weather. Your local propane gas dealer will help you select the proper supply system.

Dayton® Propane Construction Heater

Unpacking

1. Remove all packing items applied to heater for shipment. Keep plastic cover caps attached to inlet connector and hose/regulator assembly for storage.
2. Remove all items from carton.
3. Check all items for shipping damage. If heater is damaged, promptly inform dealer where you purchased the heater.

Product Features

- Portable, stable and fully assembled.
- Wind resistant and rain protected.
- Continuous spark ignition or piezo spark ignition.
- 100% safety shut-off system.
- Adjustable input ratings.

PROPANE INFORMATION

The Propane (LP) gas tank must also be equipped with the following:

- A collar to protect the gas valve.
- A shut-off valve terminating a Propane gas cylinder valve outlet as specified in the American National Standard for Compressed Gas Cylinder Valve Outlets and Inlet Connections.
- A safety relief valve having direct communications with the vapor space of the tank.
- An arrangement of vapor withdrawal.

NOTE: The Propane (LP) gas pressure regulator and hose assembly supplied with this heater must be used without alteration.

General Safety Information

▲ DANGER *Indicates an imminently hazardous situation which, if not avoided, WILL result in death or serious injury.*

▲ WARNING *Indicates a potentially hazardous situation which, if not avoided, COULD result in death or serious injury.*

▲ CAUTION *Indicates a potentially hazardous situation which, if not avoided, MAY result in minor or moderate injury.*

▲ WARNING **GENERAL HAZARD WARNING:** *Failure to comply with the precautions and instructions provided with this heater can result in death, serious bodily injury, and property loss, or damage from hazards of fire, explosion, burn, asphyxiation, carbon monoxide poisoning, and/or electrical shock. Only persons who can understand and follow these instructions should use or service this heater. If you need assistance or heater information such as an instruction manual, labels, etc. contact the manufacturer.*

▲ WARNING **FIRE, BURN, INHALATION AND EXPLOSION HAZARD:** *Keep solid combustibles such as building materials, paper, or cardboard, at a safe distance away from heater as recommended by the instructions. Never use the heater in spaces which do or may contain volatile or airborne combustibles or products such as gasoline, solvents, paint thinner, dust particles, or unknown chemicals.*

▲ WARNING *Not for home or recreational vehicle use.*

Consumer: Retain these instructions for future reference.

▲ DANGER *Improper use of this heater can result in serious injury or death from burns, fire, explosion, electrical shock and /or carbon monoxide poisoning.*

This heater is designed as a construction heater in accordance with CSA 2.14b-2009, ANS Z83.7b-2009. Other standards govern the use of fuel gases and heating products for specific uses. Your local authority can advise you about these. The primary purpose of construction heaters is to provide temporary heating of buildings under

construction, alteration, or repair. Properly used, the heater provides safe economical heating. Products of combustion are vented into the area being heated.

▲ WARNING *Do not operate this heater until you read and thoroughly understand the safety and operating instructions. Failure to comply with the precautions and instructions provided with this heater can result in death, serious injury, property loss, or damage from fire, explosion, burns, asphyxiation, or carbon monoxide poisoning. Only persons who can understand and follow the instructions should use or service heater.*

California Proposition 65 Warning: *Fuels used in gas or oil fired appliances and the products of combustion of such fuels, contain chemicals known to the State of California to cause cancer, birth defects or other reproductive harm. This product contains chemicals, including lead and lead compounds, known to the state of California to cause cancer, birth defects or other reproductive harm. Wash hands after handling.*

▲ WARNING *Not for home or recreational vehicle use. The hose assembly shall be protected from traffic, building material and contact with hot surfaces both during use and while in storage.*

IMPORTANT: Read this User's Manual carefully and completely before attempting to operate or service this heater. Improper use of the heater can cause serious injury or death from fire, explosion and carbon monoxide poisoning.

Every possible circumstance that may involve a hazard cannot be anticipated. The warnings in this manual and attached to the unit are therefore not all-inclusive. If a procedure, work method or operating technique not specifically recommended by Dayton is used, you must be sure it is safe for you and others. You should also insure that equipment

Models 3VE54D, 3VE55C, 3VE57D and 3VE58C

General Safety Information (Continued)

will not be damaged or made unsafe by the operating or maintenance method you choose. CHECK WITH YOUR LOCAL FIRE SAFETY AUTHORITY IF YOU HAVE ANY QUESTIONS ABOUT APPLICATIONS. This heater is designed and approved for use as a construction heater under ANSI Z83.7.

Other standards govern the use of fuel gasses and heat producing products in specific applications. Your local authority can advise you of these.

This is a direct-fired, forced-air construction heater for either indoor or outdoor use. It's intended use is primarily for the temporary heating of buildings under construction, alteration or repair. All of the products of combustion generated by this heater are forced through the heater and released into the area being heated. This heater operates at approximately 98%+ combustion efficiency, but still produces small amounts of carbon monoxide. Humans can tolerate small amounts of carbon monoxide for short periods. Carbon monoxide can build up in a heated space, and failure to provide adequate ventilation could result in poisoning or death.

IMPORTANT SAFETY INFORMATION

- Children should be kept away.
- Always maintain proper clearance from combustible materials. Minimum clearance should be:
Sides - 24", Top - 36"; Front - 72".
- Heater must be placed on level and solid footing.
- Never place anything, including clothes or other flammable items on heater.

- Do not modify heater, or operate a heater that has been modified.
- Adequate clearance for accessibility, combustion and ventilation (air supply) must be maintained at all times when heater is operating.
- Service and repair should be performed by a qualified service person. The heater should be inspected before each use, and at least annually by a qualified person. More frequent cleaning may be required as necessary. Do not service heater while hot or operating.
- Never connect heater to an unregulated gas supply.
- This heater is shipped from the factory for use with LP (propane) gas only. Do not convert to any other gas. Installation must conform to local codes, or in their absence, with the standard for the Storage and Handling of Liquefied Petroleum Gases ANSI/NFPA 58.
- Use only the regulator and hose assembly provided with this heater. Inspect the regulator/hose assembly prior to each use of the heater. If there is excessive abrasion or wear, or if the hose is cut, replace it with the proper assembly shown in the parts list, prior to using the heater.
- Gas supply connections should be checked by using a 50/50 soap and water solution. Never use a flame to check for gas leaks.
- Locate propane cylinder at least 6 feet from the heater, and do not direct heater discharge towards the gas cylinder unless it is at least 20 feet from the heater.

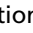




- The electrical connection and grounding must comply with the National Electrical Code, ANSI/NFPA 70. Use only a properly grounded three (3) prong receptacle.
- Do not restrict air inlet or outlet areas of the heater.

Operation

REFILLING THE PROPANE GAS TANK

ALL NEW CYLINDERS MUST BE PURGED BEFORE THE FIRST FILLING.

▲ WARNING *Purging and filling of LP tanks must be performed by personnel who have been thoroughly trained in accepted LP gas industry procedures. Failure to follow these instructions may result in explosion, fire, severe personal injury or death.*

- Turn heater gas valve knob and gas tank valve to OFF  position.
- Propane tank valve equipped with old style fitting has LEFT-HANDED THREADS. Turn fitting CLOCKWISE  to loosen. Protect this fitting when disconnected from tank.
- Have tank filled by your local Propane gas supplier.
- Some Propane tanks have a bleed-off valve. This valve should be inspected for leaks after each filling of the tank. Turn the valve clockwise  to close.
- Fasten full Propane tank and connect proper fitting to tank valve by turning COUNTERCLOCKWISE .
- With heater gas valve knob still in OFF  position, turn ON tank valve and check for leaks with soap solution.

Dayton® Propane Construction Heater

Operation (Continued)

▲ CAUTION *Propane is safe to use when properly handled. Careless handling of the Propane gas tank could result in a fire and/or an explosion. Therefore:*

- Always keep tank/cylinder securely fastened and in an upright position.
- Avoid tipping the tank on its side when connected to a regulator, since this may cause damage to the diaphragm in the regulator.
- Handle valves with care.
- Never connect an unregulated propane tank to a construction heater.
- Do not subject propane tank to excessive heat.
- Tightly close the gas shutoff valve on the propane tank after each use.
- All fittings must be protected when disconnected from the LP tank.
- Never store a propane gas tank inside a building or in the vicinity of any gas burning appliance.

▲ CAUTION *The disconnected tank must never be stored in a building, garage or any other enclosed area.*

LEAK CHECKING

- Check all connections with a 50/50 soap and water solution to be sure they are tight and leak proof.
- The installation of your heater must meet all local codes and/or gas utility requirements, or in the absence of local codes, with the National Fuel Code ANSI Z223.1.
- The minimum clearances to combustible construction materials shown on Page 3 must be maintained at all times.

LIGHTING INSTRUCTIONS

NOTE: This heater uses a continuous spark ignition system. This unit will continue to make a clicking/ticking sound at all times before ignition, after ignition and during operation, regardless of valve knob positioning.

1. Connect power cord to a properly grounded three (3) prong 120V, 60 Hz, extension cord.
Extension Cord Wire Requirements:
6 to 10 feet (1.8 to 3 meters) long, use 18 AWG conductor.
11 to 100 feet (3.4 to 30.5 meters) long, use 16 AWG conductor.
101 to 200 feet (30.8 to 61 meters) long, use 14 AWG conductor.
2. Turn gas valve clockwise to OFF position.
3. Wait five (5) minutes for any gas to clear. Smell for gas; if you do not smell gas, go to Step 4.
4. Push in and turn gas control knob counterclockwise to LOW/IGN position. This will light the burner. If needed, keep pressing control knob until the burner lights and keep pressing and turning from OFF to LOW/IGN on Piezo electric spark models (HIGH/IGN on Model 3VE55C).
5. Keep the valve knob depressed for at least 30 seconds after lighting the burner. After 30 seconds, release valve knob.
6. If burner does not stay lit, repeat lighting procedure.
7. When burner stays lit, turn gas valve knob counterclockwise to desired setting (All models except 3VE55C).

SHUTDOWN INSTRUCTIONS

To shut off heater:

1. Turn gas valve knob clockwise to OFF position.
2. Turn gas supply OFF by turning Propane tank valve clockwise to close.
3. Disconnect the power cord.

TEST FIRING THE HEATER

Test fire your construction heater following the lighting instructions applicable to the gas control system employed.

Leak test all gas connections with 50/50 soap and water solution prior to start-up. Soap bubbles indicate a gas leak. DO NOT use a match or flame to test for gas leaks.

NOTE: Heater surface temperature must be cold before initiating service, cleaning or storage.

STORAGE

Never store a propane gas tank inside of a building or in the vicinity of any gas or oil burning appliance. When the propane tank is not disconnected from the construction heater, the gas tank and heater must be stored outdoors in a well ventilated area, out of the reach of children. If for any reason the heater is to be stored indoors, the tank must first be disconnected and removed from the heater base assembly and stored outdoors in a well ventilated area, out of the reach of children, in accordance with the Standard for the Storage and Handling of Liquefied Gasses ANSI/NFPA 58, the latest edition. The plastic tank valve plug supplied with your tank must be tightly installed when the tank is disconnected from the heater.

NOTE: Installation and repair should be done by a qualified service person.

Models 3VE54D, 3VE55C, 3VE57D and 3VE58C

E
N
G
L
I
S
H

Wiring Diagrams

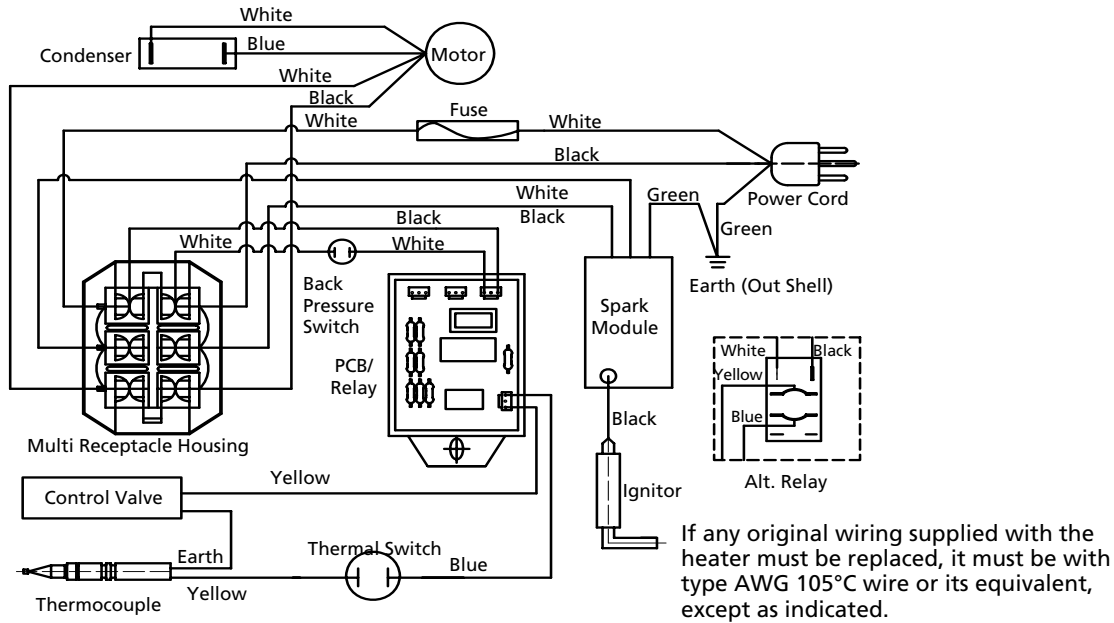


Figure 2 – Continuous Spark Models 3VE57D and 3VE58C

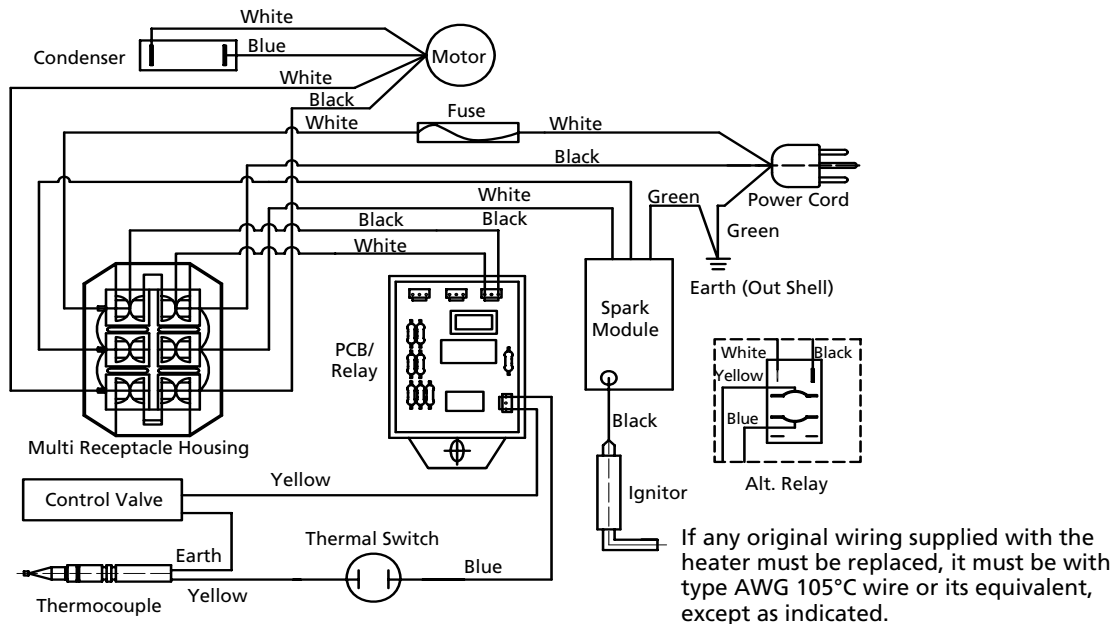
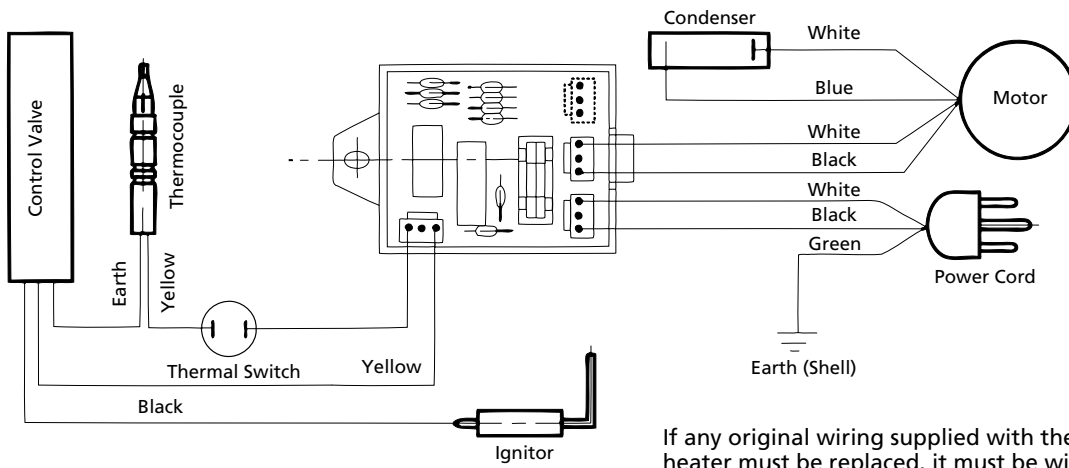


Figure 3 – Continuous Spark Model 3VE54D

Dayton® Propane Construction Heater

E
N
G
L
I
S
H

Wiring Diagrams (Continued)



If any original wiring supplied with the heater must be replaced, it must be with type AWG 105°C wire or its equivalent, except as indicated.

Figure 4 – Piezo/Manual Spark Models 3VE55C

Models 3VE54D, 3VE55C, 3VE57D and 3VE58C

For Replacement Parts, call 1-800-323-0620

24 hours a day – 365 days a year

Please provide following information:

- Model number
- Serial number (if any)
- Part description and number as shown in parts list

Repair Parts List for Propane Construction Heater

REF NO.	DESCRIPTION	QTY	PART NO.			
			3VE54D	3VE55C	3VE57D	3VE58C
1	INNER SHELL ASS'Y	1	2304818	2304818	2304929	2304929
2	NOZZLE	1	2325121	2304829	2325123	2304944
3	FLAME HOLDER CAP	1	2325120	2304819	*2325122	*2304931
4	THERMAL SWITCH BRACKET	1	2304826	2304826	2315515	2304826
5	THERMAL SWITCH	1	2206048	2201373	2201373	2201563
6	NOZZLE NUT	1	2304578	2304578	2304945	2304945
7	SPARK PLUG ASSY	1	2206033	2201375	2206034	2201393
8	THERMOCOUPLE ASSY (1130/1474-425L)	1	2304885	2304885	2304885	2304885
9	GAS TUBING ASS'Y	1	2304830	2304830	2325137	2304947
10	OUTER SHELL - ORANGE	1	2305403	2305403	2305971	2305971
11	CORD WRAP (select models only)	2	N/A	N/A	2101423	2101423
12	HANDLE ASSY - BLACK	1	2101447	2101447	2101447	2101447
12.1	SCREW - HANDLE FRONT	1	2001355	2001355	2001355	2001355
12.2	SCREW - HANDLE FRONT	1	2001077	2001077	2001077	2001077
12.3	NUT - HANDLE REAR	1	2000384	2000384	2000384	2000384
13	MOTOR SUPPORT	1	2304823	2304823	2304823	2304823
13.1	BOLT-MOTOR MOUNTING	2	2001332	2001332	2001332	2001332
13.2	SLEEVE	1	2304949	2304949	2304949	2304949
14	MOTOR ASS'Y	1	2304547	2305909	2304548	2304548
14.1	MOTOR - FAN	1	2304821	2304821	2304936	2304936
15	GUARD FAN - BLACK	1	2304828	2304828	2304939	2304939
16	MOTOR BRACKET	1	2304937	2304824	2304938	2304938
17	VALVE - GAS	1	5051233	2304820	5051235	5051236
18	PRESSURE SWITCH	1	N/A	N/A	2305976	2305976
19	VALVE BRACKET	1	2304624	2304624	2304624	2304624
20	BASE ASSY - BLACK	1	2304923	2304923	2304924	2304924
21	POWER CORD ASS'Y	1	2101670	2101368	2101673	2101673
22	GAS CONNECTOR INLET	1	2304831	2304831	2304831	2304831
23	CAPACITOR	1	2201372	2201372	2301390	2201396
24	BASE LOWER -BLACK	1	2304925	2304925	2304926	2304926
25	KNOB GAS VALVE - BLACK	1	2101451	2101451	2101451	2101451
26	HEIGHT CONTROLLER - BLACK	1	2304927	2304927	2304928	2304928
27	HEIGHT CONTROL SCREW - BLACK	1	2304510	2304510	2304510	2304510
28	LEAD WIRE ASSY	1	2201371	2201371	2201371	2201371
29	SPARK MODULE	1	2201391	N/A	2201391	2201391
30	PCB ASSEMBLY	1	2201369	2201369	2201369	2201369
31	REG & HOSE ASSY - 10FT (3M)	1	5055544	5002614	5055549	TYQ-6E1-LL38-00

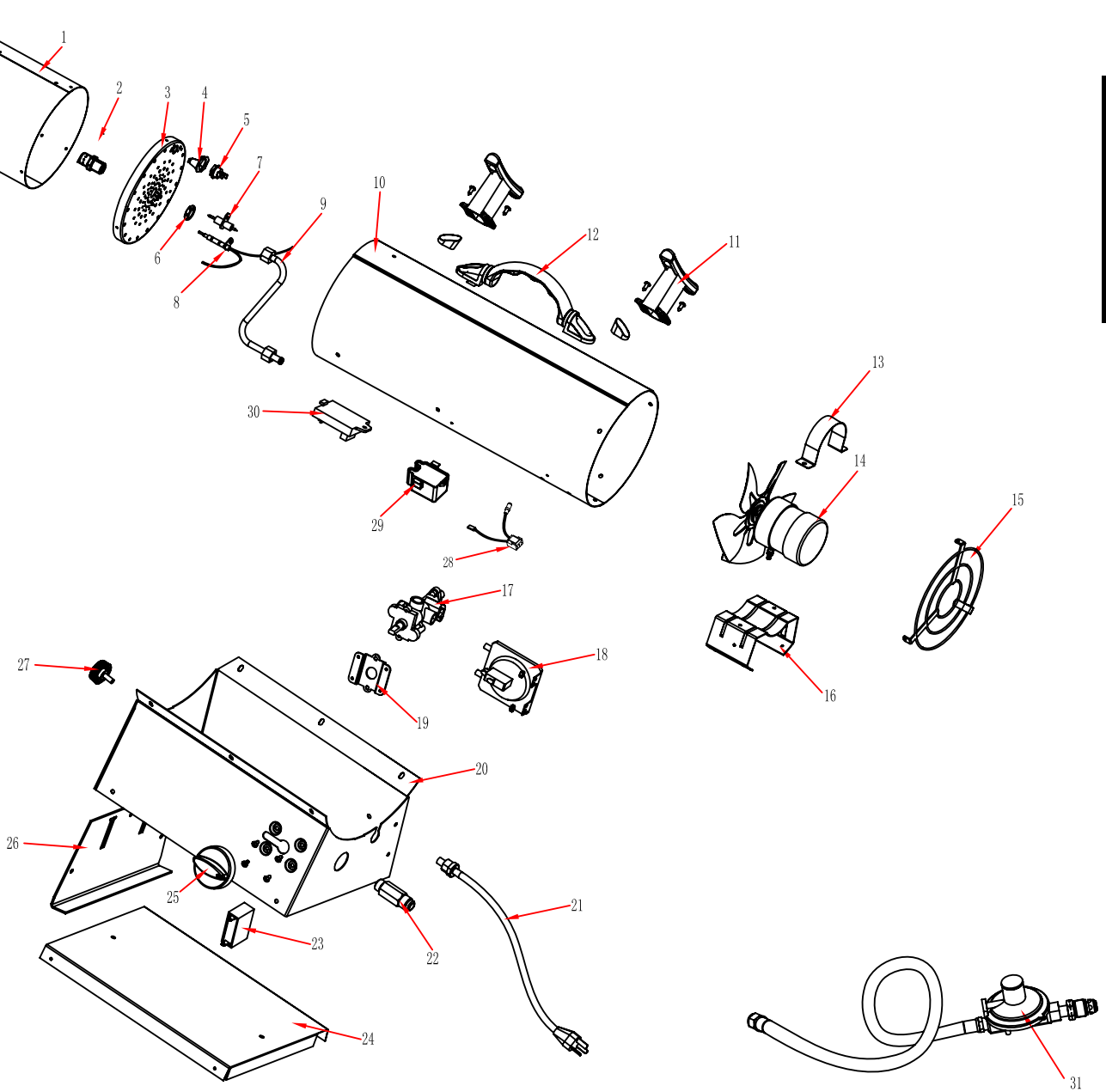
*Not shown in exploded view

For Replacement Parts, call 1-800-323-0620

24 hours a day – 365 days a year

Please provide following information:

- Model number
- Serial number (if any)
- Part description and number as shown in parts list



E
N
G
L
I
S
H

Figure 5 - Repair Parts Illustration for Propane Construction Heater

For Technical Support or Troubleshooting, Call: 1-800-323-0620



Dayton® Propane Construction Heater

Troubleshooting Chart

Symptom	Possible Cause(s)	Corrective Action
1. Control dial is off and the unit is ticking/ clicking.	1. This is normal. This heater uses a continuous spark ignition system. This unit will continue to make a clicking/ticking sound at all times before ignition, after ignition and during operation, regardless of valve knob positioning.	1. No corrective action is needed.
2. The unit is clicking/ ticking while the heater is lit.	1. This is normal. This heater uses a continuous spark ignition system. This unit will continue to make a clicking/ticking sound at all times before ignition, after ignition and during operation, regardless of valve knob positioning.	1. No corrective action is needed.
3. Fan does not turn when electrical connection is made	1. No electric power to heater 2. Fan blade contacts inside of heater housing 3. Fan blade(s) bent 4. Fan motor defective	1. Check current to electric outlet. If voltage is correct, check power cord and extension cord for cuts and breaks 2. Be sure that housing is not damaged. Make sure there are no obstructions to the fan 3. Straighten blade(s) to match others 4. Replace motor
4. Heater will not fire	1. No spark at igniter 2. Improper spark gap 3. Bad electrode	1. Check igniter wire. Reattach or tighten if loose. Check spark module. Replace if necessary. Check all electrical components 2. Set gap to .016" (.011" model 3VE58C) 3. Replace spark plug
5. Heater quits while running	1. Internal temperature too high causing limit switch to shut down operation 2. Damaged control valve 3. Dust or debris build-up inside of heater	1. If the heaters output is restricted, internal temperature becomes too high. Move heater away from any obstructions 2. Replace control valve 3. Clean inside of heater

Always be sure to follow proper maintenance procedures, by cleaning the heater once per month during regular usage, and check spark gap at least once per season.

LIMITED WARRANTY

DAYTON ONE-YEAR LIMITED WARRANTY. DAYTON® PROPANE CONSTRUCTION HEATER, MODELS COVERED IN THIS MANUAL, ARE WARRANTED BY DAYTON ELECTRIC MFG. CO. (DAYTON) TO THE ORIGINAL USER AGAINST DEFECTS IN WORKMANSHIP OR MATERIALS UNDER NORMAL USE FOR ONE YEAR AFTER DATE OF PURCHASE. ANY PART WHICH IS DETERMINED TO BE DEFECTIVE IN MATERIAL OR WORKMANSHIP AND RETURNED TO AN AUTHORIZED SERVICE LOCATION, AS DAYTON DESIGNATES, SHIPPING COSTS PREPAID, WILL BE, AS THE EXCLUSIVE REMEDY, REPAIRED OR REPLACED AT DAYTON'S OPTION. FOR LIMITED WARRANTY CLAIM PROCEDURES, SEE "PROMPT DISPOSITION" BELOW. THIS LIMITED WARRANTY GIVES PURCHASERS SPECIFIC LEGAL RIGHTS WHICH VARY FROM JURISDICTION TO JURISDICTION.

LIMITATION OF LIABILITY. TO THE EXTENT ALLOWABLE UNDER APPLICABLE LAW, DAYTON'S LIABILITY FOR CONSEQUENTIAL AND INCIDENTAL DAMAGES IS EXPRESSLY DISCLAIMED. DAYTON'S LIABILITY IN ALL EVENTS IS LIMITED TO AND SHALL NOT EXCEED THE PURCHASE PRICE PAID.

WARRANTY DISCLAIMER. A DILIGENT EFFORT HAS BEEN MADE TO PROVIDE PRODUCT INFORMATION AND ILLUSTRATE THE PRODUCTS IN THIS LITERATURE ACCURATELY; HOWEVER, SUCH INFORMATION AND ILLUSTRATIONS ARE FOR THE SOLE PURPOSE OF IDENTIFICATION, AND DO NOT EXPRESS OR IMPLY A WARRANTY THAT THE PRODUCTS ARE MERCHANTABLE, OR FIT FOR A PARTICULAR PURPOSE, OR THAT THE PRODUCTS WILL NECESSARILY CONFORM TO THE ILLUSTRATIONS OR DESCRIPTIONS. EXCEPT AS PROVIDED BELOW, NO WARRANTY OR AFFIRMATION OF FACT, EXPRESSED OR IMPLIED, OTHER THAN AS STATED IN THE "LIMITED WARRANTY" ABOVE IS MADE OR AUTHORIZED BY DAYTON.

Technical Advice and Recommendations, Disclaimer. Notwithstanding any past practice or dealings or trade custom, sales shall not include the furnishing of technical advice or assistance or system design. Dayton assumes no obligations or liability on account of any unauthorized recommendations, opinions or advice as to the choice, installation or use of products.

Product Suitability. Many jurisdictions have codes and regulations governing sales, construction, installation, and/or use of products for certain purposes, which may vary from those in neighboring areas. While attempts are made to assure that Dayton products comply with such codes, Dayton cannot guarantee compliance, and cannot be responsible for how the product is installed or used. Before purchase and use of a product, review the product applications, and all applicable national and local codes and regulations, and be sure that the product, installation, and use will comply with them.

Certain aspects of disclaimers are not applicable to consumer products; e.g., (a) some jurisdictions do not allow the exclusion or limitation of incidental or consequential damages, so the above limitation or exclusion may not apply to you; (b) also, some jurisdictions do not allow a limitation on how long an implied warranty lasts, consequently the above limitation may not apply to you; and (c) by law, during the period of this Limited Warranty, any implied warranties of implied merchantability or fitness for a particular purpose applicable to consumer products purchased by consumers, may not be excluded or otherwise disclaimed.

Prompt Disposition. A good faith effort will be made for prompt correction or other adjustment with respect to any product which proves to be defective within limited warranty. For any product believed to be defective within limited warranty, first write or call dealer from whom the product was purchased. Dealer will give additional directions. If unable to resolve satisfactorily, write to Dayton at address below, giving dealer's name, address, date, and number of dealer's invoice, and describing the nature of the defect. Title and risk of loss pass to buyer on delivery to common carrier. If product was damaged in transit to you, file claim with carrier.

**Manufactured For Dayton Electric Mfg. Co., Niles, Illinois 60714 U.S.A.
by GHP Group, Inc., Morton Grove, IL**



Por favor lea y guarde estas instrucciones. Léalas cuidadosamente antes de tratar de montar, instalar, operar o dar mantenimiento al producto aquí descrito. Protéjase usted mismo y a los demás observando toda la información de seguridad. ¡El no cumplir con las instrucciones puede ocasionar daños, tanto personales como a la propiedad! Guarde estas instrucciones para referencia en el futuro.

Calentador de Propano para Construcciones Dayton®

Descripción

Los modelos de calentador Dayton 3VE54D, 3VE55C, 3VE57D y 3VE58C son calentadores de 30,000 a 150,000 BTU/Hora para sitios de construcción. Estos calentadores utilizan gas propano para la combustión, y electricidad para hacer funcionar el ventilador.

La unidad ha sido diseñada principalmente para proporcionar calefacción temporal en edificios bien ventilados en construcción, o a los que se les están haciendo modificaciones o reparaciones.



3VE55C



3VE57D



3VE58C



3VE54D



Figura 1

CSA 2.14b-2009, ANS Z83.7b-2009

Calentador para Construcciones

Especificaciones

ESPECIFICACIONES GENERALES

Modelo	Tipo de gas	Capacidad de entrada	Presión mínima	Presión en el múltiple	Consumo de gas	Tamaño L x A x Alt (cm)	Peso kg
3VE54D	Propano	30,000 a 60,000 BTU/Hr	34.5 kPa	27.9 cm C.A.	0.64 a 1.27 kg/hr	49 x 21 x 38.6	6.48
3VE55C	Propano	40,000 BTU/Hr	34.5 kPa	27.9 cm C.A.	0.86 kg/hr	49 x 21 x 38.6	6.21
3VE57D	Propano	70,000 a 125,000 BTU/Hr	34.5 kPa	27.9 cm C.A.	1.50 a 2.63 kg/hr	65 x 32.3 x 39.6	9.43
3VE58C	Propano	120,000 a 150,000 BTU/Hr	34.5 kPa	27.9 cm C.A.	2.54 a 3.18 kg/hr	65 x 32.3 x 39.6	9.61

ESPECIFICACIONES ELECTRICAS

Modelo	Entrada eléctrica	Amperaje	RPM del ventilador	Ignición	Chispa
3VE54D	120 V, 60 Hz	0.65	3570	Chispa continua	4.1 mm
3VE55C	120 V, 60 Hz	0.68	3550	Chispa piezoeléctrica/ manual	4.1 mm
3VE57D	120 V, 60 Hz	0.70	3580	Chispa continua	4.1 mm
3VE58C	120 V, 60 Hz	0.70	3580	Chispa continua	2.8 mm

TAMAÑO Y CAPACIDAD DE LOS CILINDROS DE GAS PROPANO

Temperatura (°C) en el tanque	Número de tanques necesarios		
	40,000 a 60,000 BTU/Hr	125,000 BTU/Hr	150,000 BTU/Hr
0	1	2	2
-7	1	2	2
-12	1	3	3
-18	1	3	3
-23	2	Usar un tanque más grande	Usar un tanque más grande
-29	2		

El cuadro que aparece arriba muestra el número de tanques de 45.4 kg (100 lb) necesarios para operar los calentadores a una cierta temperatura.

Se vaporiza menos gas a temperaturas más bajas. Es posible que necesite dos o más tanques de 45.4 kg (100 lb), o un tanque más grande en climas fríos. Su distribuidor local de gas propano le ayudará a seleccionar el sistema de suministro adecuado.

Índice

	Página
Descripción	1
Especificaciones.....	1
Desempaque	2
Características del Producto.....	2
Información de Seguridad General..	2-3
Operación	3-4
Relleno del Tanque de Gas Propano .	3
Inspección de Fugas y Ubicación del Calentador.....	4
Instrucciones de Encendido y Apagado	4
Intente Encender el Calentador.....	4
Diagramas Eléctricos.....	5-6
Tabla de Identificación de Problemas .	8
Ilustración de las Partes de Reparación.....	9
Lista de Partes de Reparación	10
Garantía.....	10

Calentador de Propano para Construcciones Dayton®

Desempaque

1. Retire todos los materiales de embalaje aplicados al calentador para su envío. Mantenga montadas las tapas de plástico en el conector de entrada y en el conjunto del regulador y manguera cuando almacene la unidad.
2. Retire todos los artículos de la caja de envío.
3. Inspeccione los artículos para comprobar que no se hayan dañado durante el envío. Si el calentador está dañado, infórmele prontamente al concesionario de quien compró el calentador sobre dicho daño.

Características del Producto

- Portátil, estable y totalmente armado.
- Resistente al viento y protegido contra la lluvia.
- Ignición de chispa continua o ignición de chispa piezoeléctrica.
- Sistema de apagado 100% seguro.
- Capacidades de entrada ajustables.

INFORMACION SOBRE EL PROPANO

El tanque de gas propano (PL) también deberá estar equipado con lo siguiente:

- Un collar para proteger la válvula de gas.
- Una válvula de cierre conectada en la salida de la válvula del cilindro o tanque de gas propano según la especificación de la Norma Nacional Americana para la conexión de entradas y salidas de válvulas de cilindros de gas comprimido.
- Una válvula de alivio de seguridad con comunicación directa con el espacio de vapor del tanque.
- Una forma para retirar o sacar el vapor.

AVISO: El conjunto de la manguera y el regulador de presión de gas Propano (PL) suministrado con este calentador debe utilizarse sin hacerle ninguna alteración.

Información de Seguridad General

▲ PELIGRO Indica una situación de peligro inminente que, de no evitarse, CAUSARA la muerte o una lesión grave.

▲ ADVERTENCIA Indica una situación de posible peligro

que, de no evitarse, PODRIA causar la muerte o una lesión grave.

▲ PRECAUCION Indica una situación de posible peligro que, de no evitarse, PODRIA causar lesiones leves o moderadas.

▲ ADVERTENCIA ADVERTENCIA GENERAL DE

PELIGRO: Si no se cumple con las precauciones e instrucciones suministradas con este calentador, se puede sufrir la muerte, lesiones corporales graves, y pérdida de la propiedad o daños a la propiedad debido a los peligros de incendio, explosión, quemaduras, asfixia e intoxicación por monóxido de carbono. Sólo las personas que puedan entender y seguir estas instrucciones deben utilizar o darle servicio a este calentador. Si necesita asistencia o información sobre el calentador, tal como un manual de instrucciones, etiquetas, etcétera, comuníquese con el fabricante.

▲ ADVERTENCIA PELIGRO DE INCENDIO,

QUEMADURA, INHALACION Y EXPLOSION: Mantenga los combustibles sólidos, tales como materiales de construcción, papel, cartón a una distancia prudente del calentador según se recomienda en las instrucciones. Nunca utilice el calentador en espacios que contienen o puedan contener combustibles volátiles o en suspensión en el aire, o productos tales como gasolina, solventes, diluyentes de pintura, partículas de polvo o sustancias químicas desconocidas.

▲ ADVERTENCIA Para uso en espacios interiores y exteriores con ventilación adecuada. No ha sido diseñado para uso doméstico o en vehículos recreacionales.

Consumidor: Guarde estas instrucciones para referencia en el futuro.

▲ PELIGRO El uso inadecuado de este calentador puede ocasionar lesiones graves o la muerte debido a quemaduras, incendio, explosión, choque eléctrico y/o envenenamiento por monóxido de carbono.

Este calentador ha sido diseñado para uso en construcciones de acuerdo con la normas ANSI Z83.7/ CGA2.14. Otras normas rigen el empleo de

gases combustibles y productos de calefacción para usos específicos. Sus autoridades locales pueden asesorarle sobre esas normas. Los calentadores para construcciones están diseñados principalmente para proporcionar calefacción temporal en edificios en construcción, o a los que se les están haciendo modificaciones o reparaciones.

El calentador, usado correctamente, proporciona una calefacción económica y segura. Los productos de combustión se ventilan en el área siendo calentada.

▲ ADVERTENCIA No ha sido diseñado para uso doméstico o en vehículos recreacionales.

▲ ADVERTENCIA No haga funcionar este calentador hasta que haya leído y entendido completamente las instrucciones de seguridad y operación. Si no se cumple con las precauciones e instrucciones suministradas con este calentador, se puede sufrir la muerte, lesiones graves, pérdida de la propiedad o daños debido a un incendio, una explosión, quemaduras, asfixia o intoxicación por monóxido de carbono. Sólo las personas que puedan entender y seguir estas instrucciones deben utilizar o darle servicio a este calentador.

▲ ADVERTENCIA ADVERTENCIA DE LA PROPOSICION 65

DE CALIFORNIA: Los combustibles utilizados en los artefactos de combustión de gas o petróleo y los productos de combustión de tales combustibles, contienen sustancias químicas conocidas en el estado de California como causantes de cáncer, defectos congénitos y otros daños del sistema reproductor. Este producto contiene sustancias químicas, incluyendo plomo y compuestos de plomo, conocidos en el estado de California como causantes de cáncer, defectos congénitos y otros daños del sistema reproductor. Lávese las manos después de su manipulación.

▲ ADVERTENCIA No ha sido diseñado para uso doméstico o en vehículos recreacionales. El conjunto de la manguera debe protegerse del tráfico, materiales de construcción y el contacto con superficies calientes durante el uso del calentador y mientras esté almacenado.

Para obtener soporte técnico o ayuda para resolver problemas, llame al: 1 (800) 323-0620

Modelos 3VE54D, 3VE55C, 3VE57D y 3VE58C

Información de Seguridad General (Continuación)

IMPORTANTE: Lea detenida y completamente este Manual del usuario antes de intentar usar o darle mantenimiento a este calentador. El uso inadecuado del calentador puede ocasionar lesiones graves o la muerte debido a un incendio, una explosión o un envenenamiento por monóxido de carbono.

No toda posible circunstancia que podría implicar un peligro puede ser anticipada. Por tanto, las advertencias que aparecen en este manual y en la unidad no cubren todo. Si se utiliza un procedimiento, método de trabajo o técnica de operación no específicamente recomendado por Dayton, usted deberá cerciorarse de que es seguro para usted y para otros. También deberá asegurarse que el método de operación o mantenimiento que usted elija no dañará o menoscabará la seguridad del equipo. **CONSULTE CON LAS AUTORIDADES DE SEGURIDAD DE INCENDIOS DE SU LOCALIDAD SI TIENE ALGUNA DUDA SOBRE EL USO DE ESTE CALENTADOR.** Este calentador se ha diseñado y aprobado para uso como un calentador para construcciones bajo ANSI Z83.7.

Otras normas rigen el uso de gases combustibles y productos productores de calor en aplicaciones específicas. Sus autoridades locales pueden asesorarle sobre esas normas.

Éste es un calentador para construcciones, de aire forzado, de acción directa para uso interior o exterior. La unidad ha sido diseñada principalmente para la calefacción temporal de edificios en construcción, o a los que se les están haciendo modificaciones o reparaciones. Todos los productos de combustión generados por este calentador son forzados a través del calentador y emitidos en el área siendo calentada. Este calentador funciona con una eficacia de combustión de aproximadamente

mejor que un 98%, pero aún produce pequeñas cantidades de monóxido de carbono. Los humanos pueden tolerar pequeñas cantidades de monóxido de carbono durante cortos períodos de tiempo. El monóxido de carbono puede acumularse en un espacio calentado, y la falta de proporcionar una ventilación adecuada puede resultar en envenenamiento o la muerte.

INFORMACION IMPORTANTE SOBRE SEGURIDAD

- Los niños deben mantenerse lejos.
- Siempre mantenga las distancias de separación adecuadas de los materiales combustibles. Las distancias de separación mínimas deberán ser: **Lados – 61 cm, Parte superior – 91.4 cm; Frente – 183 cm.**
- El calentador debe colocarse en una base sólida y nivelada.
- Nunca ponga nada en el calentador, incluyendo vestimentas u otros artículos inflamables.
- No modifique el calentador ni utilice un calentador que haya sido modificado.
- Será necesario mantener una separación adecuada para el acceso, la combustión y la ventilación (suministro de aire) en todo momento cuando el calentador está funcionando.
- Todo trabajo de mantenimiento y reparación deberá ser realizado por un técnico de servicio calificado. El calentador deberá ser inspeccionado antes de cada uso y al menos anualmente por una persona calificada. Es posible que se requiera una limpieza más frecuente según sea necesario. No repare ni le dé mantenimiento al calentador mientras esté caliente o funcionando.
- Nunca conecte el calentador en una fuente de gas no regulada.
- Este calentador se envía de la fábrica para uso con gas PL (propano) únicamente. No lo convierta a ningún otro

gas. La instalación deberá conformar con los códigos locales, o a falta de ellos, con la norma para el almacenamiento y la manipulación de gas licuado de petróleo ANSI/NFPA 58.

- Utilice únicamente el conjunto de regulador y manguera suministrado con este calentador. Inspeccione el conjunto del regulador y manguera antes de cada uso del calentador. Si está demasiado desgastado, o si la manguera está cortada, reemplace el conjunto con el conjunto correcto mostrado en la lista de partes, antes de usar el calentador.
- Las conexiones de suministro de gas deben revisarse usando una solución de 50/50 de jabón y agua. Nunca use una llama para verificar la presencia de fugas de gas.
- Sitúe el cilindro de propano al menos a 1.8 metros del calentador, y no oriente la descarga del calentador hacia el cilindro de gas a menos que éste se encuentre a una distancia de 6 metros del calentador.
- La conexión eléctrica y a tierra deberá cumplir con el Código Eléctrico Nacional (NEC), ANSI/NFPA 70. Utilice únicamente un receptáculo para tres (3) clavijas debidamente conectado a tierra.
- No obstruya las áreas de entrada y salida de aire del calentador.

Operación

RELLENO DEL TANQUE DE GAS PROPANO

TODO CILINDRO NUEVO DEBE PURGARSE ANTES DE LLENARLO POR PRIMERA VEZ.

⚠ ADVERTENCIA *Las acciones de purga y llenado de los tanques de PL deben ser realizadas por personal que esté completamente capacitado en los procedimientos aceptados de la industria de gas PL. El incumplimiento de estas instrucciones podría resultar en explosión, incendio, lesiones personales graves o la muerte.*

Calentador de Propano para Construcciones Dayton®

Operación (Continuación)

- Gire la perilla de la válvula de gas del calentador y la válvula del tanque de gas a la posición OFF ○ (apagado).
- Las válvulas del tanque de propano equipadas con un accesorio de estilo antiguo tienen ROSCAS DE MANO IZQUIERDA. Gire el accesorio HACIA LA DERECHA ↷ para aflojarlo. Proteja este accesorio cuando esté desconectado del tanque.
- Haga que su distribuidor de gas propano le llene su tanque.
- Algunos tanques de propano tienen una válvula de purga. Esta válvula deberá inspeccionarse para ver si tiene fugas después de cada vez que se llene el tanque. Gire la válvula hacia la derecha ↷ para cerrarla.
- Sujete el tanque de propano lleno y conecte el accesorio adecuado en la válvula del tanque, girándolo HACIA LA IZQUIERDA ↶.
- Con la perilla de la válvula de gas del calentador en la posición OFF ○ (apagado), abra la válvula del tanque y revise para verificar si hay fugas usando una solución de jabón.

▲ PRECAUCION *El propano es seguro para usar cuando se manipula correctamente. La manipulación negligente del tanque de gas propano podría resultar en un incendio y/o una explosión.*

Por consiguiente:

- Siempre mantenga el tanque o cilindro firmemente sujetado y en posición vertical.
- Evite inclinar el tanque hacia un lado cuando esté conectado a un regulador, ya que eso podría causar daño al diafragma en el regulador.
- Manipule las válvulas con cuidado.
- Nunca conecte un tanque de propano no regulado en un calentador para construcciones.
- No someta el tanque de propano a un calor excesivo.
- Cierre firmemente la válvula de cierre

de gas en el tanque de propano después de cada uso.

- Todos los accesorios deben protegerse cuando están desconectados del tanque de PL.
- Nunca almacene un tanque de gas propano dentro de un edificio o cerca de cualquier aparato que queme gas.

▲ PRECAUCION *El tanque desconectado nunca debe almacenarse en un edificio, garaje o cualquier otra área cerrada.*

INSPECCION DE FUGAS

- Revise todas las conexiones con una solución de 50/50 de jabón y agua para asegurarse que estén bien apretadas y herméticas.
- La instalación de su calentador deberá cumplir con todos los códigos locales y/o requisitos de la compañía de servicio de gas, o a falta de códigos locales, con el Código Nacional de Combustibles ANSI Z223.1.
- Las mínimas distancias de separación de materiales de construcción combustibles mostradas en la Página 3 deberán mantenerse en todo momento.

INSTRUCCIONES DE ENCENDIDO

NOTA: Este calentador utiliza un sistema de encendido continuo. Esta unidad seguirá haciendo un chasquido todo el tiempo antes del encendido, después del mismo y durante su funcionamiento, sin importar la posición de la perilla de la válvula.

1. Conecte el cable de alimentación en un cable de extensión de tres (3) puntas, de 120V, 60 Hz, debidamente conectado a tierra.
Requisitos de tamaño de conductor del cordón de extensión:
1.8 a 3 metros (6 a 10 pies) de largo, utilice un conductor 18 AWG.
3.4 a 30.5 metros (11 a 100 pies) de largo, utilice un conductor 16 AWG.
30.8 a 61 metros (101 a 200 pies) de largo, utilice un conductor 14 AWG.

2. Gire la válvula de gas hacia la derecha a la posición OFF (apagado).
3. Espere cinco (5) minutos para que se disipe el gas en la línea. Use el olfato para oler gas; si no huele gas, proceda al Paso 4.
4. Empuje hacia adentro la perilla de control del gas y gírela hacia la izquierda a la posición LOW/IGN (bajo/encendido). Esto encenderá el quemador. Si es necesario, mantenga presionada la perilla de control del gas hasta que el quemador se encienda y continúe presionando y girando de OFF a LOW/IGN en los modelos de chispa piezoeléctrica (HIGH/IGN en el Modelo 3VE55C).
5. Mantenga presionada la perilla de la válvula durante al menos 30 segundos después de encender el quemador. Después de 30 segundos, suelte la perilla de la válvula.
6. Si el quemador se apaga, repita el procedimiento de encendido.
7. Cuando el quemador permanezca encendido, gire la perilla de la válvula de gas hacia la izquierda hasta el ajuste deseado (todos los modelos, excepto el 3VE55C).

INSTRUCCIONES DE APAGADO

Para apagar el calentador:

1. Gire la perilla de la válvula de gas hacia la derecha a la posición OFF (apagado).
2. Gire hacia la derecha la válvula del tanque de propano para cerrar la válvula y cortar el suministro de gas.
3. Desconecte el cable de alimentación eléctrica.

INTENTE ENCENDER EL CALENTADOR

Intente encender su calentador para construcciones de acuerdo con las instrucciones de encendido aplicables al sistema de control de gas empleado.

Someta todas las conexiones de gas a una prueba de fugas con una solución de 50/50 de jabón y agua antes de encender el calentador. Las burbujas de jabón indican que hay una fuga de gas. NUNCA use un fósforo o una llama para comprobar si hay fugas.

Para obtener soporte técnico o ayuda para resolver problemas, llame al: 1 (800) 323-0620

Modelos 3VE54D, 3VE55C, 3VE57D y 3VE58C

Operación (Continuación)

AVISO: La temperatura de la superficie del calentador deberá estar fría antes de almacenar el calentador o iniciar el mantenimiento o la limpieza del mismo.

ALMACENAMIENTO

Nunca almacene un tanque de gas propano dentro de un edificio o cerca de cualquier aparato que queme gas o aceite. Cuando el tanque de propano no se desconecta del calentador para construcciones, el tanque de gas y el

calentador deben almacenarse en el exterior en un área bien ventilada y fuera del alcance de los niños. Si por cualquier razón ha de almacenarse el calentador en un lugar interior, el tanque se debe primero desconectar y desmontar del conjunto de la base del calentador y almacenar en un área exterior bien ventilada y fuera del alcance de los niños, de acuerdo con la más reciente edición de la Norma para el almacenamiento y la manipulación de gas licuado de petróleo ANSI/NFPA

58. El tapón de plástico de la válvula del tanque suministrado con su tanque deberá estar firmemente instalado cuando el tanque esté desconectado del calentador.

AVISO: Todo trabajo de instalación y reparación deberá ser realizado por un técnico de servicio calificado.

Diagramas Eléctricos

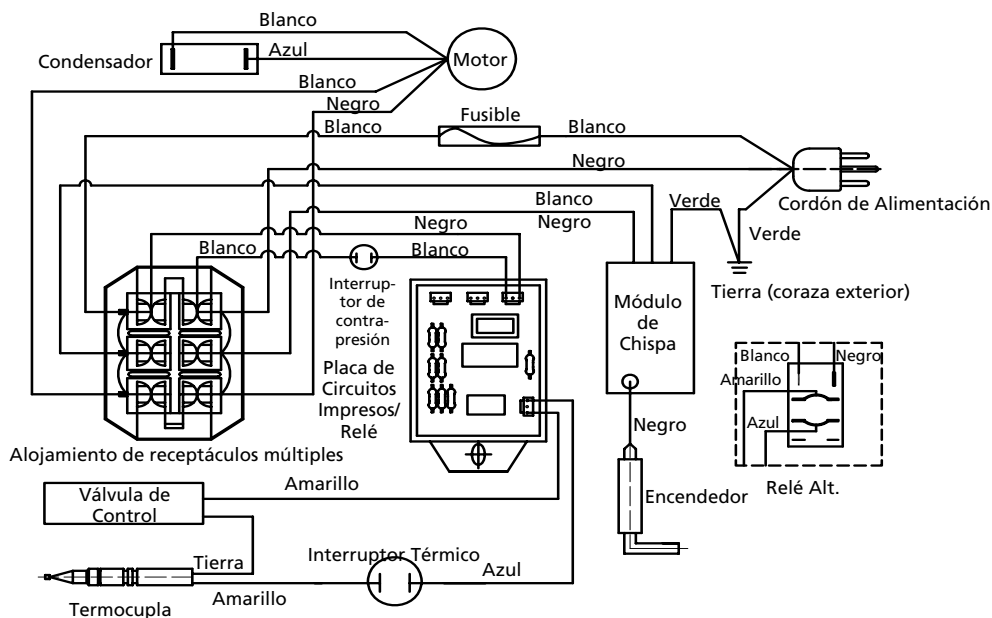


Figura 2 – Modelos de Chispa Piezoeléctrica/Manual 3VE57D y 3VE58C

Si fuera necesario reemplazar cualquier conductor original suministrado con el calentador, se debe hacer con un conductor de tipo AWG para 105°C o su equivalente, excepto según se indique.

Calentador de Propano para Construcciones Dayton®

Diagramas Eléctricos (Continuación)

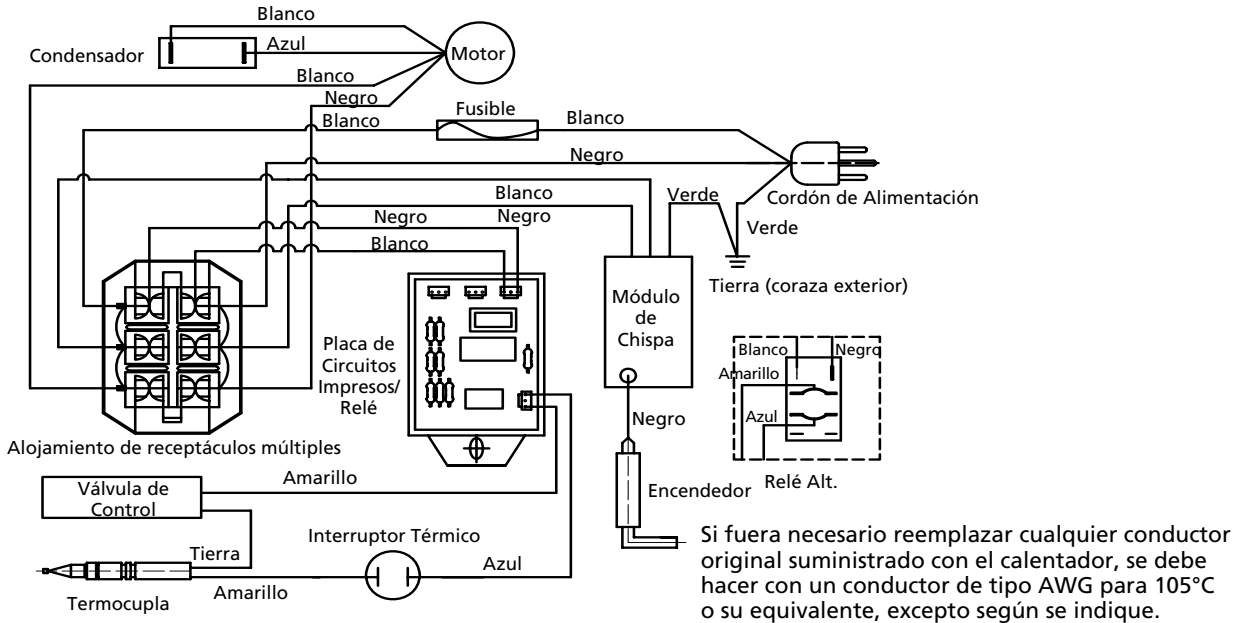


Figura 3 – Modelo de Chispa Continua 3VE54D

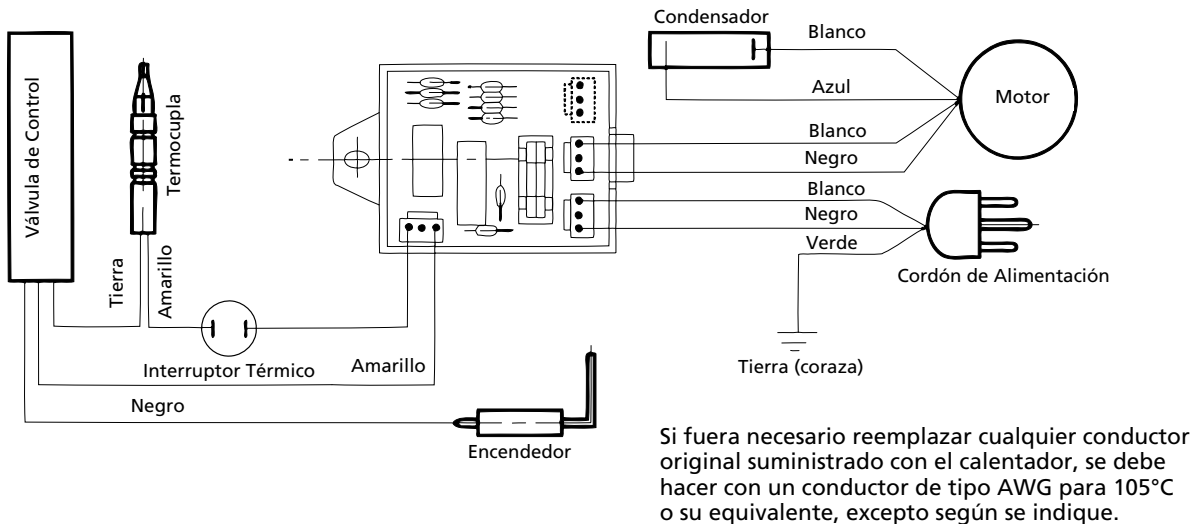


Figura 4 – Modelo de Chispa Piezoeléctrica/Manual 3VE55C

Modelos 3VE54D, 3VE55C, 3VE57D and 3VE58C

**Para Obtener Partes de Reparación en México Llame al 001-800-527-2331
en EE.UU. Llame al 1-800-323-0620**

Servicio permanente – 24 horas al día al año

Por favor proporciónenos la siguiente información:

-Número de modelo

-Número de serie (si lo tiene)

-Descripción de la parte y número que le corresponde en la lista de partes

NO. DE REF	DESCRIPCIÓN	CANT	NO. DE PARTE			
			3VE54D	3VE55C	3VE57D	3VE58C
1	CARCASA EN SISTEMA	1	2304818	2304818	2304929	2304929
2	BOQUILLA	1	2325121	2304829	2325123	2304944
3	CUBIERTA DE PORTA-LLAMA	1	2325120	2304819	*2325122	*2304931
4	SOPORTE DEL INTERRUPTOR TÉRMICO	1	2304826	2304826	2315515	2304826
5	INTERRUPTOR TÉRMICO	1	2206048	2201373	2201373	2201563
6	TUERCA DE BOQUILLA	1	2304578	2304578	2304945	2304945
7	BUJÍA	1	2206033	2201375	2206034	2201393
8	TERMOPAR (1130/1474-425L)	1	2304885	2304885	2304885	2304885
9	SISTEMA DE TUBERÍA	1	2304830	2304830	2325137	2304947
10	CUBIERTA EXTERIOR - ANARANJADO	1	2305403	2305403	2305971	2305971
11	ENVOLTURA PARA CABLE (algunos modelos solamente)	2	N/A	N/A	2101423	2101423
12	SISTEMA DEL MANGO - NEGRO	1	2101447	2101447	2101447	2101447
12.1	TORNILLO - MANGO DELANTERO	1	2001355	2001355	2001355	2001355
12.2	TORNILLO - MANGO DELANTERO	1	2001077	2001077	2001077	2001077
12.3	TUERCA - HANDLE REAR	1	2000384	2000384	2000384	2000384
13	MOTOR DE SOPORTE	1	2304823	2304823	2304823	2304823
13.1	MONTAJE DEL MOTOR-PERNOS	2	2001332	2001332	2001332	2001332
13.2	MANGA	1	2304949	2304949	2304949	2304949
14	SISTEMA DE MOTOR	1	2304547	2305909	2304548	2304548
14.1	ABANICO DEL MOTOR	1	2304821	2304821	2304936	2304936
15	ABANICO DE SEGURIDAD - NEGRO	1	2304828	2304828	2304939	2304939
16	SOPORTE DE MOTOR	1	2304937	2304824	2304938	2304938
17	VÁLVULA - GAS	1	5051233	2304820	5051235	5051236
18	INTERRUPTOR DE PRESIÓN	1	N/A	N/A	2305976	2305976
19	SOPORTE DE LA VÁLVULA	1	2304624	2304624	2304624	2304624
20	ENSAMB. DE BASE - NEGRO	1	2304923	2304923	2304924	2304924
21	SISTEMA DE CABLE GUÍA MPU	1	2101670	2101368	2101673	2101673
22	ENTRADA DEL CONECTOR	1	2304831	2304831	2304831	2304831
23	CAPACIDAD	1	2201372	2201372	2301390	2201396
24	BASE MÁS BAJA - NEGRO	1	2304925	2304925	2304926	2304926
25	PERILLA DE LA VÁLVULA DE GAS - NEGRO	1	2101451	2101451	2101451	2101451
26	CONTROLADOR DE ALTURA - NEGRO	1	2304927	2304927	2304928	2304928
27	TORNILLO DE CONTROL DE ALTURA - NEGRO	1	2304510	2304510	2304510	2304510
28	SISTEMA DE CABLE GUÍA	1	2201371	2201371	2201371	2201371
29	MÓDULO DE CHISPA	1	2201391	N/A	2201391	2201391
30	SISTEMA PCB	1	2201369	2201369	2201369	2201369
31	CONJUNTO DE REGULADOR & MANGUERA -10pies (3mts)	1	5055544	5002614	5055549	TYQ-6E1-LL38-00

*No se muestra en la vista detallada.

**Para Obtener Partes de Reparación en México Llame al 001-800-527-2331
en EE.UU. Llame al 1-800-323-0620**

Servicio permanente – 24 horas al día al año

Por favor proporciónenos la siguiente información:

- Número de modelo
- Número de serie (si lo tiene)
- Descripción de la parte y número que le corresponde en la lista de partes

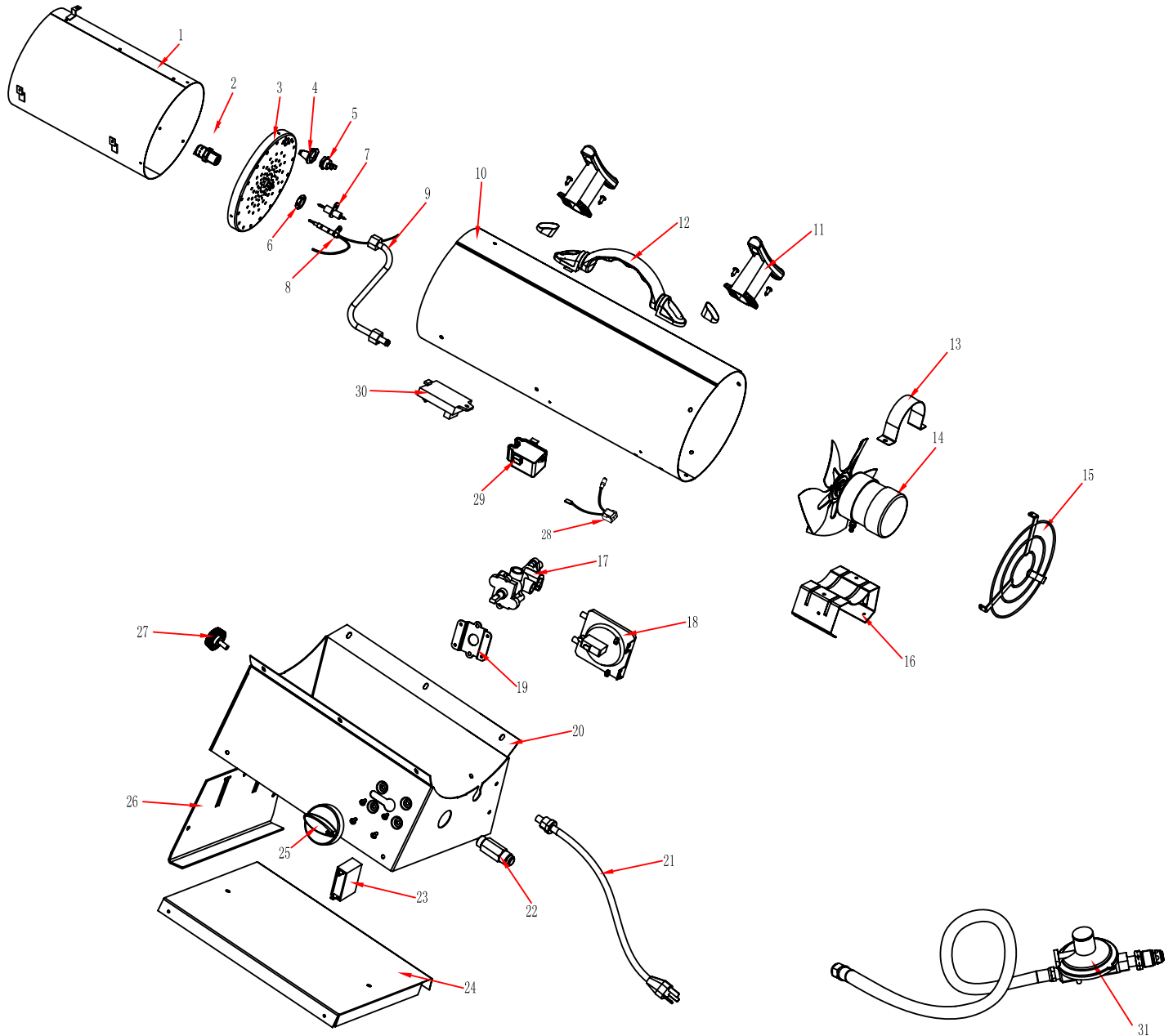


Figura 5 – Ilustración de las Partes de Reparación para el Calentador de Propano para Construcciones

Para obtener soporte técnico o ayuda para resolver problemas, llame al: 1 (800) 323-0620

Calentador de Propano para Construcciones Dayton®

Tabla de Identificación de Problemas

Síntoma	Causa(s) Posible(s)	Medida Correctiva
1. La perilla de control está apagada y la unidad hace chasquidos.	1. Esto es normal. Este calentador utiliza un sistema de encendido continuo. Esta unidad seguirá haciendo un chasquido todo el tiempo antes del encendido, después del mismo y durante su funcionamiento, sin importar la posición de la perilla de la válvula.	1. No se necesitan acciones correctivas.
2. El encendedor hace chasquidos mientras el calentador está encendida.	1. Esto es normal. Este calentador utiliza un sistema de encendido continuo. Esta unidad seguirá haciendo un chasquido todo el tiempo antes del encendido, después del mismo y durante su funcionamiento, sin importar la posición de la perilla de la válvula.	1. No se necesitan acciones correctivas.
3. El ventilador no gira cuando se le conecta la energía eléctrica	1. El calentador no recibe alimentación eléctrica 2. El aspa del ventilador hace contacto con la parte interior del alojamiento del calentador 3. El aspa(s) del ventilador está doblada 4. El motor del ventilador está defectuoso	1. Verifique la corriente en el tomacorriente. Si el voltaje es correcto, inspeccione el cable de alimentación para ver si está cortado o roto 2. Asegúrese que el alojamiento no esté dañado. Asegúrese que el ventilador no esté obstruido 3. Enderece el aspa(s) para que luzca como las demás 4. Reemplace el motor
4. El calentador no enciende	1. No hay chispa en el encendedor 2. Separación de chispa incorrecta 3. Electrodo dañado	1. Inspeccione el conductor del encendedor Reconéctelo o apriételo si está suelto. Revise el módulo de chispa. Reemplace según sea necesario. Revise todos los componentes eléctricos 2. Ajuste la separación a 0.41 mm (0.28 mm modelo 3VE58C) 3. Reemplace la bujía
5. El calentador se apaga cuando está funcionando	1. La temperatura interior es demasiado alta y causa que el interruptor limitador apague la unidad 2. Válvula de control dañada 3. Polvo o restos de material acumulados dentro del calentador	1. Si se restringe la salida del calentador, la temperatura interior sube demasiado. Mueva el calentador lejos de toda obstrucción 2. Reemplace la válvula de control 3. Limpie el interior del calentador

Siempre asegúrese de cumplir con los procedimientos de mantenimiento adecuados, limpiando el calentador una vez al mes durante su uso regular, y revise la separación de chispa al menos una vez por temporada.

GARANTIA LIMITADA

GARANTIA LIMITADA DE DAYTON POR UN A—O. DAYTON ELECTRIC MFG. CO. (DAYTON) LE GARANTIZA AL USUARIO ORIGINAL QUE LOS MODELOS TRATADOS EN ESTE MANUAL DEL CALENTADOR DE PROPANO PARA CONSTRUCCIONES DAYTON® ESTÁN LIBRES DE DEFECTOS EN LA MANO DE OBRA O EL MATERIAL, CUANDO SE LES SOMETE A USO NORMAL, POR UN A—O A PARTIR DE LA FECHA DE COMPRA. CUALQUIER PARTE QUE SE HALLE DEFECTUOSA, YA SEA EN EL MATERIAL O EN LA MANO DE OBRA, Y SEA DEVUELTA (CON LOS COSTOS DE ENVÍO PAGADOS POR ADELANTADO) A UN CENTRO DE SERVICIO AUTORIZADO DESIGNADO POR DAYTON, SERÁ REPARADA O REEMPLAZADA (NO EXISTE OTRA POSIBILIDAD) SEGUN LO DETERMINE DAYTON. PARA OBTENER INFORMACION SOBRE LOS PROCEDIMIENTOS DE RECLAMO CUBIERTOS EN LA GARANTIA LIMITADA, VEA LA SECCION "ATENCIÓN OPORTUNA" QUE APARECE MAS ADELANTE. ESTA GARANTIA LIMITADA CONFIERE AL COMPRADOR DERECHOS LEGALES ESPECÍFICOS QUE VARIAN DE JURISDICCION A JURISDICCION.

LIMITES DE RESPONSABILIDAD. EN LA MEDIDA EN QUE LAS LEYES APLICABLES LO PERMITAN, LA RESPONSABILIDAD DE DAYTON POR LOS DA—OS EMERGENTES O INCIDENTALES ESTA EXPRESAMENTE EXCLUIDA. LA RESPONSABILIDAD DE DAYTON EXPRESAMENTE ESTA LIMITADA Y NO PUEDE EXCEDER EL PRECIO DE COMPRA PAGADO POR EL ARTICULO.

EXCLUSIÓN DE RESPONSABILIDAD DE LA GARANTIA. SE HAN HECHO ESFUERZOS DILIGENTES PARA PROPORCIONAR INFORMACION E ILUSTRACIONES APROPIADAS SOBRE EL PRODUCTO EN ESTE MANUAL. SIN EMBARGO, ESTA INFORMACION Y LAS ILUSTRACIONES TIENEN COMO UNICO PROPOSITO LA IDENTIFICACION DEL PRODUCTO Y NO EXPRESAN NI IMPLICAN GARANTIA DE QUE LOS PRODUCTOS SEAN VENDIBLES O ADECUADOS PARA UN PROPOSITO EN PARTICULAR NI QUE SE AJUSTAN NECESARIAMENTE A LAS ILUSTRACIONES O DESCRIPCIONES. CON EXCEPCION DE LO QUE SE ESTABLECE A CONTINUACION, DAYTON NO HACE NI AUTORIZA NINGUNA GARANTIA O AFIRMACION DE HECHO, EXPRESA O IMPLICITA, QUE NO SEA ESTIPULADA EN LA "GARANTIA LIMITADA" ANTERIOR.

Consejo Técnico y Recomendaciones, Exclusiones de Responsabilidad. A pesar de las prácticas, negociaciones o usos comerciales realizados previamente, las ventas no deberán incluir el suministro de consejo técnico o asistencia o diseño del sistema. Dayton no asume ninguna obligación o responsabilidad por recomendaciones, opiniones o consejos no autorizados sobre la elección, instalación o uso de los productos.

Adaptación del Producto. Muchas jurisdicciones tienen códigos o regulaciones que rigen la venta, la construcción, la instalación y/o el uso de productos para ciertos propósitos que pueden variar con respecto a los aplicables a las zonas vecinas. Si bien se trata de que los productos Dayton cumplan con dichos códigos, no se puede garantizar su conformidad y no se puede hacer responsable por la forma en que se instale o use su producto. Antes de comprar y usar el producto, revise su aplicación y todos los códigos y regulaciones nacionales y locales aplicables y asegúrese de que el producto, la instalación y el uso los cumplan.

Ciertos aspectos de limitación de responsabilidad no se aplican a productos al consumidor; es decir (a) algunas jurisdicciones no permiten la exclusión ni limitación de daños incidentales o consecuentes, de modo que las limitaciones o exclusiones anteriores quizás no apliquen en su caso; (b) asimismo, algunas jurisdicciones no permiten limitar el plazo de una garantía implícita, por lo tanto, la limitación anterior quizás no aplique en su caso; y (c) por ley, mientras la Garantía Limitada esté vigente no podrán excluirse ni limitarse en modo alguno ninguna garantía implícita de comercialización o de idoneidad para un propósito en particular aplicables a los productos al consumidor adquiridos por éste.

Atención Oportuna. Se hará un esfuerzo de buena fe para corregir puntualmente, o hacer otros ajustes, con respecto a cualquier producto que resulte defectuoso dentro de los términos de esta garantía limitada. En el caso de que encuentre un producto defectuoso y que esté cubierto dentro de los límites de esta garantía haga el favor de escribir primero, o llame, al distribuidor a quien le compró el producto. El distribuidor le dará las instrucciones adicionales. Si no puede resolver el problema en forma satisfactoria, escriba a Dayton a la dirección a continuación, dando el nombre del distribuidor, su dirección, la fecha y el número de la factura del distribuidor y describa la naturaleza del defecto. La propiedad del artículo y el riesgo de pérdida pasan al comprador en el momento de la entrega del artículo a la compañía de transporte. Si el producto se daña durante el transporte, debe presentar su reclamo a la compañía transportista.

Fabricado por Dayton Electric Mfg. Co., Niles, Illinois 60714 U.S.A.
por GHP Group, Inc., Morton Grove, IL

Dayton®

Veuillez lire et conserver ces instructions. Lire attentivement avant de commencer à assembler, installer, faire fonctionner ou entretenir l'appareil décrit. Protégez-vous et les autres en observant toutes les informations sur la sécurité. Négliger d'appliquer ces instructions peut résulter en des blessures corporelles et/ou en des dommages matériels ! Conserver ces instructions pour références ultérieures.

Radiateurs de construction Dayton®

Description

Les modèles 3VE54D, 3VE55C, 3VE57D et 3VE58C de Dayton sont des radiateurs de 30 000 à 150 000 Btu/h utilisés sur des sites de construction. Ces radiateurs utilisent le gaz propane comme combustible et l'électricité pour alimenter le ventilateur.

Il est surtout conçu pour le chauffage temporaire des édifices en construction, réfection ou réparation bien ventilés.



3VE54D



3VE55C



3VE57D



3VE58C



Figure 1

CSA 2.14b-2009, ANS Z83.7b-2009
Radiateur de Construction

Spécifications

SPÉCIFICATIONS GÉNÉRALES

Modèle	Type de gaz	Débit calorifique	Pression minimale	Pression du distributeur	Consommation de gaz	Dimensions L x lar x H (cm)	Poids kg
3VE54D	Propane	30 000 à 60 000 Btu/h	34,5 kPa	27,9 cm CE	0,64 à 1,04 kg/h	46 x 20,6 x 38,9	6,8
3VE55C	Propane	40 000 Btu/h	34,5 kPa	27,9 cm CE	0,86 kg/h	46 x 20,6 x 38,9	6,5
3VE57D	Propane	70 000 à 125 000 Btu/h	34,5 kPa	27,9 cm CE	1,50 à 2,09 kg/h	63,5 x 22,9 x 42,9	9,8
3VE58C	Propane	120 000 à 150 000 Btu/h	34,5 kPa	27,9 cm CE	2,54 à 3,18 kg/h	63,5 x 22,9 x 42,9	9,9

SPÉCIFICATIONS ÉLECTRIQUES

Modèle	Entrée électrique	Ampérage	Tr/min du ventilateur	Allumage	Étincelle
3VE54D	120 V, 60 Hz	0,65	3570	Étincelle continue	4,1 mm
3VE55C	120 V, 60 Hz	0,68	3550	Allumage piézo/manuel	4,1 mm
3VE57D	120 V, 60 Hz	0,70	3580	Étincelle continue	4,1 mm
3VE58C	120 V, 60 Hz	0,70	3580	Étincelle continue	2,8 mm

DIMENSIONS ET CAPACITÉ DES BOUTEILLES DE GAZ PROPANE

Température (°C) au niveau du réservoir	Nombre de réservoirs requis		
	40 000 à 60 000 Btu/h	125,000 Btu/h	150 000 Btu/h
0	1	2	2
-7	1	2	2
-12	1	3	3
-18	1	3	3
-23	2	Utiliser un réservoir plus gros	Utiliser un réservoir plus gros
-29	2		

Le tableau ci-dessus affiche le nombre de réservoirs de 45,4 kg requis pour faire fonctionner les radiateurs à des températures données.

Une plus petite quantité de gaz est vaporisée à des températures plus basses. Deux réservoirs supplémentaires de plus de 45,4 kg ou un réservoir plus gros peuvent s'avérer nécessaires par temps plus froid. Votre détaillant local de gaz propane vous aidera à sélectionner le système d'alimentation qui convient.

Table des matières

	Page
Description	1
Spécifications.....	1
Déballage	2
Caractéristiques du produit	2
Informations générales sur la sécurité	2-3
Fonctionnement	3-4
Remplissage du réservoir de propane	3
Détection des fuites et repérage du radiateur.....	4
Instructions d'allumage et d'arrêt... ..	4
Test de mise à feu du radiateur.....	4
Schémas de câblage	5-6
Tableau de dépannage.....	8
Illustration des pièces détachées	9
Liste des pièces détachées	10
Garantie.....	10

FRANÇAIS

Radiateurs de construction Dayton®

Déballage

1. Déballer tous les articles appliqués au radiateur pour l'expédition. Garder les capuchons en plastique attachés à l'ensemble connecteur d'entrée et tuyau/régulateur pour l'entreposage.
2. Enlever tous les articles du carton.
3. Vérifier qu'aucun article n'a été endommagé pendant le transport. Si le radiateur est endommagé, informer immédiatement le détaillant qui vous l'a vendu.

Particularités du produit

- Portable, stable et entièrement assemblé.
- Résistant au vent et protégé contre la pluie.
- Allumage à étincelle continue ou piézo.
- Système de fermeture entièrement sécuritaire.
- Débit calorifique réglable.

INFORMATIONS SUR LE PROPANE

Le réservoir de GPL doit aussi être équipé des accessoires suivants :

- Un collier qui protège le robinet de gaz.
- Un robinet d'arrêt au bout de la sortie du robinet de la bouteille de propane, comme spécifié dans les normes américaines pour les sorties et les entrées de robinets d'évacuation pour bouteille de gaz et raccordement d'entrée.
- Une soupape de sûreté en communication directe avec l'espace de vapeur du réservoir.
- Un dispositif de retrait de vapeur.

REMARQUE : Le régulateur de pression et le tuyau du GPL fournis avec ce radiateur doivent être utilisés sans être modifiés.

Informations générales sur la sécurité

▲ DANGER Indique un danger imminent qui, s'il n'est pas évité, ENTRAÎNERA la mort

ou des blessures graves.

▲ AVERTISSEMENT Indique un danger potentiel qui, s'il n'est pas évité, PEUT entraîner la mort ou des blessures graves.

▲ ATTENTION Indique un danger potentiel qui, s'il n'est pas évité, POURRAIT entraîner des blessures mineures ou modérées.

▲ AVERTISSEMENT **AVERTISSEMENT GÉNÉRAL DE DANGER :** Le non respect des précautions et des instructions fournies avec ce radiateur peut entraîner la mort, des blessures graves, des pertes ou des dommages matériels suite aux risques d'incendie, d'explosion, de brûlures, d'asphyxie, d'empoisonnement au monoxyde de carbone et ou de décharge électrique. Seules des personnes aptes à comprendre et suivre ces instructions doivent utiliser ou entretenir ce radiateur. Contacter le fabricant en cas de besoin de manuel d'instructions, d'étiquettes, etc.

▲ AVERTISSEMENT **RISQUE D'INCENDIE, DE BRÛLURES, D'INHALATION ET D'EXPLOSION :** Garder les combustibles solides, comme les matériaux de construction, le papier ou le carton, à une distance sécuritaire du radiateur, suivant les recommandations de ce manuel. Ne jamais utiliser le radiateur dans des endroits qui contiennent ou pourraient contenir des matières combustibles volatiles ou en suspension dans l'air, ou encore des produits comme de l'essence, des solvants, des diluants à peinture, des particules de poussière ou des produits chimiques inconnus.

▲ AVERTISSEMENT Pour une utilisation à l'extérieur et à l'intérieur avec ventilation adéquate. N'est pas conçu pour un usage résidentiel ou de plaisance.

Consommateur : Conserver ces instructions pour consultation ultérieure.

▲ DANGER L'utilisation inappropriée de ce radiateur peut causer des blessures graves ou mortelles suite à des brûlures, un incendie, une explosion, une décharge électrique et/ou un empoisonnement au monoxyde de carbone.

Ce radiateur est conçu pour les sites de construction en conformité avec

CSA 2.14b-2009, ANS Z83.7b-2009.

D'autres normes régissent l'utilisation des gaz combustibles et des produits de chauffage pour des utilisations spécifiques. Les autorités locales peuvent vous informer sur ces dernières. La fonction principale des radiateurs de construction est de fournir un moyen de chauffage temporaire des édifices en construction ou en réparation.

Lorsqu'ils sont utilisés correctement, ils permettent de chauffer de manière économique. Les produits de la combustion sont ventilés dans l'aire chauffée.

▲ AVERTISSEMENT Ne pas utiliser ce radiateur avant d'avoir lu et entièrement compris ces directives de sécurité et d'utilisation. Le non respect des précautions et des instructions fournies avec ce radiateur peut entraîner la mort, des blessures graves, des pertes ou des dommages matériels suite aux risques d'incendie, d'explosion, de brûlures, d'asphyxie ou d'empoisonnement au monoxyde de carbone. Seules des personnes aptes à comprendre et suivre ces instructions doivent utiliser ou entretenir ce radiateur.

▲ AVERTISSEMENT **PROPOSITION 65 DE LA**

CALIFORNIE: Les combustibles utilisés par les appareils au gaz ou au combustible liquide et les produits de combustion qui se dégagent de ces combustibles contiennent des produits chimiques considérés par l'état de Californie comme pouvant causer le cancer, des déficiences congénitales ou autres effets nuisibles sur la fécondité. Ce produit contient des produits chimiques, y compris du plomb et des composés de plomb, considérés dans l'état de Californie comme pouvant entraîner le cancer, des déficiences congénitales ou autres effets nuisibles sur la fécondité. Se laver les mains après toute manipulation.

▲ AVERTISSEMENT N'est pas conçu pour un usage résidentiel ou dans un véhicule de plaisance. L'ensemble des tuyaux doit être protégé contre la circulation, les matériaux de construction et un contact avec des surfaces chaudes, durant l'utilisation et pendant l'entreposage.

Pour obtenir du soutien technique ou du dépannage, appeler : 1 (800) 323-0620

Modèles 3VE54D, 3VE55C, 3VE57D et 3VE58C

Informations générales sur la sécurité (suite)

IMPORTANT : Lire ce manuel de l'utilisateur attentivement et complètement avant de tenter de faire fonctionner ou d'entretenir de radiateur. L'utilisation inappropriée de ce radiateur peut causer des blessures graves ou mortelles suite à un incendie, une explosion et un empoisonnement au monoxyde de carbone.

Il est impossible de prévoir toutes les circonstances susceptibles de présenter des risques. Les avertissements dans ce manuel et ceux apposés sur l'appareil ne sont donc pas complets. Si on utilise une procédure, une méthode de travail ou une technique d'utilisation qui n'est pas spécifiquement recommandée par Dayton, on doit s'assurer qu'elle est sûre pour soi et pour les autres. S'assurer également que l'équipement ne sera pas endommagé ou rendu non sécuritaire par la méthode d'utilisation ou d'entretien choisie. **VÉRIFIER AVEC LE SERVICE LOCAL DES INCENDIES SI L'ON A DES QUESTIONS SUR L'APPLICATION.** Ce radiateur est conçu et homologué pour une utilisation comme radiateur de construction sous ANSI Z83.7.

D'autres normes régissent l'utilisation des gaz combustibles et des produits de chauffage pour des applications spécifiques. Les autorités locales peuvent vous informer sur ces dernières.

Ce radiateur de construction est de type direct, à air pulsé, utilisable à l'intérieur ou à l'extérieur. Il est surtout conçu pour le chauffage temporaire des édifices en construction, réfection ou réparation. Tous les produits de combustion générés par ce radiateur sont pulsés à travers celui-ci et expulsés dans la zone réchauffée. Ce radiateur fonctionne à une efficacité

de combustion d'environ 98 %+, mais produit encore de petites quantités de monoxyde de carbone. Les humains peuvent tolérer de petites quantités de monoxyde de carbone pendant de courtes périodes de temps. Le monoxyde de carbone peut s'accumuler dans un espace chauffé, et le fait de négliger de garantir une ventilation adéquate peut causer un empoisonnement ou la mort.

INFORMATIONS IMPORTANTES SUR LA SÉCURITÉ

- Garder les enfants loin du radiateur.
- Toujours maintenir un dégagement adéquat des matériaux combustibles. Le dégagement minimal doit être de : **Côtés – 61 cm, Dessus – 91,4 cm, Avant – 183 cm**
- Placer le radiateur sur une base solide et de niveau.
- Ne placer aucun objet, y compris des vêtements ou d'autres articles inflammables sur le radiateur.
- Ne pas modifier le radiateur ou utiliser un radiateur qui a été modifié.
- Maintenir un dégagement adéquat pour l'accessibilité, la combustion et la ventilation (alimentation en air) en tout temps lorsque le radiateur fonctionne.
- L'entretien et les réparations doivent être effectués par du personnel de service qualifié. Ce radiateur doit être inspecté avant chaque utilisation et au moins une fois par année par du personnel qualifié. Un nettoyage plus fréquent peut être requis si nécessaire. Ne pas réparer un radiateur chaud ou qui fonctionne.
- Ne jamais connecter le radiateur à une alimentation en gaz sans régulation.
- Ce radiateur est expédié de l'usine pour être utilisé avec du gaz propane (GPL) seulement. Ne pas convertir vers

un quelconque autre gaz. L'installation doit être conforme aux codes locaux, ou en leur absence, avec la norme du Storage and Handling of Liquefied Petroleum Gases ANSI/NFPA 58.

- N'utiliser que l'ensemble régulateur et tuyau fourni avec ce radiateur. Inspecter l'ensemble régulateur/tuyau avant chaque utilisation du radiateur. Si l'abrasion ou l'usure est excessive, ou si le tuyau est coupé, le remplacer par l'ensemble qui convient, illustré dans la liste des pièces, avant d'utiliser le radiateur.
- Vérifier les connexions d'alimentation en gaz avec une solution de 50/50 d'eau et de savon. Ne jamais utiliser de flamme pour vérifier la présence de fuites de gaz.
- Placer la bouteille de propane à au moins 1,8 m du radiateur et ne pas diriger l'évacuation du radiateur vers la bouteille de gaz à moins que celle-ci ne soit à au moins 6 m du radiateur.
- La connexion électrique et la mise à la terre doivent être conformes au Code national de l'électricité, ANSI/NFPA 70. N'utiliser qu'une prise à trois (3) trous correctement mise à la terre.
- Ne placer aucun obstacle à l'avant ni à l'arrière du radiateur.

Fonctionnement

REMPLISSAGE DU RÉSERVOIR DE GAZ PROPANE

TOUTES LES NOUVELLES BOUTEILLES DOIVENT ÊTRE PURGÉES AVANT D'ÊTRE REMPLIES DE NOUVEAU.

AVERTISSEMENT *La purge et le remplissage des réservoirs de GPL doivent être effectués par du personnel entièrement formé aux procédures acceptées dans l'industrie du GPL. La non-conformité à ces directives peut entraîner une explosion, un incendie, des blessures graves ou mortelles.*

Radiateurs de construction Dayton®

Fonctionnement (suite)

- Tourner les boutons des robinets de gaz du radiateur et du réservoir à la position d'arrêt (OFF) ○.
- Le robinet du réservoir de propane est équipé avec des raccords ancien style FILETAGE CÔTÉ GAUCHE. Tourner le raccord dans le sens HORAIRE pour desserrer. Protéger ce raccord lorsqu'il est détaché du réservoir.
- Faire remplir le réservoir par votre fournisseur de gaz propane local.
- Certains réservoirs de propane possèdent un robinet de purge. Ce robinet doit être inspecté pour y détecter des fuites après chaque remplissage du réservoir. Tourner le robinet dans le sens horaire pour fermer.
- Serrer l'intégralité du réservoir de propane et raccorder les raccords qui conviennent au robinet du réservoir en tournant dans le sens ANTIHORAIRE.
- Alors que le bouton du robinet de gaz est encore en position fermée (OFF) ○, ouvrir le robinet du réservoir (ON) et vérifier pour détecter toute présence de fuites avec une solution d'eau savonneuse.

ATTENTION *Le gaz propane est sécuritaire*

lorsqu'il est manipulé correctement. Une manipulation sans précaution d'un réservoir de gaz propane peut causer un incendie et/ou une explosion. En conséquence :

- Toujours garder le réservoir/la bouteille fixé de façon sécuritaire et en position debout.
- Éviter d'incliner le réservoir sur le côté lorsque raccordé à un régulateur, ce qui risque d'endommager le diaphragme à l'intérieur régulateur.
- Manipuler les robinets avec précaution.
- Ne jamais raccorder un réservoir de propane sans régulateur à un radiateur de construction.

- Ne pas soumettre le réservoir de propane à une chaleur excessive.
- Serrer fermement le robinet d'arrêt du gaz sur le réservoir de propane après chaque utilisation.
- Tous les raccords doivent être protégés lorsque démontés du réservoir de GPL.
- Ne jamais entreposer un réservoir de gaz propane dans un édifice ou à proximité d'un appareil qui brûle du gaz.

ATTENTION *Le réservoir débranché ne doit jamais être entreposé dans un édifice, un garage ou dans tout autre aire fermée.*

VÉRIFICATION DES FUITES

- Vérifier tous les raccords avec une solution d'eau et de savon 50/50 pour s'assurer qu'ils sont serrés et sans fuites.
- L'installation du radiateur doit être conforme aux codes locaux et/ou aux exigences des services de gaz ou, en l'absence de codes locaux, avec le National Fuel Code ANSI Z223.1.
- Les dégagements minimaux par rapport aux matériaux de construction combustibles illustrés à la page 3 doivent être maintenus en tout temps.

INSTRUCTIONS POUR L'ALLUMAGE

REMARQUE : Ce radiateur utilise un système d'allumage par étincelle continu. Cette unité émet constamment un cliquetis, que ce soit avant ou après l'allumage ou durant le.

1. Brancher le cordon d'alimentation dans une prise de cordon prolongateur à trois (3) trous de 120 V, 60 Hz, correctement mise à la terre.
Exigences de fil du cordon prolongateur :
1,8 à 3 m (6 à 10 pi) de long, utiliser un conducteur de 18 AWG.
3,4 à 30,5 m (11 à 100 pi) de long, utiliser un conducteur de 16 AWG.
30,8 à 61 m (101 à 200 pi) de long, utiliser un conducteur de 14 AWG.

2. Tourner le robinet dans le sens horaire à la position d'arrêt (OFF).
3. Attendre cinq (5) minutes pour que tout gaz se dissipe. Sentir pour détecter toute odeur de gaz; si rien n'est détecté, passer à l'étape 4.
4. Enfoncer le bouton de commande de gaz et le tourner dans le sens antihoraire jusqu'à la position LOW/IGN. Ceci allume le brûleur. Si nécessaire, continuer d'appuyer le bouton de commande jusqu'à ce que le brûleur s'allume et maintenir cette pression en tournant de OFF à LOW/IGN sur les modèles à étincelles piézo électrique (HIGH/IGN sur le modèle 3VE55C).
5. Garder enfoncé le bouton du robinet pendant au moins 30 secondes après l'allumage du brûleur. Après 30 secondes, relâcher le bouton du robinet.
6. Si le brûleur ne reste pas allumé, répéter la procédure d'allumage.
7. Lorsque le brûleur reste allumé, tourner le bouton du robinet de gaz dans le sens antihoraire au réglage désiré (tous les modèles sauf 3VE55C).

INSTRUCTIONS POUR L'ARRÊT

Pour éteindre le radiateur :

1. Tourner le bouton du robinet dans le sens horaire à la position d'arrêt (OFF).
2. FERMER l'alimentation en gaz en tournant le robinet de réservoir de propane dans le sens horaire.
3. Débrancher le cordon d'alimentation.

VÉRIFICATION DE LA MISE À FEU DU RADIATEUR

Vérifier la mise à feu du radiateur de construction en suivant les instructions d'allumage correspondant au système de commande de gaz utilisé.

Vérifier pour détecter des fuites à tous les raccords de gaz à l'aide d'une solution d'eau et de savon 50/50 avant la mise en marche. Des bulles de savon indiquent une fuite de gaz. NE PAS utiliser une allumette ou une flamme pour détecter des fuites de gaz.

Modèles 3VE54D, 3VE55C, 3VE57D et 3VE58C

Fonctionnement (suite)

REMARQUE : La température de la surface du radiateur doit être froide avant d'effectuer le service, le nettoyage ou l'entreposage.

ENTREPOSAGE

Ne jamais entreposer un réservoir de gaz propane dans un édifice ou à proximité d'un appareil qui brûle du gaz ou de l'huile. Lorsqu'un réservoir

de propane n'est pas débranché d'un radiateur de construction, le réservoir de gaz et le radiateur doivent être entreposés à l'extérieur dans une zone bien ventilée, hors de portée des enfants. Si pour une raison quelconque, le radiateur est entreposé à l'intérieur, le réservoir doit d'abord être débranché et enlevé de la base du radiateur et entreposé à l'extérieur dans une zone bien ventilée, hors de portée des

enfants, en conformité avec la dernière édition du Storage and Handling of Liquefied Gasses ANSI/NFPA 58. Le bouchon en plastique du robinet du réservoir, fourni avec le réservoir, doit être installé bien serré lorsque le réservoir est débranché du radiateur.

REMARQUE : L'installation et les réparations doivent être effectuées par du personnel de service qualifié.

Schémas de câblage

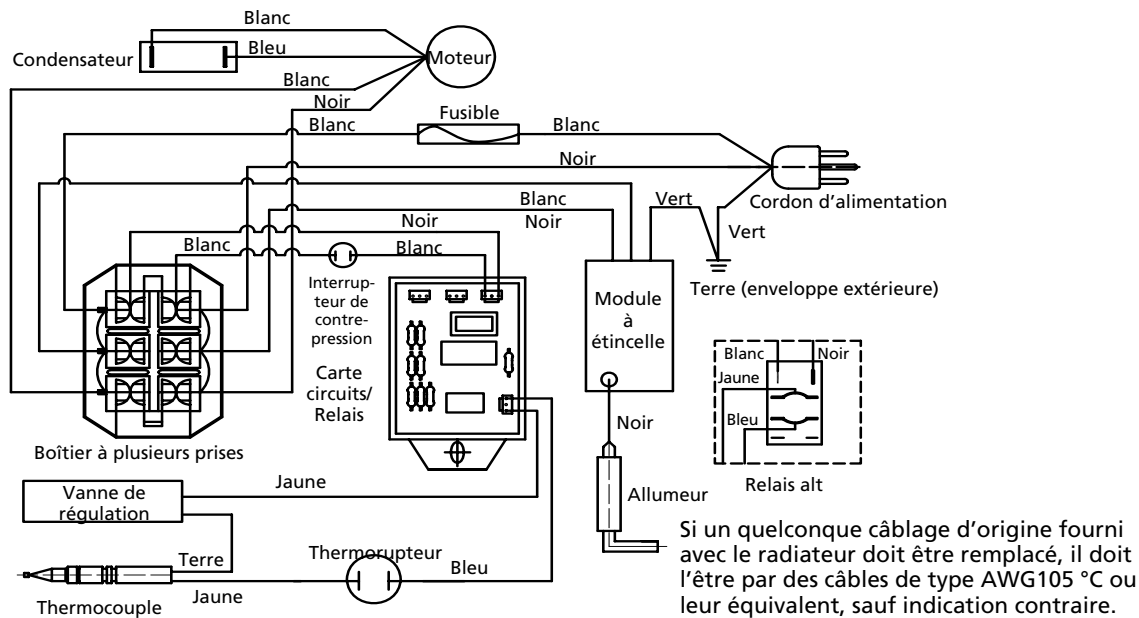


Figure 2 – Modèles à étincelles piézo/manuel 3VE57D et 3VE58C

FRANÇAIS

Radiateurs de construction Dayton®

Schémas de câblage (suite)

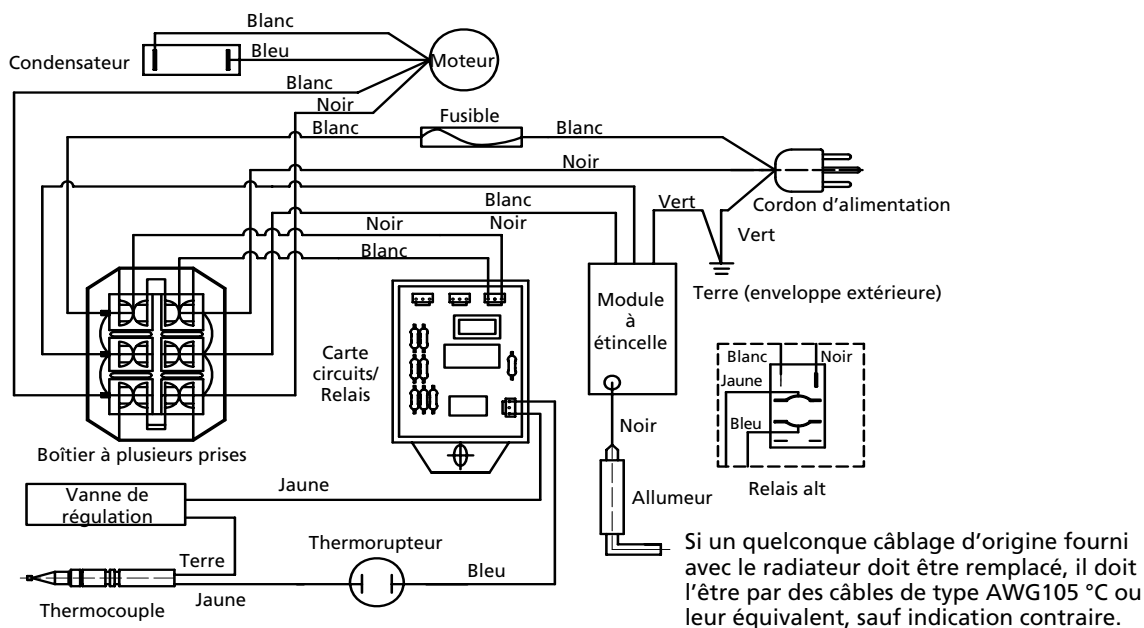


Figure 3 – Modèles à étincelle continue 3VE54D

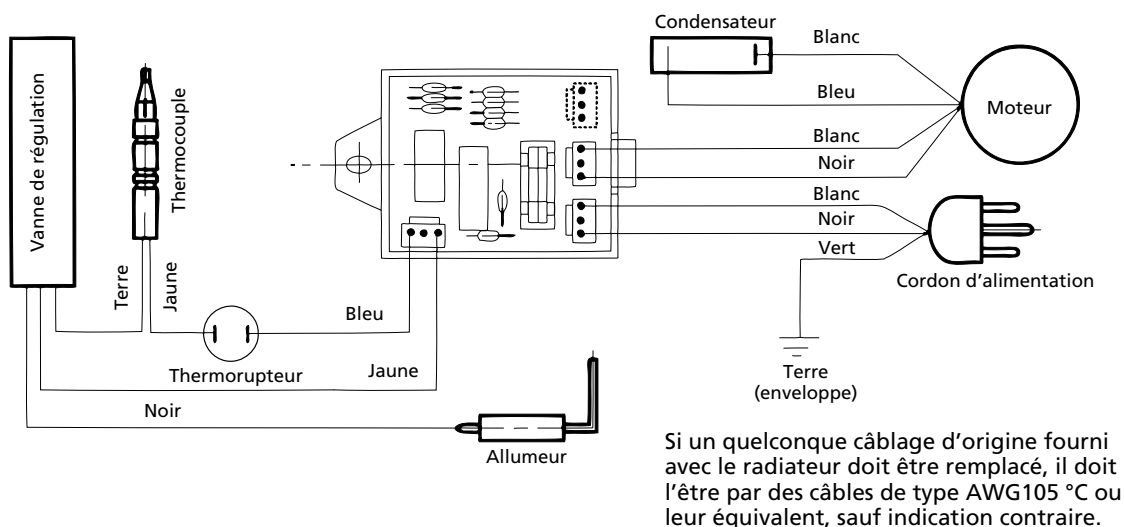


Figure 4 – Modèles à étincelles piézo/manuel 3VE55C

FRANÇAIS

Modèles 3VE54D, 3VE55C, 3VE57D and 3VE58C

**Commandez les pièces détachées en appelant gratuitement
1 800 323-0620**

24 heures par jour – 365 jours par an

S'il vous plaît fournir l'information suivante :

- Numéro de modèle
- Numéro de série (s'il y en a un)
- Description de la pièce et son numéro
comme montré sur la liste de pièces

N° DE			N° DE PIÈCE			
RÉF	DESCRIPTION	QTÉ	3VE54D	3VE55C	3VE57D	3VE58C
1	BOÎTIER	1	2304818	2304818	2304929	2304929
2	BUSE	1	2325121	2304829	2325123	2304944
3	BOUCHON DE PORTE-FLAMME	1	2325120	2304819	*2325122	*2304931
4	SUPPORT DE THERMOCONTACTEUR	1	2304826	2304826	2315515	2304826
5	THERMOCONTACTEUR	1	2206048	2201373	2201373	2201563
6	ÉCROU DE BUSE	1	2304578	2304578	2304945	2304945
7	ENSEMBLE BOUGIE D'ALLUMAGE	1	2206033	2201375	2206034	2201393
8	ENSEMBLE THERMOCOUPLE (1130/1474-425L)	1	2304885	2304885	2304885	2304885
9	GAZ ENSEMBLE DE TUBE	1	2304830	2304830	2325137	2304947
10	ENVELOPPE EXTÉRIEURE - ORANGE	1	2305403	2305403	2305971	2305971
11	ENROULEMENT DE CORDE (certains modèles seulement)	2	N/A	N/A	2101423	2101423
12	ENSEMBLE POIGNÉE - NOIR	1	2101447	2101447	2101447	2101447
12.1	VIS - FRONT DE LA POIGNÉE	1	2001355	2001355	2001355	2001355
12.2	VIS - FRONT DE LA POIGNÉE	1	2001077	2001077	2001077	2001077
12.3	ÉCROU - POIGNÉE ARRIÈRE	1	2000384	2000384	2000384	2000384
13	SUPPORT DE MOTEUR	1	2304823	2304823	2304823	2304823
13.1	MONTAGE DU MOTEUR-BOULON	2	2001332	2001332	2001332	2001332
13.2	DOUILLE	1	2304949	2304949	2304949	2304949
14	MOTEUR	1	2304547	2305909	2304548	2304548
14.1	VENTILATEUR DU MOTEUR	1	2304821	2304821	2304936	2304936
15	GARDE DU VENTILATEUR - NOIR	1	2304828	2304828	2304939	2304939
16	CONSOLE DE MOTEUR	1	2304937	2304824	2304938	2304938
17	VALVE - GAZ	1	5051233	2304820	5051235	5051236
18	INTERRUPTEUR DE PRESSION	1	N/A	N/A	2305976	2305976
19	SUPPORT DE VALVE	1	2304624	2304624	2304624	2304624
20	BASE - NOIR	1	2304923	2304923	2304924	2304924
21	CORDON ÉLECTRIQUE	1	2101670	2101368	2101673	2101673
22	ENTRÉE DU CONNECTEUR	1	2304831	2304831	2304831	2304831
23	CAPACITÉ	1	2201372	2201372	2301390	2201396
24	BASE INFÉRIEURE - NOIR	1	2304925	2304925	2304926	2304926
25	BOUTON DE LA VANNE À GAZ - NOIR	1	2101451	2101451	2101451	2101451
26	RÉGULATEUR DE HAUTEUR - NOIR	1	2304927	2304927	2304928	2304928
27	VIS DE RÉGLAGE DE LA HAUTEUR - NOIR	1	2304510	2304510	2304510	2304510
28	ENSEMBLE FIL DE CONNEXION	1	2201371	2201371	2201371	2201371
29	MODULE À ÉTINCELLES	1	2201391	N/A	2201391	2201391
30	ENSEMBLE CARTE DE CIRCUITS IMPRIMÉS	1	2201369	2201369	2201369	2201369
31	ENSEMBLE RÉGULATEUR ET TUYAU - 10pieds (3mts)	1	5055544	5002614	5055549	TYQ-6E1-LL38-00

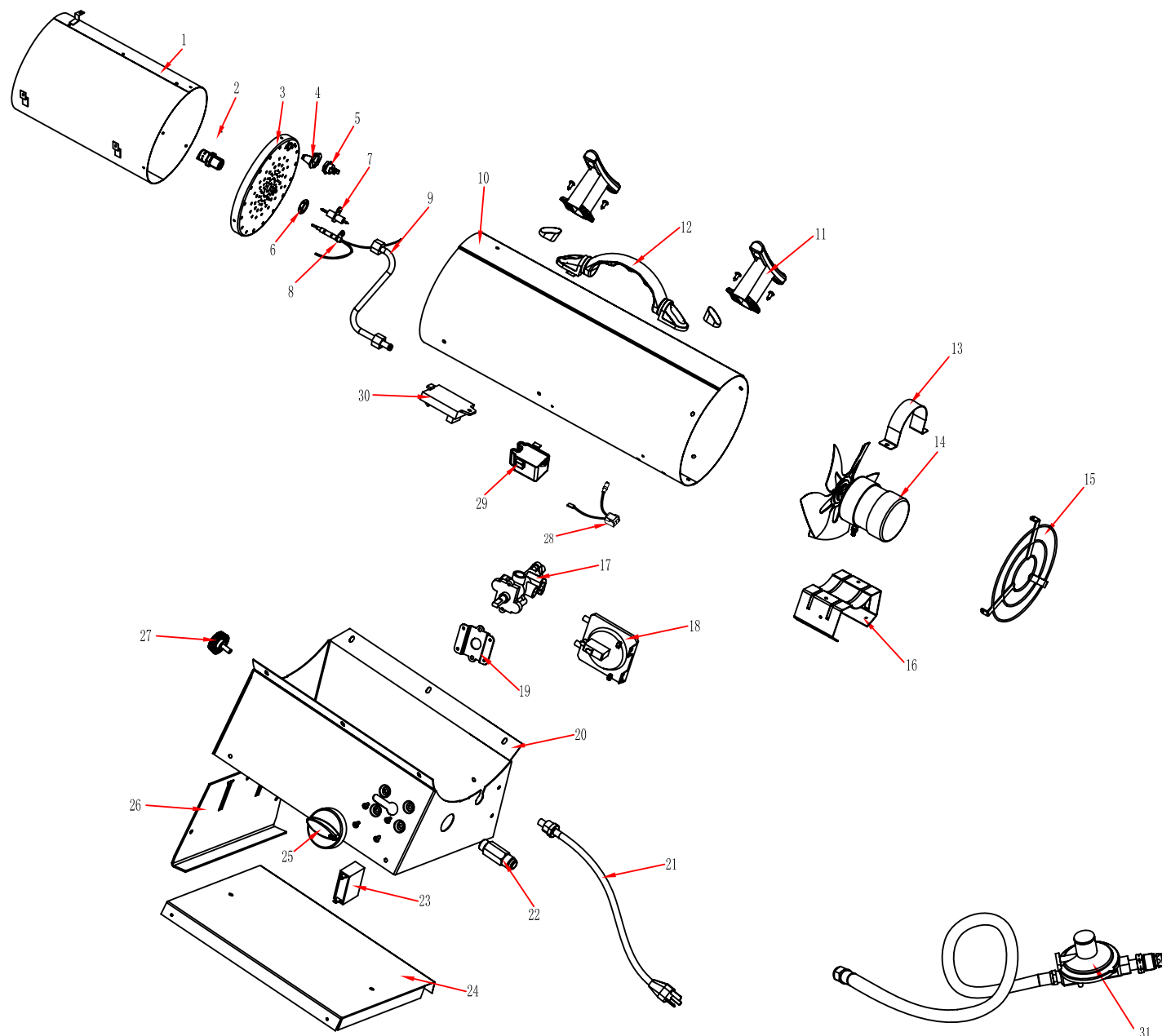
*Non représenté en vue éclatée.

**Commandez les pièces détachées en appelant gratuitement
1 800 323-0620**

24 heures par jour – 365 jours par an

S'il vous plaît fournir l'information suivante :

- Numéro de modèle
- Numéro de série (s'il y en a un)
- Description de la pièce et son numéro
comme montré sur la liste de pièces



FRANÇAIS

Figure 5 – Illustration des pièces détachées pour radiateur de construction au propane

Pour obtenir du soutien technique ou du dépannage, appeler : 1 (800) 323-0620

Radiateurs de construction Dayton®

Tableau de dépannage

Symptôme	Cause(s) possible(s)	Action corrective
1. Le cadran de réglage est éteint et l'unité émet un cliquetis.	1. Cette situation est normale. Ce radiateur utilise un système d'allumage par étincelle continu. Cette unité émet constamment un cliquetis, que ce soit avant ou après l'allumage ou durant le.	1. Aucune mesure corrective n'est nécessaire.
2. L'allumeur émet un cliquetis pendant le radiateur est allumée.	1. Cette situation est normale. Ce radiateur utilise un système d'allumage par étincelle continu. Cette unité émet constamment un cliquetis, que ce soit avant ou après l'allumage ou durant le.	1. Aucune mesure corrective n'est nécessaire.
3. Le ventilateur ne tourne pas lorsque la connexion électrique est effectuée	<ol style="list-style-type: none"> 1. Pas d'alimentation électrique au radiateur 2. La pale du ventilateur entre en contact avec l'intérieur de l'enveloppe du radiateur 3. Pale(s) de ventilateur pliées 4. Moteur du ventilateur défectueux 	<ol style="list-style-type: none"> 1. Vérifier la tension vers la prise électrique. Si la tension est correcte, vérifier le cordon d'alimentation et la rallonge pour y détecter des coupures ou des brisures 2. S'assurer que le boîtier n'est pas endommagé. S'assurer qu'aucune obstruction n'entrave le ventilateur 3. Redresser la ou les lames pour qu'elles correspondent aux autres 4. Remplacer le moteur
4. Le radiateur ne peut être mis à feu	<ol style="list-style-type: none"> 1. Aucune étincelle au niveau de l'allumeur 2. Écart de bougie incorrect 3. Électrode défectueuse 	<ol style="list-style-type: none"> 1. Vérifier le fil de l'allumeur. Réattacher ou serrer si desserré. Vérifier le module à étincelles. Remplacer au besoin. Vérifier tous les composants électriques 2. Régler l'écart à 0,41 mm (0,28 mm modèle 3VE58C) 3. Remplacer la bougie d'allumage
5. Le radiateur s'éteint pendant qu'il fonctionne	<ol style="list-style-type: none"> 1. Température interne trop élevée, ce qui déclenche l'interrupteur et éteint l'appareil 2. Robinet de commande endommagé 3. Accumulation de poussière ou de débris à l'intérieur du radiateur 	<ol style="list-style-type: none"> 1. Si le débit du radiateur est restreint, la température interne devient trop élevée. Déplacer le radiateur pour l'éloigner de toute obstruction 2. Remplacer le robinet de commande 3. Nettoyer l'intérieur du radiateur

Toujours s'assurer de suivre les procédures d'entretien correctes en nettoyant le radiateur une fois par mois pendant son utilisation régulière et vérifier l'écart de bougie au moins une fois par saison.

GARANTIE LIMITÉE

GARANTIE LIMITÉE DE UN AN DE DAYTON. LES MODÈLES DE RADIATEURS DE CONSTRUCTION DAYTON® COUVERTS DANS CE MANUEL SONT GARANTIS À L'UTILISATEUR D'ORIGINE PAR DAYTON ELECTRIC MFG. CO. (DAYTON), CONTRE TOUT DÉFAUT DE FABRICATION OU DE MATÉRIAUX, LORS D'UNE UTILISATION NORMALE, ET CELA PENDANT UN AN APRÈS LA DATE D'ACHAT. TOUTE PIÈCE, DONT LES MATÉRIAUX OU LA MAIN D'OUVRE SERONT JUGÉS DÉFECTUEUX, ET QUI SERA RENVOYÉE PORT PAYÉ, À UN CENTRE DE RÉPARATION AUTORISÉ PAR DAYTON, SERA, À TITRE DE SOLUTION EXCLUSIVE, SOIT RÉPARÉE, SOIT REMPLACÉE PAR DAYTON. POUR LE PROCÉDÉ DE RÉCLAMATION SOUS GARANTIE LIMITEE, REPORTEZ-VOUS À LA CLAUSE DE « DISPOSITION PROMPTE » CI-DESSOUS. CETTE GARANTIE LIMITEE DONNE AUX ACHETEURS DES DROITS LÉGAUX SPÉCIFIQUES QUI VARIENT DE JURIDICTION À JURIDICTION.

LIMITES DE RESPONSABILITÉ. LA RESPONSABILITÉ DE DAYTON, DANS LES LIMITES PERMISES PAR LA LOI, POUR LES DOMMAGES INDIRECTS OU FORTUITS EST EXPRESSEMENT DÉNIÉE. DANS TOUTS LES CAS LA RESPONSABILITÉ DE DAYTON EST LIMITÉE ET NE DÉPASSERA PAS LA VALEUR DU PRIX D'ACHAT PAYÉ.

DÉSISTEMENT DE GARANTIE. DE DILIGENTS EFFORTS SONT FAITS POUR FOURNIR AVEC PRÉCISION LES INFORMATIONS ET ILLUSTRATIONS DES PRODUITS DÉCRITS DANS CETTE BROCHURE; CEPENDANT, DE TELLES INFORMATIONS ET ILLUSTRATIONS SONT POUR LA SEULE RAISON D'IDENTIFICATION, ET N'EXPRIMENT NI N'IMPLIQUENT QUE LES PRODUITS SONT COMMERCIALISABLES, OU ADAPTÉS À UN BESOIN PARTICULIER, NI QUE CES PRODUITS SONT NECESSAIREMENT CONFORMES AUX ILLUSTRATIONS OU DESCRIPTIONS. SAUF POUR CE QUI SUIT, AUCUNE GARANTIE OU AFFIRMATION DE FAIT, ÉNONCÉE OU IMPLICITE, AUTRE QUE CE QUI EST ÉNONCÉ DANS LA « GARANTIE LIMITEE » CI-DESSUS N'EST FAITE OU AUTORISÉE PAR DAYTON.

Désistement sur les conseils techniques et les recommandations. Peu importe les pratiques ou négociations antérieures ou les usages commerciaux, les ventes n'incluent pas l'offre de conseils techniques ou d'assistance ou encore de conception de système. Dayton n'a aucune obligation ou responsabilité quant aux recommandations non autorisées, aux opinions et aux suggestions relatives au choix, à l'installation ou à l'utilisation des produits.

Conformité du produit. De nombreuses juridictions ont des codes et règlements qui gouvernent les ventes, constructions, installations et/ou utilisations de produits pour certains usages qui peuvent varier par rapport à ceux d'une zone voisine. Bien que Dayton essaie de s'assurer que ses produits s'accordent avec ces codes, Dayton ne peut garantir cet accord, et ne peut être jugée responsable pour la façon dont le produit est installé ou utilisé. Avant l'achat et l'usage d'un produit, revoir les applications de ce produit, ainsi que tous les codes et règlements nationaux et locaux applicables, et s'assurer que le produit, son installation et son usage sont en accord avec eux.

Certains aspects de désistement ne sont pas applicables aux produits pour consommateur; ex : (a) certaines juridictions ne permettent pas l'exclusion ou la limitation des dommages indirects ou fortuits et donc la limitation ou exclusion ci-dessus peut ne pas s'appliquer dans le cas présent; (b) également, certaines juridictions n'autorisent pas de limitations de durée de la garantie implicite, en conséquence, la limitation ci-dessus peut ne pas s'appliquer dans le cas présent; et (c) par force de loi, pendant la période de cette Garantie Limitée, toutes garanties impliquées de commerciabilité ou d'adaptabilité à un besoin particulier applicables aux produits de consommateurs achetés par des consommateurs, peuvent ne pas être exclues ni autrement désistées.

Disposition prompte. Un effort de bonne foi sera fait pour corriger ou ajuster rapidement tout produit prouvé défectueux pendant la période de la garantie limitée. Pour tout produit considéré défectueux pendant la période de garantie limitée, contacter tout d'abord le concessionnaire où l'appareil a été acheté. Le concessionnaire doit donner des instructions supplémentaires. S'il est impossible de résoudre le problème de façon satisfaisante, écrire à Dayton à l'adresse ci-dessous, en indiquant le nom et l'adresse du concessionnaire, la date et le numéro de la facture du concessionnaire, et en décrivant la nature du défaut. Le titre et le risque de perte passent à l'acheteur au moment de la livraison par le transporteur. Si le produit a été endommagé pendant le transport, une réclamation doit être faite auprès du transporteur.

Fait pour Dayton Electric Mfg. Co., Niles, Illinois 60714 U.S.A.
par GHP Group, Inc., Morton Grove, IL

Dayton®