



HEAD AND FACE

Helmet Selection Guide

Feature	Classic Series FS#10	Classic Series Variable Shade	Classic Series VS1™	Digital Pro-Hobby™	Digital Performance™	Digital Elite™	Titanium 1600™	Titanium 1600i™	Digital Titanium 7300™	Digital Titanium 9400™	Digital Titanium 9400i™
	UPGRADE	UPGRADE	UPGRADE	UPGRADE	UPGRADE	UPGRADE	UPGRADE	UPGRADE	UPGRADE	UPGRADE	UPGRADE
Viewing Area	5.15 sq. in.	5.15 sq. in.	5.15 sq. in.	6.06 sq. in.	7.22 sq. in.	9.22 sq. in.	16 sq. in.	16 sq. in.	7.22	9.22	9.22
Shades	10	8-12	8-13	8-13	Cut: 5-8 Weld: 8-13	Cut: 5-8 Weld: 8-13	10	10	Cut: 5-8 Weld: 8-13	Cut: 5-8 Weld: 8-13	Cut: 5-8 Weld: 8-13
Modes	Weld	Weld	Weld/X-mode	Weld/Grind	Weld/Cut/Grind	Weld/Cut/ Grind/X-mode	N/A	N/A	Weld/Cut/ X-mode/ External Grind	Weld/Cut/ X-mode/ External Grind	Weld/Cut/ X-mode
Integrated Grind Shield	No	No	Yes	No	No	No	No	Yes	No	No	Yes
Auto-on	Yes	Yes	Yes	Yes	Yes	Yes	N/A	N/A	Yes	Yes	Yes
Sensors	2	2	3	2	3	4	N/A	N/A	3	4	4
TIG Rating	20 amps	20 amps	5 amps/below	20 amps	5 amps	5 amps/below	N/A	N/A	5 amps/below	5 amps/below	5 amps/below
Switching Speed	1/3,600	1/10,000	1/20,000	1/20,000	1/20,000	1/20,000	N/A	N/A	1/20,000	1/20,000	1/20,000
Digital Controls	No	No	No	Yes	Yes	Yes	No	No	Yes	Yes	Yes
New Headgear	No	No	No	Yes	Yes	Yes	No	No	Yes	Yes	Yes
InfoTrack™	No	No	No	No	No	No	No	No	Yes	Yes	Yes
Weight	16 oz. (454 g)	16 oz. (454 g)	23 oz. (652 g)	16 oz. (454 g)	17 oz. (482 g)	18 oz. (510 g)	17 oz. (482 g)	22.5 oz. (638 g)	19 oz. (539 g)	20 oz. (567 g)	24 oz. (680 g)

NEW! Features

See page 8 for helmet accessories and packages.



Digital controls easily allow welder to adjust shade, delay, and sensitivity.



External grind on Titanium 7300 and 9400 helmets allows welder to switch to grind mode with the push of a button.



New headgear features unsurpassed fit and durability. Provides extensive adjustability settings and a pivoting top for better fit and comfort.



EXCLUSIVE! InfoTrack™ technology on Titanium helmets allows the lens to track the arc time while under the hood. Includes a digital clock display with the ability to set an alarm or timer.

Titanium Series™

Industrial Helmets for the Most Extreme Welding and Grinding Applications

Four Operating Modes: weld, cut, grind and X-Mode (not available on 1600/1600i models).

X-Mode eliminates sunlight interference and low-amperage lens opening from obstructed sensors (not available on 1600/1600i models).

Silver Shell reflects heat to keep helmet and user cool.

Aluminum Heat Shield protects analog lens in high-amperage applications.

Note: Titanium 1600 and 1600i models have a 30-day limited warranty.



TITANIUM 9400i™
#256 177

Features Integrated Grinding Shield



TITANIUM 9400™
#256 176



TITANIUM 7300™
#256 175



NEW! TITANIUM 1600i™
#255 519

Features Integrated Grinding Shield



TITANIUM 1600™
#245 799



ARC ARMOR® WELDING PROTECTION

Digital Elite™ Series

Four Arc Sensors and Four Modes: weld, cut, grind and X-Mode.

X-Mode eliminates sunlight interference and low-amperage lens opening from obstructed sensors.

Ultimate Helmets PLUS Four Modes of Digital Versatility for Most Welding and Cutting Applications



NEW!
*Not Forgotten™
#260 127

NEW!
Vintage Roadster™
#259 485

NEW!
Fury™
#256 158

Lucky's Speed Shop™
#257 214

Stars and Stripes II™
#257 216

Inferno™
#257 217

The Joker™
#257 218

Camouflage
#256 173

Black
#257 213

* Miller will be donating \$10 to the National League of POW/MIA Families (pow-miafamilies.org) for each helmet sold.

Digital Performance™ Series

Three Arc Sensors and Three Modes: weld, cut and grind.

Mid-Range Helmets for Most Welding Applications



NEW! Velocity™
#260 936

NEW! Illusion™
#256 165

'64 Custom™
#256 160

America's Eagle™
#256 161

Camouflage
#256 163

Blue Rage™
#256 164

Black
#256 159

Digital Pro-Hobby™ Series

Two Arc Sensors and Two Modes: weld and grind.

Ideal Helmets for Light Duty Applications



NEW! Metalworks™
#259 486

American Eagle™ II
#256 167

Red Flame
#256 168

Camouflage
#256 169

Black
#256 166

Classic Series

Miller® Quality for the Value-Minded Welder Who Wants an Auto-Darkening Lens

- VSi model features integrated grinding shield and X-Mode.



FS#10:
#231 703 (4 Pk)
Variable Shade:
#251 292

NEW! VSi™:
#260 938



MP-10™ Series

Miller Quality in a Non-Auto-Darkening Helmet

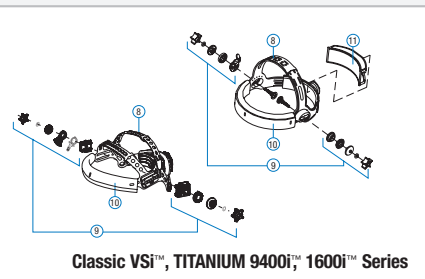
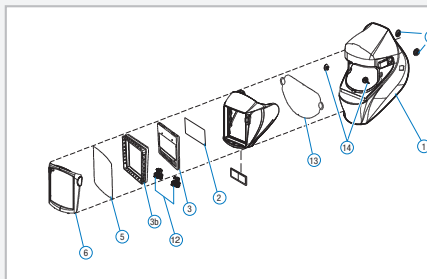
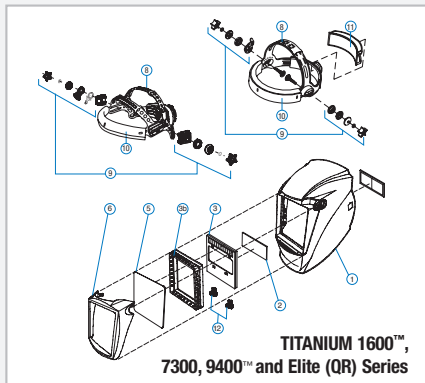
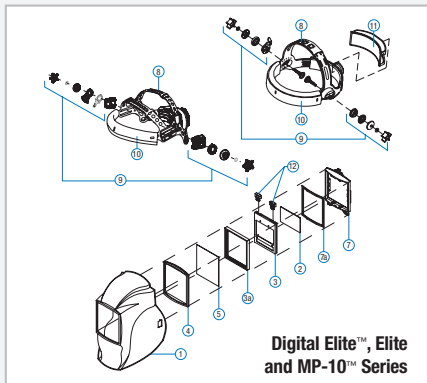
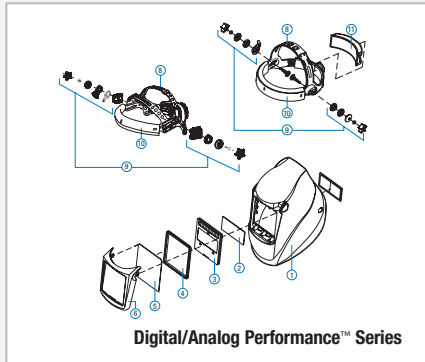
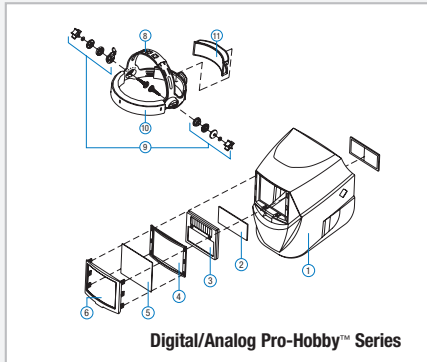
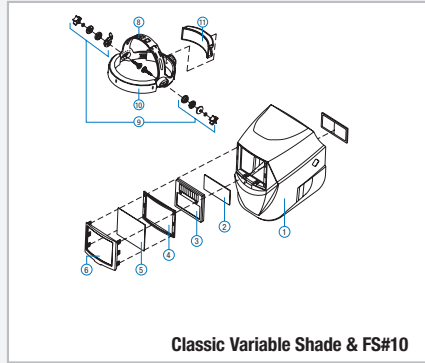
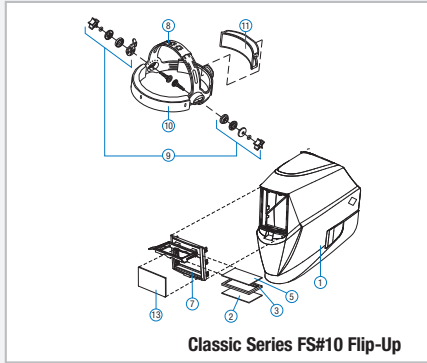
- Passive Shade 10 Lens
- 30-Day Limited Warranty
- Upgradable to an Auto-Darkening Lens



Inferno™
#235 627 (6 pack)
#238 496 (Each)

Black
#235 626 (6 pack)
#238 497 (Each)

Auto-Darkening Helmet Replacement Parts



Item #	Description	MP-10 Series
1	Helmet shell, Black	216 331
	Helmet shell, Black (QR)	-
	Helmet shell, American Eagle	-
	Helmet shell, Red Flame	-
	Helmet shell, Millermatic	-
	Helmet shell, Blue Flame	-
	Helmet shell, Fire Ball	-
	Helmet shell, Camouflage	-
	Helmet shell, Stars and Stripes II	-
	Helmet shell, Inferno	223 454
	Helmet shell, '29 Roadster	-
	Helmet shell, Lucky's Speed Shop	-
	Helmet shell, UA Series 1	-
	Helmet shell, Blue Rage	-
	Helmet shell, Hockey Canada	-
	Helmet shell, Joker (Black)	-
	Helmet shell, Vintage (Orange)	-
	Helmet shell, Titanium (QR)	-
	Helmet shell, Dig Camo	-
	Helmet shell, Sinister	-
	Helmet shell, Illusion	-
	Helmet shell, Fury	-
	Helmet shell, '64 Custom	-
	Helmet shell, Blue Heat	-
	Helmet shell, Metalworks	-
	Helmet shell, Vintage Roadster	-
	Helmet shell, Not Forgotten	-
	Helmet shell, Velocity	-
2	Inside lens cover (5 1/4 x 4 1/2 in) (5-pkg)	235 628
	Inside lens cover (4 1/4 x 2 in) (5-pkg)	-
	Inside lens cover (4 1/4 x 2 1/2 in) (5-pkg)	-
	Inside lens cover (4 1/4 x 1 3/4 in) (5-pkg)	-
3	Auto-darkening lens assembly	-
	Filter plate	235 630
3a	Gasket, auto-darkening lens assy	-
3b	Gasket, Lens assembly (QR)	-
4	Gasket, front lens	216 337
5	Front lens cover (4 1/4 x 2 in) (5-pkg)	-
	Front lens cover (4 1/2 x 3 3/4 in) (5-pkg)	-
	Front lens cover (4 3/8 x 5 in) (5-pkg)	-
	Front lens cover (4 11/16 x 5 5/8 in) (5-pkg)	216 326
	Front lens cover (4 5/8 x 3 3/4 in) (5-pkg)	-
	Front lens cover (4 1/2 x 3 3/8 in) (5-pkg)	-
	Front lens cover (4 1/4 x 2 in) (5-pkg)	-
	Front lens cover (5 1/4 x 4 1/2 in) (5-pkg)	-
6	Front lens holder, Black, flat	-
	Front lens holder, Gray	-
	Front lens holder, Red	-
	Front lens holder, Gloss Black	-
	Front lens holder, Blue	-
	Front lens holder, Yellow	-
	Front lens holder, Camouflage	-
	Front lens holder, Light Blue	-
	Front lens holder, White	-
	Front lens holder, Titanium	-
7	Frame, lens holding	216 335
7a	Spacer, lens holding (MP-10)	235 629
8	Ratchet headgear assembly (includes #9 & #10)	770 246
9	Adjustment angle/stop hardware kit	770 248
10	Fabric headband	770 249
	Replacement o-rings for kit #770 248 (5 per pkg)	079 975
11	Comfort cushion	216 336
12	Battery tray, kit (left/right)	-
	Battery, lithium CR2450 (not shown)	-
	Battery cover (not shown)	-
13	Lens, Grinding Shield (Clear)	-
14	Clips, Retaining Grinding Shield	-
15	Button, Replacement External Grind	-
16	Clips, Visor Hinge (i-Series Shell)	-
17	Lens Tear-Off, Grind Shield (Clear) (not shown)	-



ARC ARMOR® WELDING PROTECTION

Classic Series				Pro-Hobby Series		Performance Series		Elite Series		TITANIUM 1600™	TITANIUM 1600i™	TITANIUM 7300™		TITANIUM 9400™		TITANIUM 9400i™	
FS#10	VS		FS#10 Flip-Up	ANALOG	DIGITAL	ANALOG	DIGITAL	ANALOG	DIGITAL			ANALOG	DIGITAL	ANALOG	DIGITAL	ANALOG	DIGITAL
231 415	231 415	261 824	231 415	231 415	231 415	232 020	232 020	216 331	216 331	-	-	-	-	-	-	-	-
-	-	-	-	-	-	-	-	241 976	241 976	-	-	-	-	-	-	-	-
-	-	-	-	231 416	231 416	232 021	232 021	-	-	-	-	-	-	-	-	-	-
-	-	-	-	231 419	231 419	-	-	216 332	216 332	-	-	-	-	-	-	-	-
-	-	-	-	231 417	231 417	232 023	232 023	-	-	-	-	-	-	-	-	-	-
-	-	-	-	-	-	237 160	237 160	-	-	-	-	-	-	-	-	-	-
-	-	-	-	-	-	234 513	234 513	-	-	-	-	-	-	-	-	-	-
-	-	-	-	231 418	231 418	241 461	241 461	227 190	227 190	-	-	-	-	-	-	-	-
-	-	-	-	-	-	-	-	234 066	234 066	-	-	-	-	-	-	-	-
-	-	-	-	-	-	-	-	223 454	223 454	-	-	-	-	-	-	-	-
-	-	-	-	-	-	-	-	225 864	225 864	-	-	-	-	-	-	-	-
-	-	-	-	-	-	-	-	237 872	237 872	-	-	-	-	-	-	-	-
-	-	-	-	-	-	-	-	229 366	229 366	-	-	-	-	-	-	-	-
-	-	-	-	-	-	241 459	241 459	-	-	-	-	-	-	-	-	-	-
-	-	-	-	-	-	-	-	245 136	245 136	-	-	-	-	-	-	-	-
-	-	-	-	-	-	-	-	247 058	247 058	-	-	-	-	-	-	-	-
-	-	-	-	-	-	-	-	247 059	247 059	-	-	-	-	-	-	-	-
-	-	-	-	-	-	-	-	-	-	243 530	245 820	243 530	258 601	243 530	258 601	245 820	2458 20
-	-	-	-	-	-	-	-	248 261	248 261	-	-	-	-	-	-	-	-
-	-	-	-	-	-	-	-	250 089	250 089	-	-	-	-	-	-	-	-
-	-	-	-	-	-	256 171	256 171	-	-	-	-	-	-	-	-	-	-
-	-	-	-	-	-	-	-	256 172	256 172	-	-	-	-	-	-	-	-
-	-	-	-	-	-	250 533	250 533	-	-	-	-	-	-	-	-	-	-
-	-	-	-	250 367	250 367	-	-	-	-	-	-	-	-	-	-	-	-
-	-	-	-	260 087	260 087	-	-	-	-	-	-	-	-	-	-	-	-
-	-	-	-	-	-	-	-	260 086	260 086	-	-	-	-	-	-	-	-
-	-	-	-	-	-	-	-	260 128	260 128	-	-	-	-	-	-	-	-
-	-	-	-	-	-	260 937	260 937	-	-	-	-	-	-	-	-	-	-
-	-	-	-	-	-	-	-	-	-	235 628	235 628	-	-	-	-	-	-
-	-	-	770 237	-	-	770 237	770 237	-	-	-	-	770 237	770 237	-	-	-	-
-	-	-	-	-	-	-	-	216 327	216 327	-	-	-	-	216 327	216 327	216 327	216 327
231 410	231 410	231 410	-	231 410	231 410	-	-	-	-	-	-	-	-	216 327	216 327	216 327	216 327
231 571	251 293	261 826	770 226	231 409	256 467	232 026	256 468	216 328	256 469	-	-	245 816	256 358	245 817	256 359	245 817	256 360
-	-	-	-	-	-	-	-	-	-	235 630	235630	-	-	-	-	-	-
-	-	-	-	-	-	-	-	234 758	234 758	-	-	-	-	-	-	-	-
-	-	261 827	-	-	-	-	-	241 977	241 977	245 813	245 813	245 814	241 977	241 977	241 977	241 977	241 977
231 412	231 412	-	-	231 412	231 412	232 028	232 028	216 337	216 337	-	-	-	-	-	-	-	-
-	-	-	770 237	-	-	-	-	-	-	-	-	-	-	-	-	-	-
231 411	231 411	-	-	231 411	231 411	-	-	-	-	-	-	-	-	-	-	-	-
-	-	-	-	-	-	231 921	231 921	-	-	-	-	-	-	-	-	-	-
-	-	-	-	-	-	-	-	216 326	216 326	216 326	216 326	216 326	216 326	216 326	216 326	216 326	216 326
-	-	-	-	-	-	-	-	-	-	-	-	-	-	-	-	-	-
-	-	-	-	-	-	-	-	-	-	-	-	-	-	-	-	-	-
-	-	235 628	-	-	-	-	-	-	-	-	-	-	-	-	-	-	-
231 572	231 572	261 828	-	231 572	231 572	232 030	232 030	241 978	241 978	-	-	-	-	-	-	-	-
-	-	-	-	231 573	231 573	232 031	232 031	-	-	-	-	-	-	-	-	-	-
-	-	-	-	231 574	231 574	203 586	203 586	-	-	-	-	-	-	-	-	-	-
-	-	-	-	-	-	232 032	232 032	-	-	-	-	-	-	-	-	-	-
-	-	-	-	231 575	231 575	232 033	232 033	-	-	-	-	-	-	-	-	-	-
-	-	-	-	-	-	232 034	232 034	-	-	-	-	-	-	-	-	-	-
-	-	-	-	231 576	231 576	243 395	243 395	-	-	-	-	-	-	-	-	-	-
-	-	-	-	-	-	251 278	251 278	-	-	-	-	-	-	-	-	-	-
-	-	-	-	-	-	257 041	257 041	-	-	-	-	-	-	-	-	-	-
-	-	-	-	-	-	-	-	-	-	243 396	245 815	243 396	243 396	243 396	243 396	245 815	245 815
-	-	261 829	-	-	-	-	-	216 335	234 759	-	-	-	-	-	-	-	-
-	-	-	-	-	-	-	-	-	-	-	-	-	-	-	-	-	-
770 246	770 246	770 246	7702 46	770 246	256 174	770 246	256 174	770 246	256 174	770 246	770 246	770 246	256 174	770 246	256 174	770 246	256 174
770 248	770 248	770 248	770 248	770 248	256 178	770 248	256 178	770 248	256 178	770 248	770 248	770 248	256 178	770 248	256 178	770 248	256 178
770 249	770 249	770 249	770 249	770 249	770 249	770 249	770 249	770 249	770 249	770 249	770 249	770 249	770 249	770 249	770 249	770 249	770 249
079 975	079 975	079 975	079 975	079 975	079 975	079 975	079 975	079 975	079 975	079 975	079 975	079 975	079 975	079 975	079 975	079 975	079 975
216 336	216 336	216 336	216 336	216 336	-	216 336	-	216 336	-	216 336	216 336	216 336	-	216 336	-	216 336	-
-	-	-	-	-	256 729	232 027	256 730	216 339	216 339	-	-	216 339	216 339	216 339	216 339	216 339	216 339
-	AAA Alkaline	217 043	-	AAA Alkaline	2170 43 (2)	217 043	217 043 (2)	217 043 (2)	217 043 (2)	-	-	217 043	217 043 (2)	217 043 (2)	217 043 (2)	217 043 (2)	217 043 (2)
-	231 413	217 044	-	231 413	-	-	-	-	-	-	-	-	-	-	-	-	-
-	-	245 818	261 830	-	-	-	-	-	-	-	245 818	-	-	-	-	245 818	245 818
-	-	245 819	-	-	-	-	-	-	-	-	245 819	-	-	-	-	245 819	245 819
-	-	-	-	-	-	-	-	-	-	-	-	256 179	-	256 179	-	-	-
-	-	255 070	-	-	-	-	-	-	-	-	255 070	-	-	-	255 070	255 070	-
-	-	254 278	-	-	-	-	-	-	-	-	254 278	-	-	-	254 278	254 278	-



HEAD AND FACE

Auto-Darkening Helmet Accessories

Magnifying Lenses for All Miller Helmets

- #212 235 0.75 magnification
- #212 236 1.00 magnification
- #212 237 1.25 magnification
- #212 238 1.50 magnification
- #212 239 1.75 magnification
- #212 240 2.00 magnification
- #212 241 2.25 magnification
- #212 242 2.50 magnification

Magnifying lens size is 4 1/2" x 2" x 5/23"



Helmet Bib

#253 882

- WeldX™ helmet bib provides added protection
- Velcro® attachment



Helmet Hook

#251 018

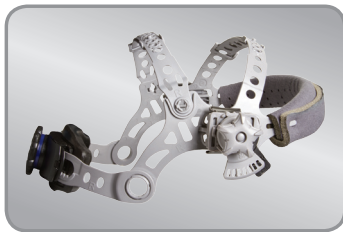
- Holds welding helmets, grinding shields or other helmets with a headgear
- Silicone strap secures the helmet in place



Helmet Bag with Miller® Logo

#770 250

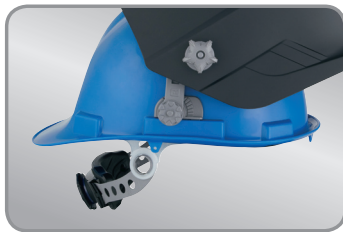
Features drawstring closure, ultra-soft inside liner and convenient exterior storage pouch for gloves, glasses, etc.



NEW! Headgear

#256 174

- Improved comfort with dual top straps and pivoting back strap
- New easy-turn ratchet for better fit
- Simple squeeze and slide depth adjustment



NEW! Slotted Hard Hat Adapter

#260 940

Compatible with most slotted hard hats.
* Helmet and hard hat not included



Hard Hat Adapter

#213 110 (XL and XLi)
#222 003 (Titanium, XLix, Elite, Performance, ProHobby, Classic and MP-10 Series)

Adapters are compatible with Fibre Metal and MSA hards. Other brands may or may not fit depending on overall size and shape.

*Helmet and hard hat not included



Digital Elite Upgrade Kit

#236 052

Consisting of a Digital lens, lens gasket, and lens holder, this kit gives standard Elite and MP-10 helmet owners the option to upgrade their helmet to the new digital technology at a savings.

Safety Glasses

- Form fitting orbital eye coverage
- Shatterproof polycarbonate lenses
- Soft foam protection guards dust and perspiration from the eye
- Shade 3.0 and 5.0 Glasses feature reflective outer coating providing ultraviolet protection and enhanced contrast with minimal glare
- Meets ANSI Z87.1 Standards

Clear Lens

#238 979 (Black frame)

Smoked Lens

#235 656 (Black frame)

#235 655 (Blue frame)

Shade 3.0 Lens

#235 662 (Black frame)

#235 661 (Blue frame)

#235 663 (Orange frame)

Shade 5.0 Lens

#235 658 (Black frame)

#235 657 (Blue frame)

#235 659 (Orange frame)



2x4 Auto-Darkening Lenses

- Fits all 2x4 inch windows
- Auto-On/Auto-Off
- Light state shade #3
- 2 Year Warranty

#770 660 (Shade 8)

#770 659 (Shade 9)

#770 226 (Shade 10)





ARC ARMOR® WELDING PROTECTION

Head Threads



Caps available in 6 different sizes and are reversible to a solid color

Caps have low, 6-1/2 in crown with soft bill

Bandannas have a terry cloth insert sewn into the sweatband

Made from 100% cotton

Head Thread Size Chart

• Bandannas have a sewn-in sweatband • Caps are reversible with a low, soft bill

Caps	Size 7	Size 7-1/8	Size 7-1/4	Size 7-3/8	Size 7-1/2	Size 7-3/4
American Pride	230 553	230 554	230 555	230 556	230 557	230 558
Blue Flame	230 535	230 536	230 537	230 538	230 539	230 540
Dragon	230 547	230 548	230 549	230 550	230 551	230 552
Ghost Skulls	230 541	230 542	230 543	230 544	230 545	230 546
NEW! Miller® Logos	258 322	258 323	258 325	258 326	258 327	230 328
Bandannas (One Size Only)	Black 250 904	Dragon 230 560	Maple Leaf 250 905	NEW! Miller® Logos 258 440	Skull & Barbed Wire 230 559	

Protection Paks



Starter Pak Includes:

- Black Classic VS Auto-Darkening Helmet
- Classic Cloth Welding Jacket
- MIG Welding Gloves
- Metalworker Gloves
- Job-Site Toolbag
- Safety Glasses

#255 848 Large
#255 850 X-Large
#255 851 2X-Large

Performance Pak Includes:

- Black Digital Performance™ Series Auto-Darkening Helmet
- Indura® Welding Jacket
- MIG Welding Gloves
- Metalworker Gloves
- Job-Site Toolbag
- Safety Glasses

#240 886 Large
#240 887 X-Large
#240 888 2X-Large

Job-Site Tool Bag

Our Tool Bag is Perfect for Transporting Your Welding Protection Products to and from the Jobsite

#228 028



Unzipped, the bag has an opening of 12 x 18-1/2 in

Comfortable and well-padded shoulder strap

Over 20 separate pockets to store a variety of items