

PLEASE READ AND SAVE THESE INSTRUCTIONS.

Read carefully before attempting to assemble, install, operate or maintain the product described. Protect yourself and others by observing all safety information. Failure to comply with instructions could result in personal injury and/or property damage! Retain instructions for future reference.

Dayton® Stainless Steel Wall Mount Fans

Description

The 2LYW4, 2LYW5 and 2LYW6 Stainless Steel Washdown® Wall Mount air circulator fans are designed to withstand moist/wet environments and high pressure cleaning with concentrated caustic solutions, without affecting performance or functionality. They are specifically designed for the food service industry.

- Constructed with Electro-polished 304 Stainless Steel approved by the USDA and the NSF for "Food Zones"
- Motor washdown specification is IEC-IP55
- 115V, 1/15 HP and 115/230V, 1/4 HP or 1/3 HP, 1 Phase, TENV, Ball Bearing, BISSC Approved Motor
- UL/CUL Listed

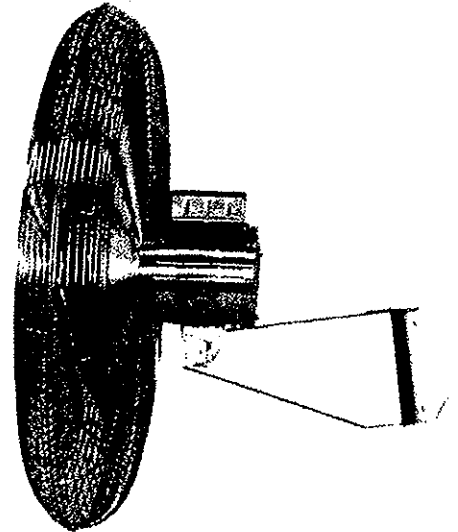
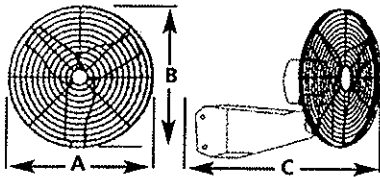


Figure 1

Specifications

Model	CFM	HP	Propeller Dia.	Fan RPM	Volts	F.L. Amps	Dimensions			Weight lbs.
							A	B	C	
2LYW4	2,670	1/15	20"	1600	115	1.08	22.5"	22.5"	23"	52
2LYW5	5,220	1/4	24"	1075	115/230	3.28/1.68	27"	27"	23"	62
2LYW6	8,800	1/3	30"	1075	115/230	3.7/1.88	33"	33"	23"	64

Unpacking

After unpacking unit, inspect carefully for any damage that may have occurred during transit. Check for loose, missing, or damaged parts. Shipping damage claim must be filed with carrier. Please make note of the model and serial numbers here for future reference.

General Safety Information

⚠ WARNING To reduce the risk of fire or electric shock do not use any solid-state speed control device with this fan.

⚠ CAUTION Disconnect fan from power supply before servicing to reduce risk of fire or electric shock.

Installation

MOUNTING

Securely fasten adapter plate to wall stud /beam with bolts, nuts and lock washers or suitable screws provided by end user.

Locate enclosed bag of hardware and attach motor bracket to adapter plate with two 5/16" bolts. The 5/16" bolt heads shall rest against motor bracket, while the 5/16" nut and lock washer reside against adapter plate. A Safety Cable Kit is provided and must be used.

MOUNTING THE MOTOR

Locate motor mounting bag of hardware in motor box. Place motor yoke mount over wall mount. Attach motor using a 1/2" bolt through large hole in motor yoke mount/wall mounting assembly and securing with 1/2" nut and lock washer. Place flat washer on the 1/4" bolt, insert bolt through groove in motor yoke and small hole of wall mount assembly, secure with flat washer and 1/4" nut. With motor mounting yoke pointing downward, drain holes will be positioned on bottom of motor; two will be located in endbells and one in junction box.

E
N
G
L
I
S
H

E
S
P
A
Ñ
O
L

F
R
A
N
Ç
A
I
S

Dayton® Stainless Steel Wall Mount Fans

E
N
G
L
I
S
H

Installation (Continued)

SAFETY CABLE INSTRUCTIONS

To insure maximum safety, a Safety Cable is included. The safety cable will prevent fan from falling. The safety cable devise consists of a 12" cable, a wire crimp on one end forming a loop and a "U" clamp. Place safety cable over ceiling rafter, beam, joist, etc., threading the end of the cable through loop. Thread cable through upper portion of both front and rear guards, remove slack from cable and secure cable in place with provided "U" clamp. To insure safe operation of fan, it is required to discard unused tail end of cable.

ELECTRICAL CONNECTIONS

Before attempting to make electrical connections, check for proper grounding of motor and application. All electrical contacts and connections must be properly insulated and enclosed. All mechanical connections must be secure and in alignment to insure safe operation. Prior to connecting to the power source, check motor nameplate for proper voltage and rotation connections. Ground Fault Interrupter circuitry is required. Unit (motor/fan) should be installed in compliance with National Electrical Code and any other applicable codes.

Voltage at motor is not to exceed $\pm 10\%$ of nameplate voltage. Authorized person should make all electrical connections. Wiring diagrams are located on inside of junction box cover. When hard wiring fan in a stationary position, remove both non-watertight plugs from junction box and replace with UL approved watertight or water resistant compression fittings, conduit, flexible cords, etc. One watertight plug has been supplied with the bag of hardware, located in motor box and should be used to plug motor mounting unused / second hole in junction box.

Maintenance

MAINTENANCE NOTES

This unit has rotating parts, and safety precautions should be exercised. Very little to no maintenance should be required under conditions of normal service. Motor is supplied with prelubricated ball bearings, lubricated for life of the motor. Periodical cleaning to remove build up of foreign material

is suggested. Failure to do so may result in unwanted vibration and / or premature motor failure. Capacitor covers may eventually require replacement.

CLEANING NOTES

Fan and motor should be cleaned and inspected regularly. First, insure power is locked in off position. Do not expose propeller to extended periods of direct water pressure as this may result in excessive vibration due to blade misalignment. Maximum washdown pressure shall not exceed 900 pounds per square inch (psi).

NOTE: These instructions contain usual methods of installation, maintenance and cleaning for which the products were designed. They do not claim to cover all details for every possible situation that might be encountered with the installation, maintenance and cleaning. Consult your local Dayton® distributor for problems not covered in these instructions.

INSTALLATION RECORD

Please complete for future use.

Model # _____

Serial # _____

Purchased from _____

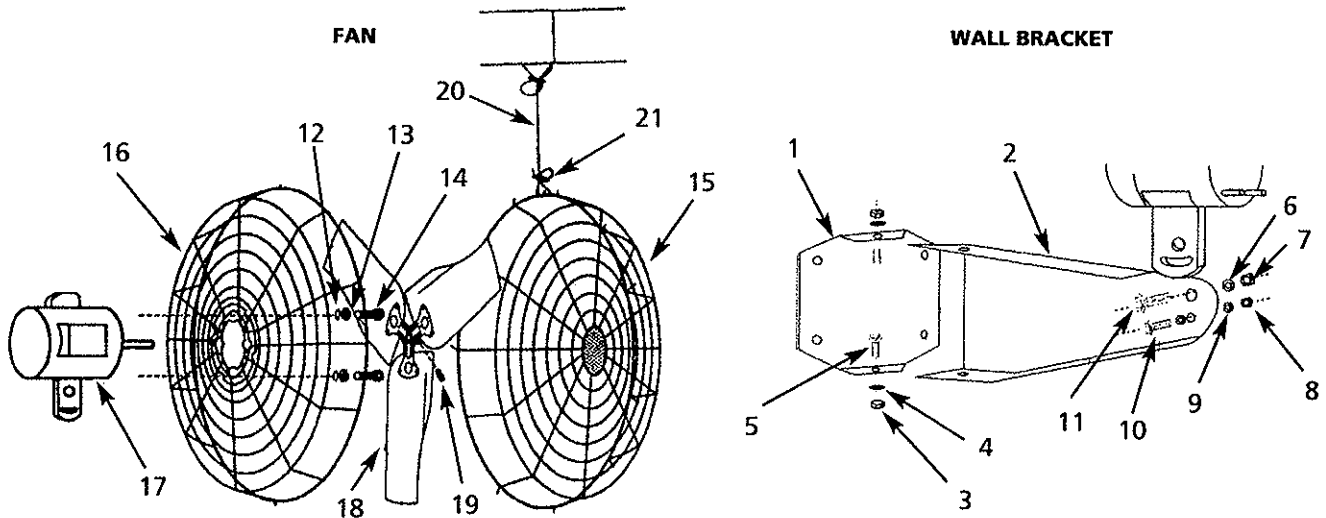
Date Purchased _____ Date Installed _____

For Repair Parts, call 1-800-323-0620

24 hours a day – 365 days a year

Please provide following information:

- Model number
- Serial number (if any)
- Part description and number as shown in parts list



E
N
G
L
I
S
H

Figure 2 – Repair Parts Illustration for Stainless Steel Wall Mount Fans

Repair Parts List for Stainless Steel Wall Mount Fans

Reference Number	Description	Part Number for Models:			Quantity
		2LYW4	2LYW5	2LYW6	
1	Adapter Plate	05201	05201	05201	1
2	Motor Bracket	05202	05202	05202	1
3	5/16-18 Nut	06192	06192	06192	2
4	5/16" Lock Washer	06189	06189	06189	2
5	5/16-18 Bolt	06194	06194	06194	2
6	1/2" Lock Washer	06188	06188	06188	1
7	1/2-13 Nut	06191	06191	06191	1
8	1/4-20 Nut	06190	06190	06190	1
9	1/4 Washer	06196	06196	06196	2
10	1/4-20 Bolt	06193	06193	06193	1
11	1/2-13 Bolt	06199	06199	06199	1
12	Washer Flat	06184	06184	06184	4
13	Lock Washer	06183	06183	06183	4
14	3/8-16 Bolt	06185	06185	06185	4
15	Front Guard	01886	07088	07084	1
16	Rear Guard	01887	07089	07085	1
17	Motor	78039	78040	78042	1
18	Blade	05245	05246	72401	1
19	Set Screw	06186	06186	06186	1
20	Safety Cable	00107	00107	00107	1
21	Cable Clamps	00109	00109	00109	1

Dayton® Stainless Steel Wall Mount Fans

E
N
G
L
I
S
H

LIMITED WARRANTY

DAYTON ONE-YEAR LIMITED WARRANTY. DAYTON® STAINLESS STEEL WALL MOUNT FANS, MODELS COVERED IN THIS MANUAL, ARE WARRANTED BY DAYTON ELECTRIC MFG. CO. (DAYTON) TO THE ORIGINAL USER AGAINST DEFECTS IN WORKMANSHIP OR MATERIALS UNDER NORMAL USE FOR ONE YEAR AFTER DATE OF PURCHASE. ANY PART WHICH IS DETERMINED TO BE DEFECTIVE IN MATERIAL OR WORKMANSHIP AND RETURNED TO AN AUTHORIZED SERVICE LOCATION, AS DAYTON DESIGNATES, SHIPPING COSTS PREPAID, WILL BE, AS THE EXCLUSIVE REMEDY, REPAIRED OR REPLACED AT DAYTON'S OPTION. FOR LIMITED WARRANTY CLAIM PROCEDURES, SEE "PROMPT DISPOSITION" BELOW. THIS LIMITED WARRANTY GIVES PURCHASERS SPECIFIC LEGAL RIGHTS WHICH VARY FROM JURISDICTION TO JURISDICTION.

LIMITATION OF LIABILITY. TO THE EXTENT ALLOWABLE UNDER APPLICABLE LAW, DAYTON'S LIABILITY FOR CONSEQUENTIAL AND INCIDENTAL DAMAGES IS EXPRESSLY DISCLAIMED. DAYTON'S LIABILITY IN ALL EVENTS IS LIMITED TO AND SHALL NOT EXCEED THE PURCHASE PRICE PAID.

WARRANTY DISCLAIMER. A DILIGENT EFFORT HAS BEEN MADE TO PROVIDE PRODUCT INFORMATION AND ILLUSTRATE THE PRODUCTS IN THIS LITERATURE ACCURATELY; HOWEVER, SUCH INFORMATION AND ILLUSTRATIONS ARE FOR THE SOLE PURPOSE OF IDENTIFICATION, AND DO NOT EXPRESS OR IMPLY A WARRANTY THAT THE PRODUCTS ARE MERCHANTABLE, OR FIT FOR A PARTICULAR PURPOSE, OR THAT THE PRODUCTS WILL NECESSARILY CONFORM TO THE ILLUSTRATIONS OR DESCRIPTIONS. EXCEPT AS PROVIDED BELOW, NO WARRANTY OR AFFIRMATION OF FACT, EXPRESSED OR IMPLIED, OTHER THAN AS STATED IN THE "LIMITED WARRANTY" ABOVE IS MADE OR AUTHORIZED BY DAYTON.

Technical Advice and Recommendations, Disclaimer. Notwithstanding any past practice or dealings or trade custom, sales shall not include the furnishing of technical advice or assistance or system design. Dayton assumes no obligations or liability on account of any unauthorized recommendations, opinions or advice as to the choice, installation or use of products.

Product Suitability. Many jurisdictions have codes and regulations governing sales, construction, installation, and/or use of products for certain purposes, which may vary from those in neighboring areas. While attempts are made to assure that Dayton products comply with such codes, Dayton cannot guarantee compliance, and cannot be responsible for how the product is installed or used. Before purchase and use of a product, review the product applications, and all applicable national and local codes and regulations, and be sure that the product, installation, and use will comply with them.

Certain aspects of disclaimers are not applicable to consumer products; e.g. (a) some jurisdictions do not allow the exclusion or limitation of incidental or consequential damages, so the above limitation or exclusion may not apply to you; (b) also, some jurisdictions do not allow a limitation on how long an implied warranty lasts, consequently the above limitation may not apply to you; and (c) by law, during the period of this Limited Warranty, any implied warranties of implied merchantability or fitness for a particular purpose applicable to consumer products purchased by consumers, may not be excluded or otherwise disclaimed.

Prompt Disposition. A good faith effort will be made for prompt correction or other adjustment with respect to any product which proves to be defective within limited warranty. For any product believed to be defective within limited warranty, first write or call dealer from whom the product was purchased. Dealer will give additional directions. If unable to resolve satisfactorily, write to Dayton at address below, giving dealer's name, address, date, and number of dealer's invoice, and describing the nature of the defect. Title and risk of loss pass to buyer on delivery to common carrier. If product was damaged in transit to you, file claim with carrier.

Manufactured for Dayton Electric Mfg. Co., 5959 W. Howard St., Niles, Illinois 60714 U.S.A.