

For Repair Parts, call 1-800-323-0620

24 hours a day – 365 days a year

Please provide following information:

- Model number
- Serial number (if any)
- Part description and number as shown in parts list

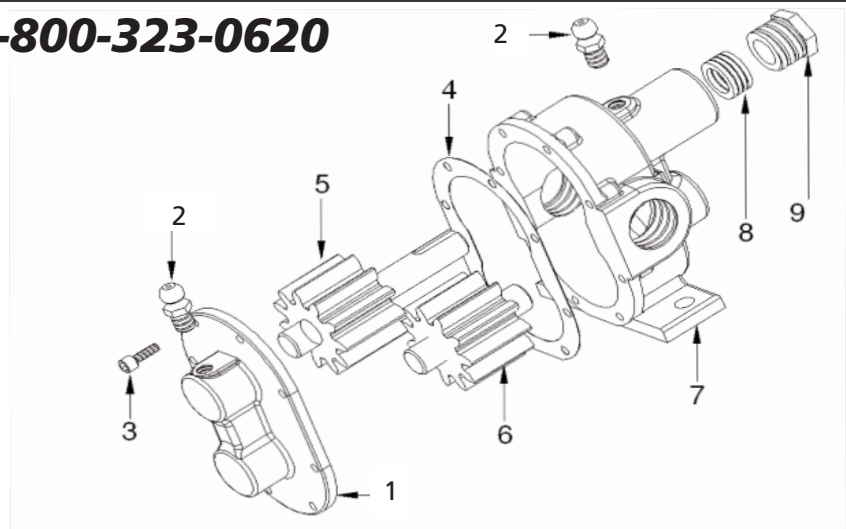


Figure 13A – Repair Parts Illustration for Bronze Models with Grease Zerk Fittings

Ref No.	Description	4KHG4 Part No	4KHG5 Part No	4KHG6 Part No	4KHG7 Part No	4KHG8 Part No	4KHG9 Part No	Qty
1	Cover	*	*	*	*	*	*	N/A
2	Grease Fitting	PPR4ZN001G	PPR4ZN001G	PPR4ZN001G	PPR4ZN001G	PPR4ZN001G	PPR4ZN001G	2
3	Screw	+	+	+	+	+	+	N/A
4	Gasket	PPO9ZN000G	PPO9ZN001G	PPO9ZN002G	PPO9ZN002G	PPO9ZN003G	PPO9ZN003G	1
5	Drive Gear	PPM316701G	PPM316801G	PPM316901G	PPM317001G	PPM317101G	PPM317201G	1
6	Driven Gear	PPM3ZN006G	PPM3ZN007G	PPM3ZN008G	PPM3ZN009G	PPM3ZN009G	PPM3ZN010G	1
7	Body	*	*	*	*	*	*	N/A
8a	PTFE packing	PPO7ZN000G	PPO7ZN000G					3
8b	PTFE packing			PPO7ZN001G	PPO7ZN001G	PPO7ZN001G	PPO7ZN001G	4
9	Packing nut	PPM5ZN000G	PPM5ZN000G	PPM5ZN001G	PPM5ZN001G	PPM5ZN001G	PPM5ZN001G	1

(*) Part not available.

(+) Check for part availability at Grainger or local hardware store.

Screw bolt length (in.) 1/2. Threads per inch: 10-24 fully threaded. Material: Stainless Steel. Fastener Type: 3/16" Hex Cap+Head.

Figure 13B – Repair Parts Illustration for Cast Iron Models with Grease Zerk Fittings

Ref No.	Description	4KHK1 Part No	4KHK2 Part No	4KHK3 Part No	4KHK4 Part No	4KHK5 Part No	4KHK6 Part No	Qty
1	Cover	*	*	*	*	*	*	N/A
2	Grease Fitting	PPR4ZN001G	PPR4ZN001G	PPR4ZN001G	PPR4ZN001G	PPR4ZN001G	PPR4ZN001G	2
3	Screw	+	+	+	+	+	+	N/A
4	Gasket	PPO9ZN000G	PPO9ZN001G	PPO9ZN002G	PPO9ZN002G	PPO9ZN003G	PPO9ZN003G	8
5	Drive Gear	PPM919100G	PPM919200G	PPM929300G	PPM939400G	PPM949500G	PPM959600G	1
6	Driven Gear	PPM91N000G	PPM91N001G	PPM92N001G	PPM93N001G	PPM94N001G	PPM95N001G	1
7	Body	*	*	*	*	*	*	N/A
8a	PTFE packing	PPO7ZN000G	PPO7ZN000G					3
8b	PTFE packing			PPO7ZN001G	PPO7ZN001G	PPO7ZN001G	PPO7ZN001G	4
9	Packing nut	PPM5ZN000G	PPM5ZN000G	PPM5ZN001G	PPM5ZN001G	PPM5ZN001G	PPM5ZN001G	1

(*) Part not available.

(+) Check for part availability at Grainger or local hardware store.

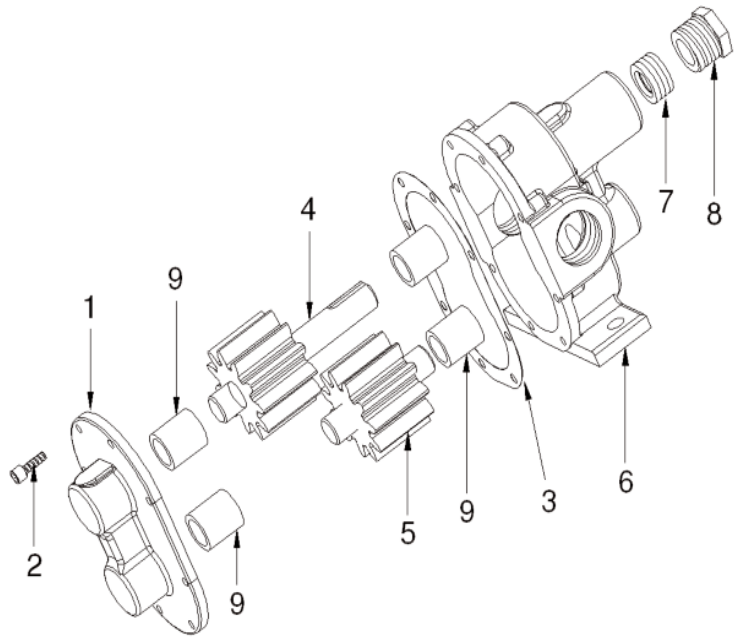
Screw bolt length (in.) 1/2. Threads per inch: 10-24 fully threaded. Material: Stainless Steel. Fastener Type: 3/16" Hex Cap+Head.

For Repair Parts, call 1-800-323-0620

24 hours a day – 365 days a year

Please provide following information:

- Model number
- Serial number (if any)
- Part description and number as shown in parts list



E
N
G
L
I
S
H

Figure 14 – Repair Parts Illustration for Bronze Models with Carbon-Graphite Bushing

Ref No.	Description	4KHH1 Part No	4KHH2 Part No	4KHH3 Part No	4KHH4 Part No	4KHH5 Part No	4KHH6 Part No	Qty
1	Cover	*	*	*	*	*	*	N/A
2	Screw	+	+	+	+	+	+	N/A
3	Gasket	PPO9ZN000G	PPO9ZN001G	PPO9ZN002G	PPO9ZN002G	PPO9ZN003G	PPO9ZN003G	1
4	Drive Gear	PPM3ZN000G	PPM3ZN001G	PPM3ZN002G	PPM3ZN003G	PPM3ZN004G	PPM3ZN005G	1
5	Driven Gear	PPM3ZN006G	PPM3ZN007G	PPM3ZN008G	PPM3ZN009G	PPM3ZN009G	PPM3ZN010G	1
6	Body	*	*	*	*	*	*	N/A
7a	PTFE packing	PPO7ZN000G	PPO7ZN000G					3
7b	PTFE packing			PPO7ZN001G	PPO7ZN001G	PPO7ZN001G	PPO7ZN001G	4
8	Packing nut	PPM5ZN000G	PPM5ZN000G	PPM5ZN001G	PPM5ZN001G	PPM5ZN001G	PPM5ZN001G	1
9	Bushing	PPO9ZN013G	PPO9ZN014G	PPO9ZN015G	PPO9ZN016G	PPO9ZN017G	PPO9ZN017G	4

(*) Part not available.

(+) Check for part availability at Grainger or local hardware store.

Screw bolt length (in.) 1/2. Threads per inch: 10-24 fully threaded. Material: Stainless Steel. Fastener Type: 3/16" Hex Cap+Head.

For Repair Parts, call 1-800-323-0620

24 hours a day – 365 days a year

Please provide following information:

- Model number
- Serial number (if any)
- Part description and number as shown in parts list

E
N
G
L
I
S
H

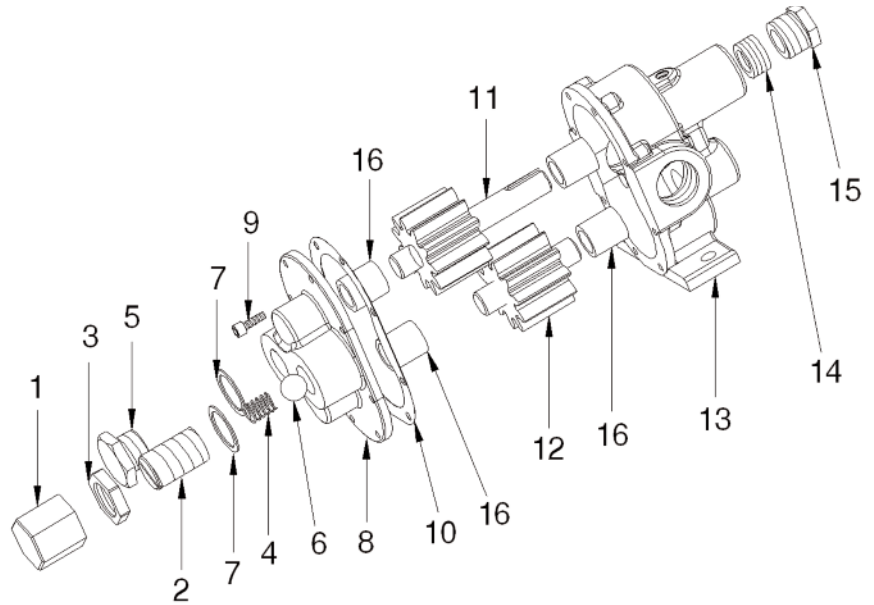


Figure 15– Repair Parts Illustration for Bronze Models with Carbon-Graphite Bushings and Relief Valve

Ref No.	Description	4KHH7 Part No	4KHH8 Part No	4KHH9 Part No	4KHJ1 Part No	4KHJ2 Part No	4KHJ3 Part No	Qty
1	Valve cap	PPM51N001G	PPM51N001G	PPM5ZN008G	PPM5ZN008G	PPM5ZN009G	PPM5ZN009G	1
2	Valve stem	PPM51N002G	PPM51N002G	PPM5ZN010G	PPM5ZN010G	PPM5ZN011G	PPM5ZN011G	1
3	Valve locknut	PPM51N003G	PPM51N003G	PPM5ZN012G	PPM5ZN012G	PPM5ZN013G	PPM5ZN013G	1
4	Valve spring	PPO31N001G	PPO31N001G	PPO3ZN003G	PPO3ZN003G	PPO3ZN004G	PPO3ZN004G	1
5	Hex. Plug	PPM51N004G	PPM51N004G	PPM5ZN014G	PPM5ZN014G	PPM5ZN015G	PPM5ZN015G	1
6	Ball	PPR31N001G	PPR31N001G	PPR3ZN012G	PPR3ZN012G	PPR3ZN013G	PPR3ZN013G	1
7	Valve gasket	PPM9ZN000G	PPM9ZN000G	PPM9ZN000G	PPM9ZN000G	PPM9ZN002G	PPM9ZN002G	1
8	Cover	*	*	*	*	*	*	N/A
9	Screw	+	+	+	+	+	+	N/A
10	Gasket	PPO9ZN000G	PPO9ZN001G	PPO9ZN002G	PPO9ZN002G	PPO9ZN003G	PPO9ZN003G	1
11	Drive Gear	PPM3ZN000G	PPM3ZN001G	PPM3ZN002G	PPM3ZN003G	PPM3ZN004G	PPM3ZN005G	1
12	Driven Gear	PPM3ZN006G	PPM3ZN007G	PPM3ZN008G	PPM3ZN009G	PPM3ZN009G	PPM3ZN010G	1
13	Body	*	*	*	*	*	*	N/A
14a	PTFE packing	PPO7ZN000G	PPO7ZN000G					3
14b	PTFE packing			PPO7ZN001G	PPO7ZN001G	PPO7ZN001G	PPO7ZN001G	4
15	Packing nut	PPM5ZN000G	PPM5ZN000G	PPM5ZN001G	PPM5ZN001G	PPM5ZN001G	PPM5ZN001G	1
16	Bushing	PPO9ZN018G	PPO9ZN014G	PPO9ZN020G	PPO9ZN021G	PPO9ZN022G	PPO9ZN023G	4

(*) Part not available.

(+) Check for part availability at Grainger or local hardware store.

Screw bolt length (in.) 1/2. Threads per inch: 10-24 fully threaded. Material: Stainless Steel. Fastener Type: 3/16" Hex Cap+Head.

For Repair Parts, call 1-800-323-0620

24 hours a day – 365 days a year

Please provide following information:

- Model number
- Serial number (if any)
- Part description and number as shown in parts list

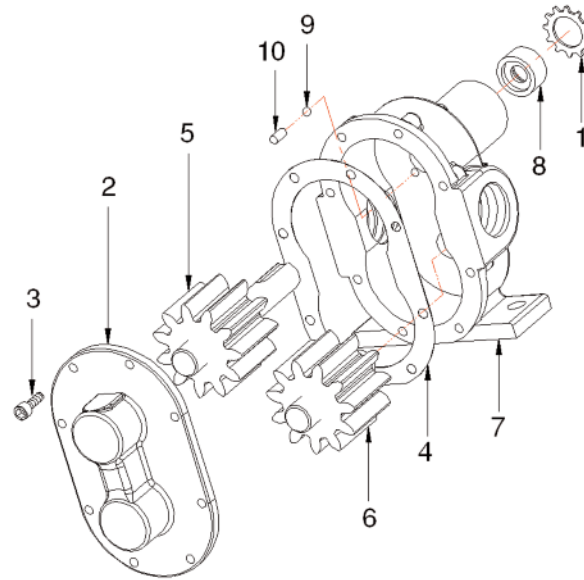


Figure 16 – Repair Parts Illustration for Cast Iron Models with Viton Lip Seal

Ref No.	Description	4KHJ4 Part No	4KHJ5 Part No	4KHJ6 Part No	4KHJ7 Part No	4KHJ8 Part No	4KHJ9 Part No	Qty
1	Retaining ring	PPO618500G	PPO618500G	PPO6ZN001G	PPO6ZN001G	PPO6ZN001G	PPO6ZN001G	1
2	Cover	*	*	*	*	*	*	N/A
3	Screw	+	+	+	+	+	+	N/A
4	Gasket	PPO9ZN000G	PPO9ZN001G	PPO9ZN002G	PPO9ZN002G	PPO9ZN003G	PPO9ZN003G	1
5	Drive Gear	PPM918500G	PPM918600G	PPM928700G	PPM938800G	PPM948900G	PPM959000G	1
6	Driven Gear	PPM91N000G	PPM91N001G	PPM92N001G	PPM93N001G	PPM94N001G	PPM95N001G	1
7	Body	*	*	*	*	*	*	N/A
8	Lip seal, Viton	PPR8ZN000G	PPR8ZN000G	PPR8ZN001G	PPR8ZN001G	PPR8ZN001G	PPR8ZN001G	1
9	Ball	PPR4ZN002G	PPR4ZN002G	PPR4ZN002G	PPR4ZN002G	PPR4ZN002G	PPR4ZN002G	2
10	Retainer pin	PPR4ZN003G	PPR4ZN003G	PPR4ZN003G	PPR4ZN003G	PPR4ZN003G	PPR4ZN003G	2

(*) Part not available.

(+) Check for part availability at Grainger or local hardware store.

Screw bolt length (in.) 1/2. Threads per inch: 10-24 fully threaded. Material: Stainless Steel. Fastener Type: 3/16" Hex Cap Head.

E
N
G
L
I
S
H

**Para Obtener Partes de Reparación en México Llame al 001-800-527-2331
 en EE.UU. Llame al 1-800-323-0620**

Servicio permanente – 24 horas al día al año

Por favor proporciónenos la siguiente información:

- Número de modelo
- Número de serie (si lo tiene)
- Descripción de la parte y número que le corresponde en la lista de partes

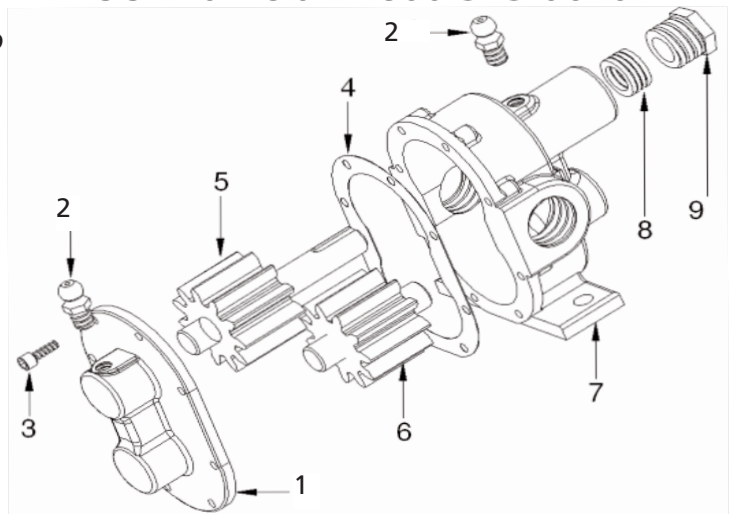


Figura 13A - Ilustración de reparación de piezas para modelos de bronce con Grease Zerk Fittings

Ref No.	Descripción	4KHG4 Part No	4KHG5 Part No	4KHG6 Part No	4KHG7 Part No	4KHG8 Part No	4KHG9 Part No	Qty
1	Cubrir	*	*	*	*	*	*	N/A
2	Grease Fitting	PPR4ZN001G	PPR4ZN001G	PPR4ZN001G	PPR4ZN001G	PPR4ZN001G	PPR4ZN001G	2
3	Tornillo	+	+	+	+	+	+	N/A
4	Junta	PPO9ZN000G	PPO9ZN001G	PPO9ZN002G	PPO9ZN002G	PPO9ZN003G	PPO9ZN003G	1
5	Engranaje	PPM316701G	PPM316801G	PPM316901G	PPM317001G	PPM317101G	PPM317201G	1
6	Engranaje	PPM3ZN006G			PPM3ZN009G	PPM3ZN009G	PPM3ZN010G	1
7	Cuerpo	*			*	*	*	N/A
8a	PTFE embalaje	PPO7ZN000G						3
8b	PTFE embalaje				PPO7ZN001G	PPO7ZN001G	PPO7ZN001G	4
9	Embalaje tuerca	PPM5ZN000G	PPM5ZN000G	PPM5ZN001G	PPM5ZN001G	PPM5ZN001G	PPM5ZN001G	1

(*) Parte disponible.

(+) Comprobar disponibilidad parcial en Grainger o ferretería local.

Longitud de perno de rosca (pulgadas) 1 / 2. Hilos por pulgada: 10-24 plenamente rosca. Material: Acero inoxidable. Fastener Tipo: 3/16" Hex Cap Head.

Figura 13B - Reparación de piezas Ilustración para los modelos de hierro fundido con Grease Zerk Fittings

Ref No.	Descripción	4KHK1 Part No	4KHK2 Part No	4KHK3 Part No	4KHK4 Part No	4KHK5 Part No	4KHK6 Part No	Qty
1	Cubrir	*	*	*	*	*	*	N/A
2	Grease Fitting	PPR4ZN001G	PPR4ZN001G	PPR4ZN001G	PPR4ZN001G	PPR4ZN001G	PPR4ZN001G	2
3	Tornillo	+	+	+	+	+	+	N/A
4	Junta	PPO9ZN000G	PPO9ZN001G	PPO9ZN002G	PPO9ZN002G	PPO9ZN003G	PPO9ZN003G	8
5	Engranaje	PPM919100G	PPM919200G	PPM929300G	PPM939400G	PPM949500G	PPM959600G	1
6	Engranaje	PPM91N000G	PPM91N001G	PPM92N001G	PPM93N001G	PPM94N001G	PPM95N001G	1
7	Cuerpo	*	*	*	*	*	*	N/A
8a	PTFE embalaje	PPO7ZN000G	PPO7ZN000G					3
8b	PTFE embalaje			PPO7ZN001G	PPO7ZN001G	PPO7ZN001G	PPO7ZN001G	4
9	Embalaje tuerca	PPM5ZN000G	PPM5ZN000G	PPM5ZN001G	PPM5ZN001G	PPM5ZN001G	PPM5ZN001G	1

(*) Parte disponible.

(+) Comprobar disponibilidad parcial en Grainger o ferretería local.

Longitud de perno de rosca (pulgadas) 1 / 2. Hilos por pulgada: 10-24 plenamente rosca. Material: Acero inoxidable. Fastener Tipo: 3/16 " Hex Cap Head.

E S P A Ñ O L

Para Obtener Partes de Reparación en México Llame al 001-800-527-2331 en EE.UU. Llame al 1-800-323-0620

Servicio permanente – 24 horas al día al año

Por favor proporcionenos la siguiente información:

- Número de modelo
- Número de serie (si lo tiene)
- Descripción de la parte y número que le corresponde en la lista de partes

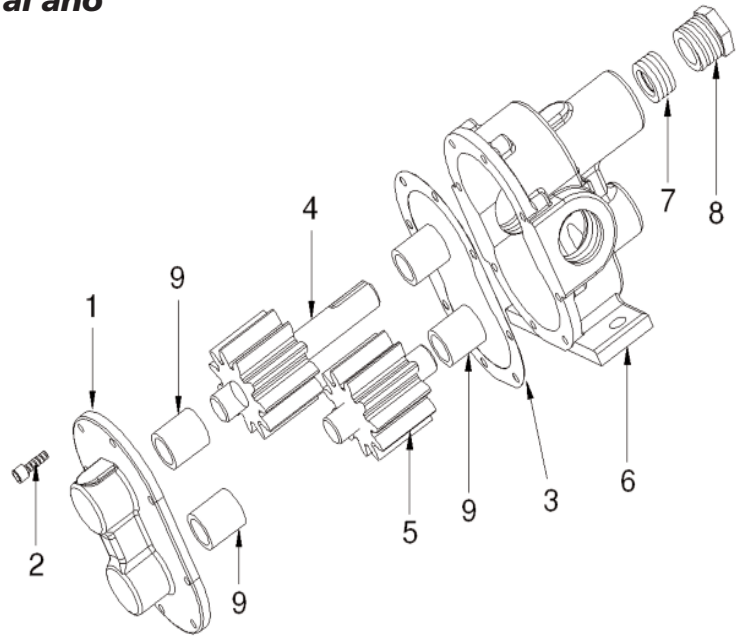


Figura 14 - Ilustración de reparación de piezas para modelos de bronce con carbono-grafito Buje

Ref No.	Descripción	4KHH1 Part No	4KHH2 Part No	4KHH3 Part No	4KHH4 Part No	4KHH5 Part No	4KHH6 Part No	Qty
1	Cubrir	*	*	*	*	*	*	N/A
2	Tornillo	+	+	+	+	+	+	N/A
3	Junta	PPO9ZN000G	PPO9ZN001G	PPO9ZN002G	PPO9ZN002G	PPO9ZN003G	PPO9ZN003G	1
4	Engranaje	PPM3ZN000G	PPM3ZN001G	PPM3ZN002G	PPM3ZN003G	PPM3ZN004G	PPM3ZN005G	1
5	Engranaje	PPM3ZN006G	PPM3ZN007G	PPM3ZN008G	PPM3ZN009G	PPM3ZN009G	PPM3ZN010G	1
6	Cuerpo	*	*	*	*	*	*	N/A
7a	PTFE embalaje	PPO7ZN000G	PPO7ZN000G					3
7b	PTFE embalaje			PPO7ZN001G	PPO7ZN001G	PPO7ZN001G	PPO7ZN001G	4
8	Embalaje tuerca	PPM5ZN000G	PPM5ZN000G	PPM5ZN001G	PPM5ZN001G	PPM5ZN001G	PPM5ZN001G	1
9	Buje	PPO9ZN013G	PPO9ZN014G	PPO9ZN015G	PPO9ZN016G	PPO9ZN017G	PPO9ZN017G	4

(*) Parte disponible.

(+) Comprobar disponibilidad parcial en Grainger o ferretería local.

Longitud de perno de rosca (pulgadas) 1 / 2. Hilos por pulgada: 10-24 plenamente rosca. Material: Acero inoxidable. Fastener Tipo: 3/16 " Hex Cap Head.

Para Obtener Partes de Reparación en México Llame al 001-800-527-2331 en EE.UU. Llame al 1-800-323-0620

Servicio permanente – 24 horas al día al año

Por favor proporciónenos la siguiente información:

- Número de modelo
- Número de serie (si lo tiene)
- Descripción de la parte y número que le corresponde en la lista de partes

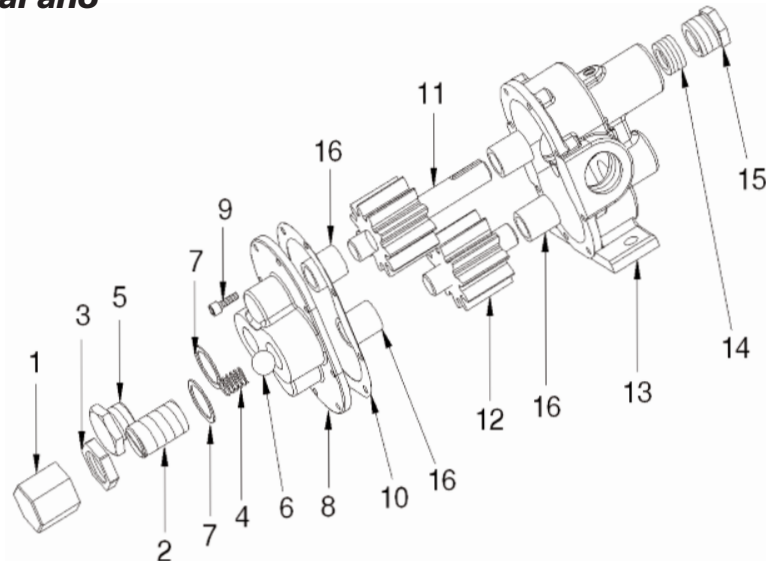


Figura 15 - Ilustración de reparación de piezas para modelos de bronce con bujes de carbono-grafito y la válvula de alivio

Ref No.	Descripción	4KHH7 Part No	4KHH8 Part No	4KHH9 Part No	4KHJ1 Part No	4KHJ2 Part No	4KHJ3 Part No	Qty
1	Tapa de la válvula	PPM51N001G	PPM51N001G	PPM5ZN008G	PPM5ZN008G	PPM5ZN009G	PPM5ZN009G	1
2	Vástago de válvula	PPM51N002G	PPM51N002G	PPM5ZN010G	PPM5ZN010G	PPM5ZN011G	PPM5ZN011G	1
3	Válvula de tuerca	PPM51N003G	PPM51N003G	PPM5ZN012G	PPM5ZN012G	PPM5ZN013G	PPM5ZN013G	1
4	Muelle de válvula	PPO31N001G	PPO31N001G	PPO3ZN003G	PPO3ZN003G	PPO3ZN004G	PPO3ZN004G	1
5	Hex. Plug	PPM51N004G	PPM51N004G	PPM5ZN014G	PPM5ZN014G	PPM5ZN015G	PPM5ZN015G	1
6	Ball	PPR31N001G	PPR31N001G	PPR3ZN012G	PPR3ZN012G	PPR3ZN013G	PPR3ZN013G	1
7	Junta de válvula	PPM9ZN000G	PPM9ZN000G	PPM9ZN000G	PPM9ZN000G	PPM9ZN002G	PPM9ZN002G	1
8	Cubrir	*	*	*	*	*	*	N/A
9	Tornillo	+	+	+	+	+	+	N/A
10	Junta	PPO9ZN000G	PPO9ZN001G	PPO9ZN002G	PPO9ZN002G	PPO9ZN003G	PPO9ZN003G	1
11	Engranaje	PPM3ZN000G	PPM3ZN001G	PPM3ZN002G	PPM3ZN003G	PPM3ZN004G	PPM3ZN005G	1
12	Engranaje	PPM3ZN006G	PPM3ZN007G	PPM3ZN008G	PPM3ZN009G	PPM3ZN009G	PPM3ZN010G	1
13	Cuerpo	*	*	*	*	*	*	N/A
14a	PTFE embalaje	PPO7ZN000G	PPO7ZN000G					3
14b	PTFE embalaje			PPO7ZN001G	PPO7ZN001G	PPO7ZN001G	PPO7ZN001G	4
15	Embalaje tuerca	PPM5ZN000G	PPM5ZN000G	PPM5ZN001G	PPM5ZN001G	PPM5ZN001G	PPM5ZN001G	1
16	Buje	PPO9ZN018G	PPO9ZN014G	PPO9ZN020G	PPO9ZN021G	PPO9ZN022G	PPO9ZN023G	4

(*) Parte disponible.

(+) Comprobar disponibilidad parcial en Grainger o ferretería local.

Longitud de perno de rosca (pulgadas) 1 / 2. Hilos por pulgada: 10-24 plenamente rosca. Material: Acero inoxidable. Fastener Tipo: 3/16 " Hex Cap Head.

**Para Obtener Partes de Reparación en México Llame al 001-800-527-2331
 en EE.UU. Llame al 1-800-323-0620**

Servicio permanente – 24 horas al día al año

Por favor proporcionémos la siguiente información:

- Número de modelo
- Número de serie (si lo tiene)
- Descripción de la parte y número que le corresponde en la lista de partes

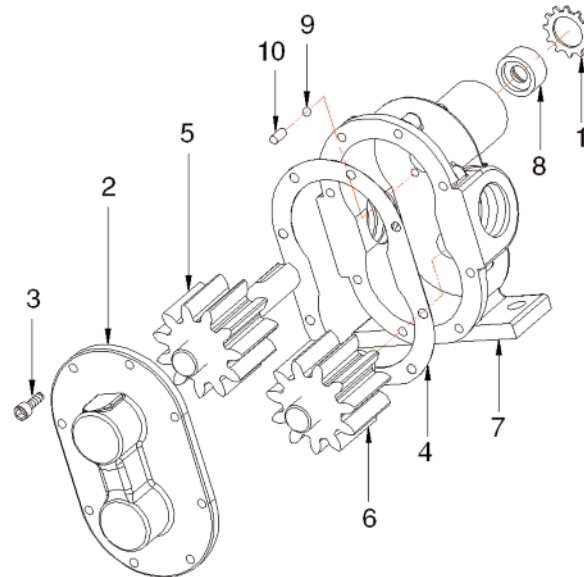


Figura 16 - Ilustración para la reparación de piezas de hierro fundido Modelos con Viton Lip Seal

Ref No.	Descripción	4KHJ4 Part No	4KHJ5 Part No	4KHJ6 Part No	4KHJ7 Part No	4KHJ8 Part No	4KHJ9 Part No	Qty
1	Anillo de retención	PPO618500G	PPO618500G	PPO6ZN001G	PPO6ZN001G	PPO6ZN001G	PPO6ZN001G	1
2	Cubrir	*	*	*	*	*	*	N/A
3	Tornillo	+	+	+	+	+	+	N/A
4	Junta	PPO9ZN000G	PPO9ZN001G	PPO9ZN002G	PPO9ZN002G	PPO9ZN003G	PPO9ZN003G	1
5	Engranaje	PPM918500G	PPM918600G	PPM928700G	PPM938800G	PPM948900G	PPM959000G	1
6	Engranaje	PPM91N000G	PPM91N001G	PPM92N001G	PPM93N001G	PPM94N001G	PPM95N001G	1
7	Cuerpo	*	*	*	*	*	*	N/A
8	Lip seal, Viton	PPR8ZN000G	PPR8ZN000G	PPR8ZN001G	PPR8ZN001G	PPR8ZN001G	PPR8ZN001G	1
9	Ball	PPR4ZN002G	PPR4ZN002G	PPR4ZN002G	PPR4ZN002G	PPR4ZN002G	PPR4ZN002G	2
10	Pasador de retención	PPR4ZN003G	PPR4ZN003G	PPR4ZN003G	PPR4ZN003G	PPR4ZN003G	PPR4ZN003G	2

(*) Parte disponible.

(+) Comprobar disponibilidad parcial en Grainger o ferretería local.

Longitud de perno de rosca (pulgadas) 1 / 2. Hilos por pulgada: 10-24 plenamente rosca. Material: Acero inoxidable. Fastener Tipo: 3/16 " Hex Cap Head.

E
S
P
A
Ñ
O
L



Commandez les pièces détachées en appelant gratuitement 1 800 323-0620

24 heures par jour – 365 jours par an

S'il vous plaît fournir l'information suivante :

- Numéro de modèle
- Numéro de série (s'il y en a un)
- Description de la pièce et son numéro comme montré sur la liste de pièces

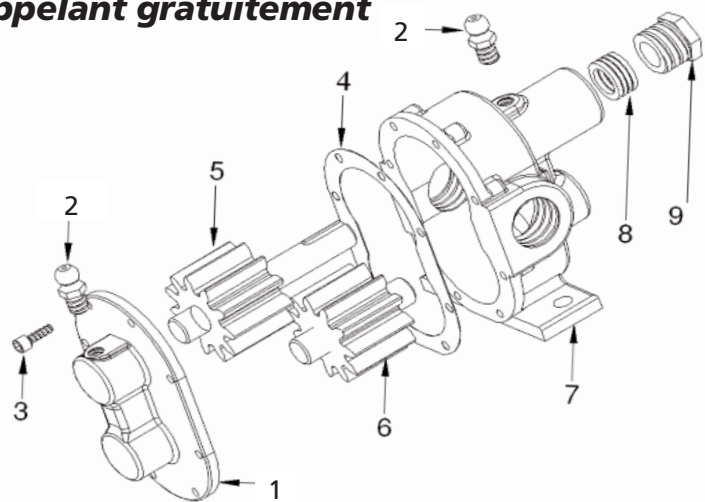


Figure 13A - Les Pièces détachées Illustration pour modèles en bronze avec de la graisse Zerk Fittings

Ref No.	Description	4KHG4 Part No	4KHG5 Part No	4KHG6 Part No	4KHG7 Part No	4KHG8 Part No	4KHG9 Part No	Qty
1	Couvrir	*	*	*	*	*	*	N/A
2	Grease Fitting	PPR4ZN001G	PPR4ZN001G	PPR4ZN001G	PPR4ZN001G	PPR4ZN001G	PPR4ZN001G	2
3	Visser	+	+	+	+	+	+	N/A
4	Gasket	PPO9ZN000G	PPO9ZN001G	PPO9ZN002G	PPO9ZN002G	PPO9ZN003G	PPO9ZN003G	1
5	Drive Gear	PPM316701G	PPM316801G	PPM316901G	PPM317001G	PPM317101G	PPM317201G	1
6	Driven Gear	PPM3ZN006G	PPM3ZN007G	PPM3ZN008G	PPM3ZN009G	PPM3ZN009G	PPM3ZN010G	1
7	Corps	*	*	*	*	*	*	N/A
8a	PTFE d'emballage	PPO7ZN000G	PPO7ZN000G					3
8b	PTFE d'emballage			PPO7ZN001G	PPO7ZN001G	PPO7ZN001G	PPO7ZN001G	4
9	Emballage de noix	PPM5ZN000G	PPM5ZN000G	PPM5ZN001G	PPM5ZN001G	PPM5ZN001G	PPM5ZN001G	1

(*) Une partie ne sont pas disponibles.

(+) Contrôler la disponibilité d'une partie à Grainger ou à la quincaillerie locale.

Longueur de la vis boulon (po) 1 / 2. Fils par pouce: 10-24 entièrement fileté. Matière: acier inoxydable. Type d'attaches: 3 / 16 " Hex Cap Head.

Figure 13B - Les Pièces détachées Illustration pour les modèles en fonte avec la graisse Zerk Fittings

Ref No.	Description	4KHK1 Part No	4KHK2 Part No	4KHK3 Part No	4KHK4 Part No	4KHK5 Part No	4KHK6 Part No	Qty
1	Couvrir	*	*	*	*	*	*	N/A
2	Grease Fitting	PPR4ZN001G	PPR4ZN001G	PPR4ZN001G	PPR4ZN001G	PPR4ZN001G	PPR4ZN001G	2
3	Visser	+	+	+	+	+	+	N/A
4	Gasket	PPO9ZN000G	PPO9ZN001G	PPO9ZN002G	PPO9ZN002G	PPO9ZN003G	PPO9ZN003G	8
5	Drive Gear	PPM919100G	PPM919200G	PPM929300G	PPM939400G	PPM949500G	PPM959600G	1
6	Driven Gear	PPM91N000G	PPM91N001G	PPM92N001G	PPM93N001G	PPM94N001G	PPM95N001G	1
7	Corps	*	*	*	*	*	*	N/A
8a	PTFE d'emballage	PPO7ZN000G	PPO7ZN000G					3
8b	PTFE d'emballage			PPO7ZN001G	PPO7ZN001G	PPO7ZN001G	PPO7ZN001G	4
9	Emballage de noix	PPM5ZN000G	PPM5ZN000G	PPM5ZN001G	PPM5ZN001G	PPM5ZN001G	PPM5ZN001G	1

(*) Une partie ne sont pas disponibles.

(+) Contrôler la disponibilité d'une partie à Grainger ou à la quincaillerie locale.

Longueur de la vis boulon (po) 1 / 2. Fils par pouce: 10-24 entièrement fileté. Matière: acier inoxydable. Type d'attaches: 3 / 16 " Hex Cap Head.

**Commandez les pièces détachées en appelant gratuitement
1 800 323-0620**

24 heures par jour – 365 jours par an

S'il vous plaît fournir l'information suivante :

- Numéro de modèle
- Numéro de série (s'il y en a un)
- Description de la pièce et son numéro comme montré sur la liste de pièces

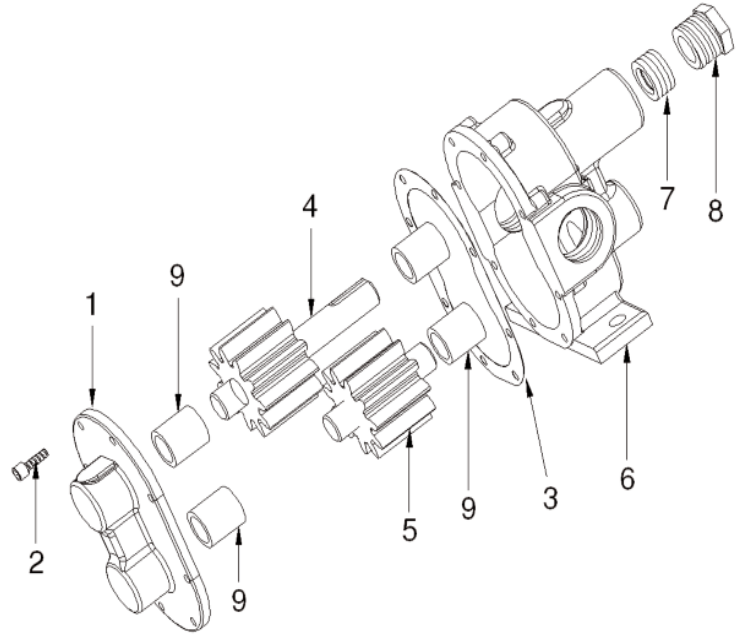


Figure 14 - Les Pièces détachées Illustration pour modèles en bronze avec Carbon-Graphite Bushing

Ref No.	Description	4KHH1 Part No	4KHH2 Part No	4KHH3 Part No	4KHH4 Part No	4KHH5 Part No	4KHH6 Part No	Qty
1	Couvrir	*	*	*	*	*	*	N/A
2	Visser	+	+	+	+	+	+	N/A
3	Gasket	PPO9ZN000G	PPO9ZN001G	PPO9ZN002G	PPO9ZN002G	PPO9ZN003G	PPO9ZN003G	1
4	Drive Gear	PPM3ZN000G	PPM3ZN001G	PPM3ZN002G	PPM3ZN003G	PPM3ZN004G	PPM3ZN005G	1
5	Driven Gear	PPM3ZN006G	PPM3ZN007G	PPM3ZN008G	PPM3ZN009G	PPM3ZN009G	PPM3ZN010G	1
6	Corps	*	*	*	*	*	*	N/A
7a	PTFE d'emballage	PPO7ZN000G	PPO7ZN000G					3
7b	PTFE d'emballage			PPO7ZN001G	PPO7ZN001G	PPO7ZN001G	PPO7ZN001G	4
8	Emballage de noix	PPM5ZN000G	PPM5ZN000G	PPM5ZN001G	PPM5ZN001G	PPM5ZN001G	PPM5ZN001G	1
9	Bushing	PPO9ZN013G	PPO9ZN014G	PPO9ZN015G	PPO9ZN016G	PPO9ZN017G	PPO9ZN017G	4

(*) Une partie ne sont pas disponibles.

(+) Contrôler la disponibilité d'une partie à Grainger ou à la quincaillerie locale.

Longueur de la vis boulon (po) 1 / 2. Fils par pouce: 10-24 entièrement fileté. Matière: acier inoxydable. Type d'attaches: 3 / 16 " Hex Cap Head.

FRANÇAIS

Commandez les pièces détachées en appelant gratuitement

1 800 323-0620

24 heures par jour – 365 jours par an

S'il vous plaît fournir l'information suivante :

- Numéro de modèle
- Numéro de série (s'il y en a un)
- Description de la pièce et son numéro comme montré sur la liste de pièces

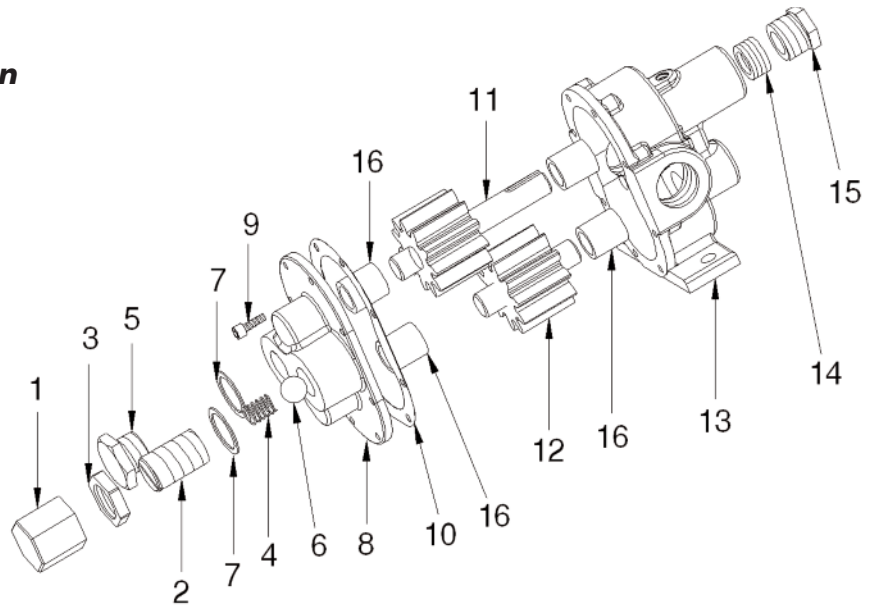


Figure 15 - Les Pièces détachées Illustration pour modèles en bronze avec Carbon-Graphite Douilles et Relief Valve

Ref No.	Description	4KHH7 Part No	4KHH8 Part No	4KHH9 Part No	4KHJ1 Part No	4KHJ2 Part No	4KHJ3 Part No	Qty
1	Valve cap	PPM51N001G	PPM51N001G	PPM5ZN008G	PPM5ZN008G	PPM5ZN009G	PPM5ZN009G	1
2	Tige de valve	PPM51N002G	PPM51N002G	PPM5ZN010G	PPM5ZN010G	PPM5ZN011G	PPM5ZN011G	1
3	Valve contre-écrou	PPM51N003G	PPM51N003G	PPM5ZN012G	PPM5ZN012G	PPM5ZN013G	PPM5ZN013G	1
4	Ressorts de soupapes	PPO31N001G	PPO31N001G	PPO3ZN003G	PPO3ZN003G	PPO3ZN004G	PPO3ZN004G	1
5	Hex. Plug	PPM51N004G	PPM51N004G	PPM5ZN014G	PPM5ZN014G	PPM5ZN015G	PPM5ZN015G	1
6	Ball	PPR31N001G	PPR31N001G	PPR3ZN012G	PPR3ZN012G	PPR3ZN013G	PPR3ZN013G	1
7	Valve gasket	PPM9ZN000G	PPM9ZN000G	PPM9ZN000G	PPM9ZN000G	PPM9ZN002G	PPM9ZN002G	1
8	Couvrir	*	*	*	*	*	*	N/A
9	Visser	+	+	+	+	+	+	N/A
10	Gasket	PPO9ZN000G	PPO9ZN001G	PPO9ZN002G	PPO9ZN002G	PPO9ZN003G	PPO9ZN003G	1
11	Drive Gear	PPM3ZN000G	PPM3ZN001G	PPM3ZN002G	PPM3ZN003G	PPM3ZN004G	PPM3ZN005G	1
12	Driven Gear	PPM3ZN006G	PPM3ZN007G	PPM3ZN008G	PPM3ZN009G	PPM3ZN009G	PPM3ZN010G	1
13	Corps	*	*	*	*	*	*	N/A
14a	PTFE d'emballage	PPO7ZN000G	PPO7ZN000G					3
14b	PTFE d'emballage			PPO7ZN001G	PPO7ZN001G	PPO7ZN001G	PPO7ZN001G	4
15	Emballage de noix	PPM5ZN000G	PPM5ZN000G	PPM5ZN001G	PPM5ZN001G	PPM5ZN001G	PPM5ZN001G	1
16	Bushing	PPO9ZN018G	PPO9ZN014G	PPO9ZN020G	PPO9ZN021G	PPO9ZN022G	PPO9ZN023G	4

(*) Une partie ne sont pas disponibles.

(+) Contrôler la disponibilité d'une partie à Grainger ou à la quincaillerie locale.

Longueur de la vis boulon (po) 1 / 2. Fils par pouce: 10-24 entièrement fileté. Matière: acier inoxydable.

Type d'attaches: 3 / 16 "Hex Cap Head.

**Commandez les pièces détachées en appelant gratuitement
 1 800 323-0620**

24 heures par jour – 365 jours par an

S'il vous plaît fournir l'information suivante :

- Numéro de modèle
- Numéro de série (s'il y en a un)
- Description de la pièce et son numéro comme montré sur la liste de pièces

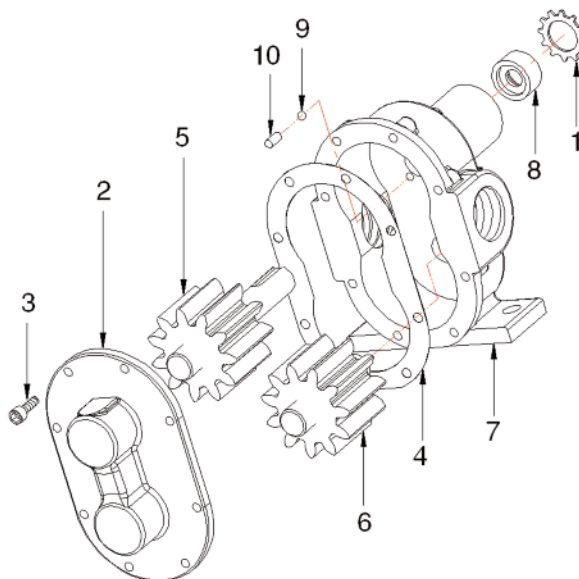


Figure 16 - Les Pièces détachées Illustration pour les modèles en fonte avec joint à lèvres Viton

Ref No.	Description	4KHJ4 Part No	4KHJ5 Part No	4KHJ6 Part No	4KHJ7 Part No	4KHJ8 Part No	4KHJ9 Part No	Qty
1	Circlip	PPO618500G	PPO618500G	PPO6ZN001G	PPO6ZN001G	PPO6ZN001G	PPO6ZN001G	1
2	Couvrir	*	*	*	*	*	*	N/A
3	Visser	+	+	+	+	+	+	N/A
4	Gasket	PPO9ZN000G	PPO9ZN001G	PPO9ZN002G	PPO9ZN002G	PPO9ZN003G	PPO9ZN003G	1
5	Drive Gear	PPM918500G	PPM918600G	PPM928700G	PPM938800G	PPM948900G	PPM959000G	1
6	Driven Gear	PPM91N000G	PPM91N001G	PPM92N001G	PPM93N001G	PPM94N001G	PPM95N001G	1
7	Corps	*	*	*	*	*	*	N/A
8	Lip seal, Viton	PPR8ZN000G	PPR8ZN000G	PPR8ZN001G	PPR8ZN001G	PPR8ZN001G	PPR8ZN001G	1
9	Ball	PPR4ZN002G	PPR4ZN002G	PPR4ZN002G	PPR4ZN002G	PPR4ZN002G	PPR4ZN002G	2
10	Retainer broches	PPR4ZN003G	PPR4ZN003G	PPR4ZN003G	PPR4ZN003G	PPR4ZN003G	PPR4ZN003G	2

(*) Une partie ne sont pas disponibles.

(+) Contrôler la disponibilité d'une partie à Grainger ou à la quincaillerie locale.

Longueur de la vis boulon (po) 1 / 2. Fils par pouce: 10-24 entièrement filetée. Matière: acier inoxydable. Type d'attaches: 3 / 16 " Hex Cap Head.

FRANÇAIS