

®
Dayton



Power Roof Ventilator Hinge Kits

Models 4HX79H, 20CK47 thru 20CK56

®
Dayton

**PLEASE READ AND SAVE
THESE INSTRUCTIONS.**

**READ CAREFULLY
BEFORE ATTEMPTING
TO ASSEMBLE, INSTALL,
OPERATE OR MAINTAIN THE
PRODUCT DESCRIBED.**

**PROTECT YOURSELF AND
OTHERS BY OBSERVING ALL
SAFETY INFORMATION. FAILURE
TO COMPLY WITH INSTRUCTIONS
COULD RESULT IN PERSONAL
INJURY AND/OR PROPERTY
DAMAGE! RETAIN INSTRUCTIONS
FOR FUTURE REFERENCE.**

**PLEASE REFER TO BACK COVER
FOR INFORMATION REGARDING
DAYTON'S WARRANTY AND OTHER
IMPORTANT INFORMATION.**

Model #: _____

Serial #: _____

Purch. Date: _____

*Form 5S5212 / Printed in USA
04632 Version 1 05/2014*

**© 2004-2014 Dayton Electric Manufacturing Co.
All Rights Reserved**

BEFORE YOU BEGIN



Tools Needed:

- Light Mallet
- 7/16" Wrench
- 3/4" Wrench
- Ruler
- Marker
- Drill and 5/16" Bit

UNPACKING



Contents of 4HX79H:

- Hardware Kit (1)
- Retaining Cable (2)
- L-Bracket (4)
- Operating Instructions Manual (1)

Contents of 20CK47 thru 20CK56:

- Hardware Kit (1)
- Retaining Cable (2)
- Reinforcement Angle (2)
- Hinge, Upper Left (1)
- Hinge, Upper Right (1)
- Hinge, Lower Left (1)
- Hinge, Lower Right (1)
- Operating Instructions Manual (1)



Inspect:

- After unpacking unit, inspect carefully for any damage that may have occurred during transit. Check for loose, missing, or damaged parts. Shipping damage claim must be filed with carrier.
- See **General Safety Instructions** on page 2, and **Cautions and Warnings** as shown.

GENERAL SAFETY INSTRUCTIONS

⚠ WARNING *Disconnect power and observe proper lock out tag out procedures per OSHA regulation (Title 29 code of federal regulations part 1910.147 and 1910.333).*

NOTE: If fan is connected to electrical source via rigid connection, a qualified electrician will need to change the rigid connection to a flexible connection long enough per local electrical codes to allow for fan movement.

SPECIFICATIONS

| For Use With | Downblast and Upblast Ventilators | Downblast Ventilators | | | | | | Upblast Ventilators | | | |
|----------------------|--------------------------------------|--------------------------|--------|--------|--------|--------|--------|------------------------|--------|--------|--------|
| | 4HX79H | 20CK47 | 20CK48 | 20CK49 | 20CK50 | 20CK51 | 20CK52 | 20CK53 | 20CK54 | 20CK55 | 20CK56 |
| Square Base (inches) | 19 to 30 | 34 | 40 | 42 | 46 | 52 | 64 | 34 | 40 | 42 | 46 |

INSTALLATION INSTRUCTIONS

⚠ CAUTION *Roof curb should be properly attached to the roof to support the fan and curb when hinged. Attachment to the roof curb should be adequate to support the unit when hinged.*

Installing 4HX79H:

1. Check ventilator base for factory holes that match the dimensions in Figure 1. If holes match, skip to Step 2. If not, drill 5/16 inch holes in ventilator base using dimensions in Figure 1.
NOTE: Be aware of drain-spout location in relation to ventilator base support plate.
2. Refer to Figure 2, attach (1) upper L-bracket to ventilator base with (2) 1/4-20 x 3/4 inch weldbolts and 1/4-20 spinlock nuts per bracket. Leave finger tight until all pieces are installed. Repeat for remaining side.
3. Set and center ventilator base on roof curb. Ensure there is equal space between curb and ventilator base on all sides.
4. Refer to Figure 2, insert 5/16-18 x 1-1/2 inch bolt through attached upper L-bracket. Place (1) lower L-bracket on the bolt. Press lower bracket up against the curb to estimate the number of spacers. Use 5/16 flat washers to take up the gap between the L-brackets. Install 5/16-18 nut until finger tight. Repeat for remaining side.

NOTE: The number of washers will vary depending on the size of the gap.

5. Pivot the lower hinge until parallel with the upper hinge and hold against the curb. Mark the (2) holes per side for drilling.

6. Allow the lower brackets to swing out of the way, drill 5/16 inch holes in curb at the locations marked in Step 5.
7. Return lower bracket parallel with the upper brackets and install (2) 1/4 inch -20 x 3/4 inch weldbolts and 1/4 inch - 20 nuts. Leave finger tight.
NOTE: If curb is of construction other than sheet metal, use appropriate connectors.
8. Center ventilator base on roof curb and tighten all bolts.
9. Check ventilator base for factory-punched hole at or near dimensions indicated by Figure 3. If this hole exists, it can be used as the upper connection point for the stop cable. If not, drill a 5/16 inch hole in the ventilator base at the dimensions indicated in Figure 3.
10. Drill 5/16 inch hole in the roof curb at the dimensions indicated in Figure 4.
11. After installing the hinge kit to the fan and roof curb, attach the stop cable to both sides of the ventilator base as shown in Figure 5.
12. Attach the loose end of the stop cable to roof curb and ventilator base with 1/4-20 x 3/4 inch weldbolt and 1/4-20 nut per side, see Figure 5.

IMPORTANT: Install 1-1/4 inch fender washer between nut and cable.

IMPORTANT: Using appropriate fasteners, secure side opposite of the hinges to the roof curb to keep unit from opening up in high wind events.

NOTE: No repair parts available for model 4HX79H.

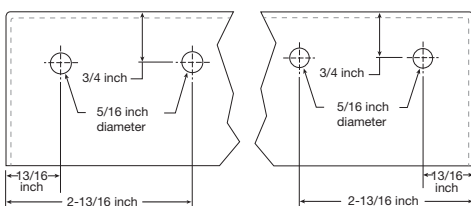


Figure 1

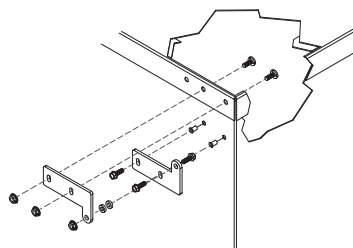


Figure 2

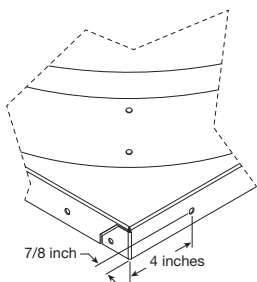


Figure 3

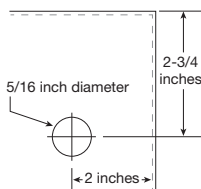


Figure 4

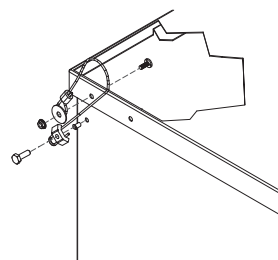


Figure 5

Installing 20CK47 thru 20CK56:

1. Remove the (4) bolts located on Dayton® ventilator as shown in Figure 1. These bolts will be used to connect the reinforcing assemblies in Step 2.

NOTE: If ventilator is currently installed on a roof curb, remove screws holding the fan base to the curb.
2. Place reinforcing angles on the ventilator base. Loosely reinstall the (4) bolts removed in Step 1. If ventilator base has factory holes that line up with hinge holes, go to Step 3. If base does not have matching holes from the factory, mark the remaining hole locations for drilling. Drill 5/16 inch hole in the ventilator base at these locations.
3. Attach both upper hinges to reinforcing angles and ventilator base with 5/16-18 x 1 inch weldbolt screws and 5/16 inch spinlock nuts. Refer to Figure 2.
4. Refer to Figure 2, install the stop cable to the upper hinge under the nut furthest from the pivot point. Secure the cable with the 1-1/4 inch fender washer and replace the nut. Allow the lower end to hang loose until Step 8.
5. Set and center ventilator base on roof curb. Ensure there is equal space between curb and ventilator base on all sides.
6. Attach lower hinges to upper hinges with 1/2-13 x 2 inch bolt, 1/2 inch flat washer and 1/2 inch nylock nut. Insert hinge spacers to lower hinges with 1/4-20 x 1-1/4 inch bolt and 1/4 inch nut to eliminate the gap between upper and lower hinges. Refer to Figure 1 and Figure 3.

NOTE: The number of hinge spacers will vary depending on the size of the gap.
7. Pivot the lower hinge until parallel with the upper hinge and hold against the curb. Mark the (2) holes per side for drilling.
8. Allow the lower brackets to swing out of the way, drill 5/16 inch holes in curb at the locations marked in Step 7.
9. Return lower hinges parallel with the upper hinges and install (2) 5/16-18 x 1 inch weldbolts and 5/16 inch spinlock nuts. Leave finger tight. If necessary, disconnect hinge bolt and remove unit from curb to install lower hinge.

NOTE: If curb is of construction other than sheet metal, use appropriate connector.
10. Attach the loose ends of the stop cable to the roof curb using 5/16-18 x 1 inch weldbolts, 1-1/4 inch fender washers and 5/16 inch spinlock nuts. Refer to Figure 4 for hole location.

IMPORTANT: Using appropriate fasteners, secure side opposite of the hinges to the roof curb to keep unit from opening up in high wind events.

NOTE: No repair parts available for models 20CK47 thru 20CK56.

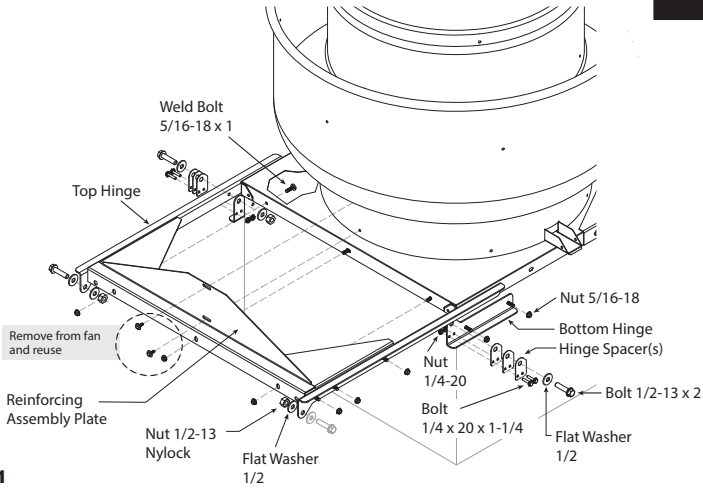


Figure 1

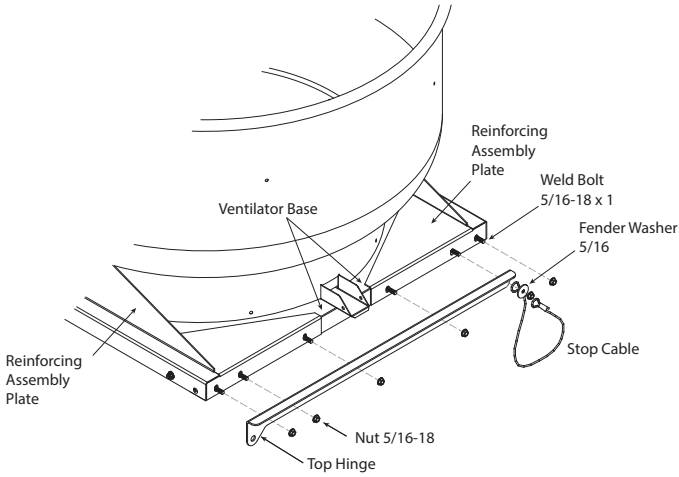


Figure 2

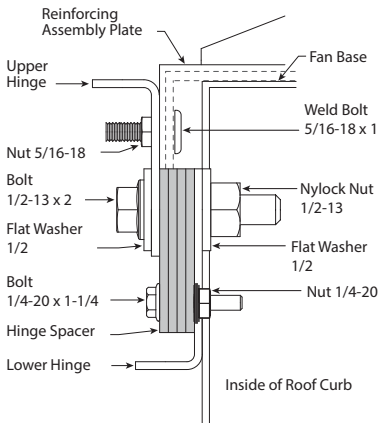


Figure 3

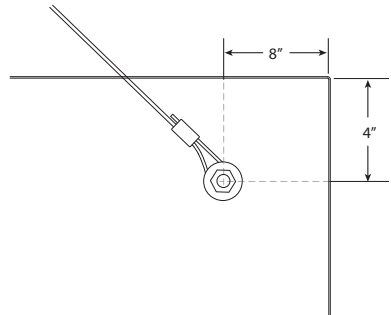


Figure 4

DAYTON ONE-YEAR LIMITED WARRANTY

DAYTON ONE-YEAR LIMITED WARRANTY. All Dayton® product models covered in this manual are warranted by Dayton Electric Mfg. Co. ("Dayton") to the original user against defects in workmanship or materials under normal use for one year after date of purchase. If the Dayton product is part of a set, only the portion that is defective is subject to this warranty. Any product or part which is determined to be defective in material or workmanship and returned to an authorized service location, as Dayton or Dayton's designee designates, shipping costs prepaid, will be, as the exclusive remedy, repaired or replaced with a new or reconditioned product or part of equal utility or a full refund given, at Dayton's or Dayton's designee's option, at no charge. For limited warranty claim procedures, see "Warranty Service" below. This warranty is void if there is evidence of misuse, mis-repair, mis-installation, abuse or alteration. This warranty does not cover normal wear and tear of Dayton products or portions of them, or products or portions of them which are consumable in normal use. This limited warranty gives purchasers specific legal rights, and you may also have other rights which vary from jurisdiction to jurisdiction.

WARRANTY DISCLAIMERS AND LIMITATIONS OF LIABILITY RELATING TO ALL CUSTOMERS FOR ALL PRODUCTS

LIMITATION OF LIABILITY. TO THE EXTENT ALLOWABLE UNDER APPLICABLE LAW, DAYTON'S LIABILITY FOR CONSEQUENTIAL AND INCIDENTAL DAMAGES IS EXPRESSLY DISCLAIMED. DAYTON'S LIABILITY IN ALL EVENTS IS LIMITED TO AND SHALL NOT EXCEED THE PURCHASE PRICE PAID.

WARRANTY DISCLAIMER. A DILIGENT EFFORT HAS BEEN MADE TO PROVIDE PRODUCT INFORMATION AND ILLUSTRATE THE PRODUCTS IN THIS LITERATURE ACCURATELY; HOWEVER, SUCH INFORMATION AND ILLUSTRATIONS ARE FOR THE SOLE PURPOSE OF IDENTIFICATION, AND DO NOT EXPRESS OR IMPLY A WARRANTY THAT THE PRODUCTS ARE MERCHANTABLE, OR FIT FOR A PARTICULAR PURPOSE, OR THAT THE PRODUCTS WILL NECESSARILY CONFORM TO THE ILLUSTRATIONS OR DESCRIPTIONS. EXCEPT AS PROVIDED BELOW, NO WARRANTY OR AFFIRMATION OF FACT, EXPRESSED OR IMPLIED, OTHER THAN AS STATED IN THE "LIMITED WARRANTY" ABOVE IS MADE OR AUTHORIZED BY DAYTON.

PRODUCT SUITABILITY. MANY JURISDICTIONS HAVE CODES AND REGULATIONS GOVERNING SALES, CONSTRUCTION, INSTALLATION, AND/OR USE OF PRODUCTS FOR CERTAIN PURPOSES, WHICH MAY VARY FROM THOSE IN NEIGHBORING AREAS. WHILE ATTEMPTS ARE MADE TO ASSURE THAT DAYTON PRODUCTS COMPLY WITH SUCH CODES, DAYTON CANNOT GUARANTEE COMPLIANCE, AND CANNOT BE RESPONSIBLE FOR HOW THE PRODUCT IS INSTALLED OR USED. BEFORE PURCHASE AND USE OF A PRODUCT, REVIEW THE SAFETY/SPECIFICATIONS, AND ALL APPLICABLE NATIONAL AND LOCAL CODES AND REGULATIONS, AND BE SURE THAT THE PRODUCT, INSTALLATION, AND USE WILL COMPLY WITH THEM.

CONSUMERS ONLY. CERTAIN ASPECTS OF DISCLAIMERS ARE NOT APPLICABLE TO CONSUMER PRODUCTS SOLD TO CONSUMERS; (A) SOME JURISDICTIONS DO NOT ALLOW THE EXCLUSION OR LIMITATION OF INCIDENTAL OR CONSEQUENTIAL DAMAGES, SO THE ABOVE LIMITATION OR EXCLUSION MAY NOT APPLY TO YOU; (B) ALSO, SOME JURISDICTIONS DO NOT ALLOW A LIMITATION ON HOW LONG AN IMPLIED WARRANTY LASTS, SO THE ABOVE LIMITATION MAY NOT APPLY TO YOU; AND (C) BY LAW, DURING THE PERIOD OF THIS LIMITED WARRANTY, ANY IMPLIED WARRANTIES OF MERCHANTABILITY OR FITNESS FOR A PARTICULAR PURPOSE APPLICABLE TO CONSUMER PRODUCTS PURCHASED BY CONSUMERS, MAY NOT BE EXCLUDED OR OTHERWISE DISCLAIMED.

THIS LIMITED WARRANTY ONLY APPLIES TO UNITED STATES PURCHASERS FOR DELIVERY IN THE UNITED STATES.

WARRANTY SERVICE

To obtain warranty service if you purchased the covered product directly from W.W. Grainger, Inc. ("Grainger"), (i) write or call or visit the local Grainger branch from which the product was purchased or another Grainger branch near you (see www.grainger.com for a listing of Grainger branches); or (ii) contact Grainger by going to www.grainger.com and clicking on the "Contact Us" link at the top of the page, then clicking on the "Email us" link; or (iii) call Customer Care (toll free) at 1-888-361-8649. To obtain warranty service if you purchased the covered product from another distributor or retailer, (i) go to www.grainger.com for Warranty Service; (ii) write or call or visit a Grainger branch near you; or (iii) call Customer Care (toll free) at 1-888-361-8649. In any case, you will need to provide, to the extent available, the purchase date, the original invoice number, the stock number, a description of the defect, and anything else specified in this Dayton One-Year Limited Warranty. You may be required to send the product in for inspection at your cost. You can follow up on the progress of inspections and corrections in the same ways. Title and risk of loss pass to buyer on delivery to common carrier, so if product was damaged in transit to you, file claim with carrier, not retailer, Grainger or Dayton. For warranty information for purchasers and/or delivery outside the United States, please use the following applicable contact information:

**Dayton Electric Mfg. Co.,
100 Grainger Parkway, Lake Forest, IL 60045 U.S.A.
or call +1-888-361-8649**