

Please read and save these instructions. Read carefully before attempting to assemble, install, operate or maintain the product described. Protect yourself and others by observing all safety information. Failure to comply with instructions could result in personal injury and/or property damage! Retain instructions for future reference.

Dayton® Stair & Curb Climber for Aluminum Hand Trucks

FITS MODELS: 6W046B, 6W047B, 6W048B and 6W049B

Description

Dayton stair and curb climber accessory kit provides the ability to negotiate stairs and curbs with more ease. This kit is ideal for delivery drivers of all types.

Specifications

Model	Width	Length
6W052B	No pertinent specs since it mounts to the frame.	

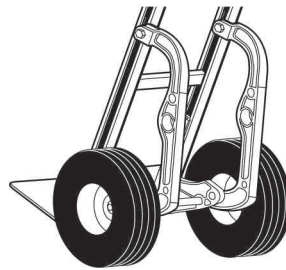
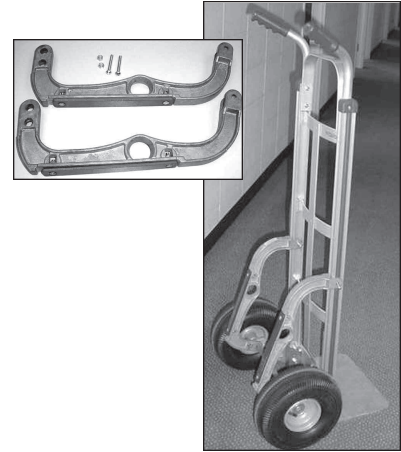


Figure 1



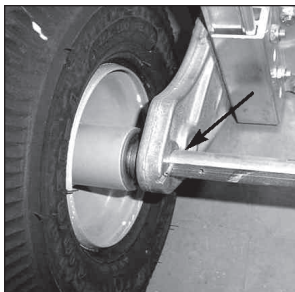
E
N
G
L
I
S
H

Assembly

1. Remove one wheel from the axle. Remove cotter pin and washers.



2. Remove roll pins from both sides of the axle support bracket.



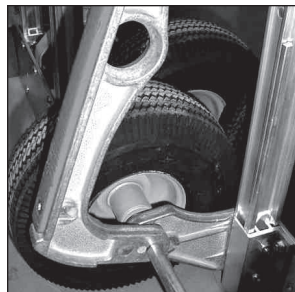
3. Slide the axle out of the axle support bracket partially, and install the stair climbers on the axle.

Note: The lower holes on the stair climbers are for 10" pneumatic wheels, and upper holes are for 8" solid wheels.

4. Re-insert the axle back into the axle support bracket, and re-install the wheel, using the washers and cotter pins. (Replace cotter pin if it is damaged or broken.)

5. Replace the roll pins originally removed from behind the axle support brackets into the holes behind the stair climbers.

6. Pierce red plastic inserts on the frame thru the screw holes pre-drilled on the frame. Install stair climber top pivot, using screw and lock nut provided in the kit.



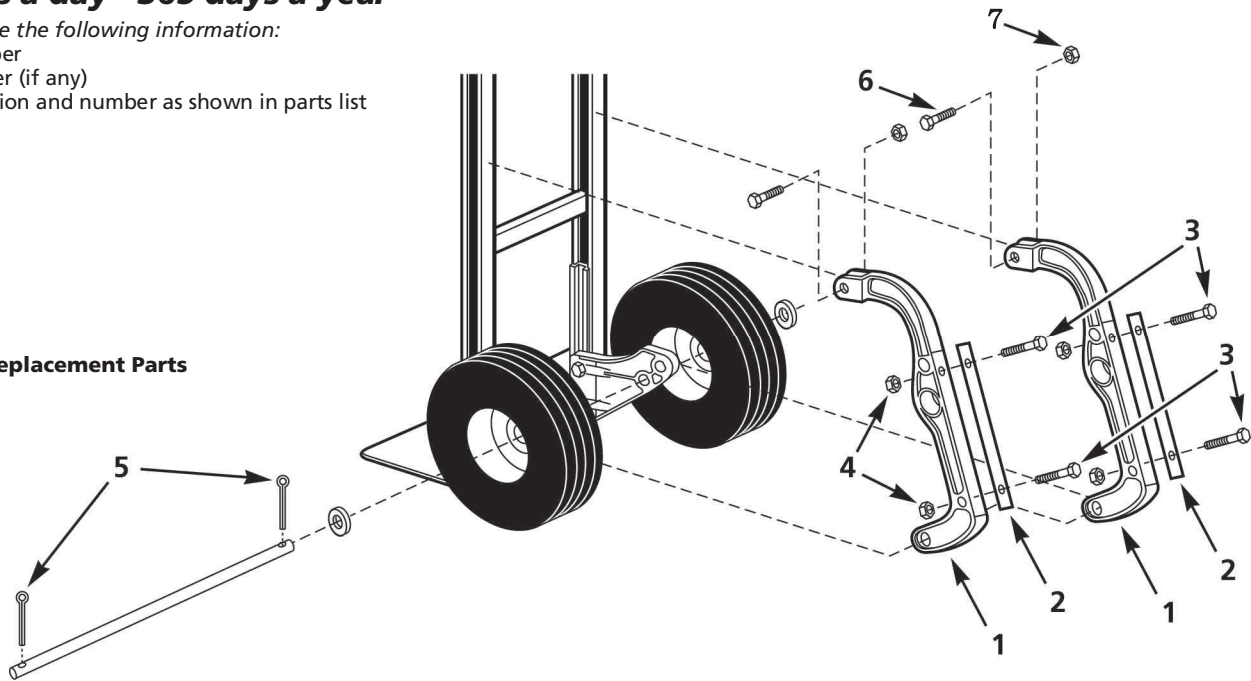
For Repair Parts, call 1-800-Grainger

24 hours a day - 365 days a year

Please provide the following information:

- Model number
- Serial number (if any)
- Part description and number as shown in parts list

Figure 2 – Replacement Parts



Replacement Parts List

Ref. No.	Description	Part No.	QTY
1	Cast aluminum stairclimber	SC-052	2
2	9 1/2" Rub strip	RS-052	2
3	1/4 - 20 x 1" Flat head bolt	FHB-052	4
4	1/4 - 20 Hex lock nut	HLN-052	4
5	1 1/4 x 5/32" Cotter pin	CP-052	2
6	M8 x 2" Hex Head Screws	RHB-052	2
7	M8 Nylon Nut	MH6W05201G	2

LIMITED WARRANTY

DAYTON ONE-YEAR LIMITED WARRANTY. Dayton® noseplate extension assembly, Models covered in this manual, are warranted by Dayton Electric Mfg. Co. (Dayton) to the original user against defects in workmanship or materials under normal use for one year after date of purchase. Any part which is determined to be defective in material or workmanship and returned to an authorized service location, as Dayton designates, shipping costs prepaid, will be, as the exclusive remedy, repaired or replaced at Dayton's option. For limited warranty claim procedures, see PROMPT DISPOSITION below. This limited warranty gives purchasers specific legal rights which vary from jurisdiction to jurisdiction.

LIMITATION OF LIABILITY. To the extent allowable under applicable law, Dayton's liability for consequential and incidental damages is expressly disclaimed. Dayton's liability in all events is limited to and shall not exceed the purchase price paid.

WARRANTY DISCLAIMER. Dayton has made a diligent effort to provide product information and illustrate the products in this literature accurately; however, such information and illustrations are for the sole purpose of identification, and do not express or imply a warranty that the products are MERCHANTABLE, or FIT FOR A PARTICULAR PURPOSE, or that the products will necessarily conform to the illustrations or descriptions. Except as provided below, no warranty or affirmation of fact, expressed or implied, other than as stated in the "LIMITED WARRANTY" above is made or authorized by Dayton.

PRODUCT SUITABILITY. Many jurisdictions have codes and regulations governing sales, construction, installation, and/or use of products for certain purposes, which may vary from those in neighboring areas. While Dayton attempts to assure that its products comply with such codes, it cannot guarantee compliance, and cannot be responsible for how the product is installed or used. Before purchase and use of a product, review the product applications, and all applicable national and local codes and regulations, and be sure that the product, installation, and use will comply with them.

Certain aspects of disclaimers are not applicable to consumer products; e.g., (a) some jurisdictions do not allow the exclusion or limitation of incidental or consequential damages, so the above limitation or exclusion may not apply to you; (b) also, some jurisdictions do not allow a limitation on how long an implied warranty lasts, consequently the above limitation may not apply to you; and (c) by law, during the period of this Limited Warranty, any implied warranties of implied merchantability or fitness for a particular purpose applicable to consumer products purchased by consumers, may not be excluded or otherwise disclaimed.

PROMPT DISPOSITION. Dayton will make a good faith effort for prompt correction or other adjustment with respect to any product which proves to be defective within limited warranty. For any product believed to be defective within limited warranty, first write or call dealer from whom the product was purchased. Dealer will give additional directions. If unable to resolve satisfactorily, write to Dayton at address below, giving dealer's name, address, date, and number of dealer's invoice, and describing the nature of the defect. Title and risk of loss pass to buyer on delivery to common carrier. If product was damaged in transit to you, file claim with carrier.

Manufactured for Dayton Electric Mfg. Co., 100 Grainger Parkway, Lake Forest, IL. 60045 U.S.A.

Manufactured for Dayton Electric Mfg. Co.
Lake Forest, IL. 60045 U.S.A.

Dayton®