

**Please read and save these instructions.** Read carefully before attempting to assemble, install, operate or maintain the product described. Protect yourself and others by observing all safety information. Failure to comply with instructions could result in personal injury and/or property damage! Retain instructions for future reference.

# Dayton® Foldable Oscillating Pedestal Air Circulator

## Description

Dayton Foldable Oscillating Pedestal Air Circulators are fully-assembled circulators. There are 8 simple steps to unfold these circulators. These circulators are used to provide a high volume of air circulation for both spot and general cooling applications in a clean, dry environment. Two-piece black powder coated wire guards comply with United States OSHA Standard 1910.212, 1/2" opening requirement. All of these air circulators have automatic reset thermal protection. Circulator heads feature locking tilt adjustment. Motors are permanently lubricated. Oscillating Fan Head pivots 90° side to side or locks in place.

## Performance

Model	Propeller Dia. (In)	Motor RPM	HP	Volts	Hz	CFM High	CFM Low	Air Velocity @20 FT (FPM)	Operating Amps	Full Load Amps
OSCILLATING										
22YK15	24"	1100/950	1/4	120	60	9200	7680	450/210	2.85/2.15	2.8
22YK17	30"	1100/950	1/4	120	60	8625	7440	510/240	2.8/2.0	2.8

## Unpacking

1. Inspect carefully for any signs of damage that may have occurred during transit.
2. Shipping damage claim must be filed with carrier.

## General Safety Information

1. Ensure that the power source conforms to the electrical requirements of the air circulator.
2. Where a two-prong wall receptacle is encountered, it must be replaced with a properly grounded three-prong receptacle installed in accordance with the United States National Electrical Code (NEC) and all applicable local codes and ordinances. This work must be done by a qualified electrician, using copper wire only.

**▲ WARNING** Use of a three-prong to two-prong adapter is not recommended. Improper connection may create the risk of electrocution. Use of such adapters is prohibited in Canada.

**▲ WARNING** Prior to cleaning make certain that unit is unplugged and disconnected from power source.

3. Where possible, avoid the use of extension cords. If they must be used, minimize the risk of overheating by ensuring that they are UL Listed and of the proper gauge and length. Never use a single extension cord to operate more than one air circulator.
4. Do not kink the cord or allow it to contact oil, grease, chemicals, hot surfaces, or sharp or abrasive objects.
5. This air circulator is to be operated ONLY with its OSHA complying guard in place to prevent persons and objects from contacting the revolving propeller. Any other use voids warranty and may create unsafe conditions.

**▲ WARNING** Do not insert fingers or foreign objects into the air circulator. Do not block or tamper with the air circulator in any manner while it is in operation.

**▲ WARNING** Do not touch motor. May be hot enough to cause injury.

**▲ WARNING** To reduce risk of fire or electric shock, do not use this fan with any Solid State Control devices.

**▲ WARNING** To avoid the damage of oscillating fan motor, this fan can only be used after fully unfolding.



Figure 1

6. Air circulator is intended for general air circulation ONLY. It must NOT be used in potentially dangerous locations such as flammable, explosive, chemical-laden, or wet atmospheres. Do not use air circulator in or near a window, since rain may create an electrical hazard. Do not attach ductwork to the air circulator.
7. Air circulator motor is equipped with an automatic resetting thermal protector that will disconnect power if the motor overheats. Always unplug air circulator before removing guard or otherwise accessing the motor, as it may restart unexpectedly.
8. In cases in which property damage may result from malfunction of the air circulator, a suitable alarm (air switch, temperature sensor, etc.) should be used.
9. Do not operate any fan with a damaged cord or plug. Discard fan or return to an authorized service facility for examination and/or repair.
10. Do not run cord under carpeting. Do not cover cord with throw rugs, runners, or similar coverings. Do not route cord under furniture or appliances. Arrange cord away from traffic area and where it will not be tripped over.

# Dayton® Foldable Oscillating Pedestal Air Circulator

## Unfolding Instructions

See Figures 2 to 9.

1. Unpack the fan unit from the shipping carton. Cut the strap holding the Front Footing Support during shipment. See Figure 2.
2. Reposition the front footing support on a flat, level surface. See Figure 2 and 3.
3. Secure the front footing support using the right and left side locking device shown below. Push until the locking device fully engages. See Figure 4.
4. Reposition the rear footing support. See Figure 5.
5. Secure the Rear Footing Support using the right locking device (Same as Step 3).
6. Lift up the fan head till you hear a clip/snap sound and stop. (Figure 7)
7. Lock in position by tightening the plum knob. (Figure 8)
8. Adjust the tilt angle by tightening the triangle knob in the upper pole. (Figure 9)

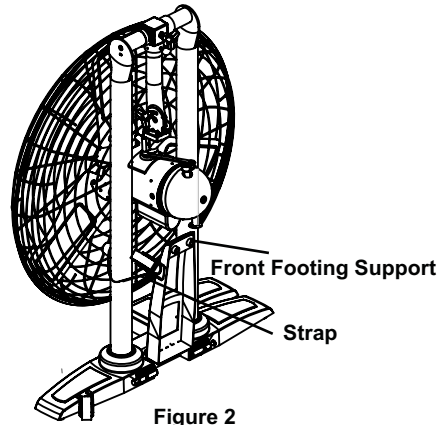


Figure 2

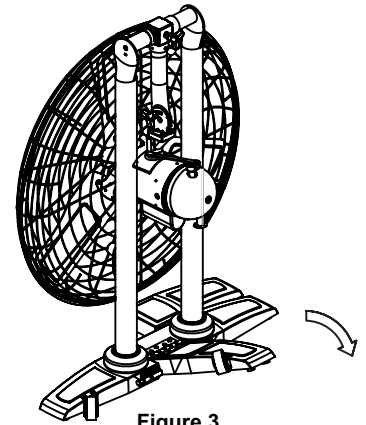


Figure 3

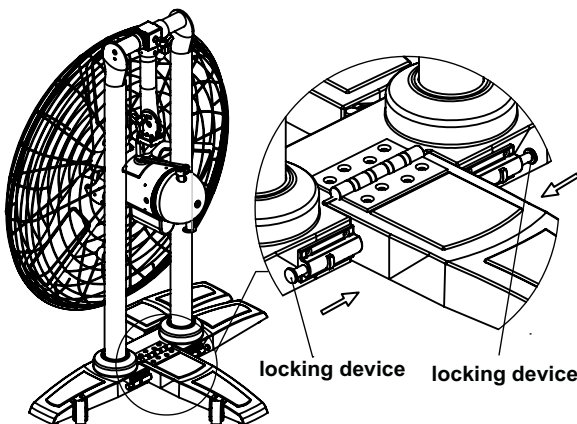


Figure 4

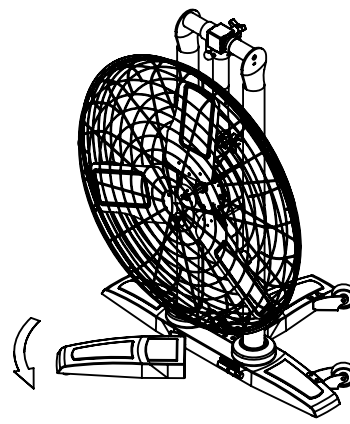


Figure 5

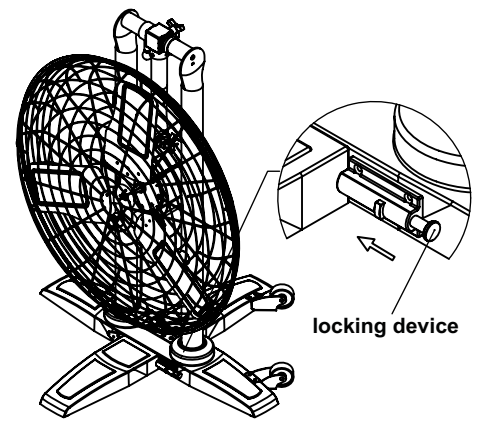


Figure 6

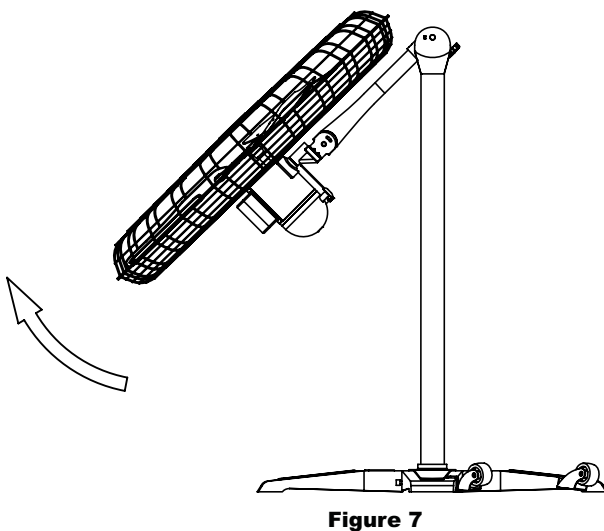


Figure 7

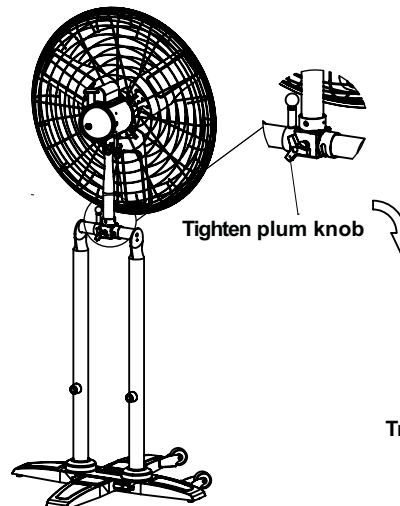


Figure 8

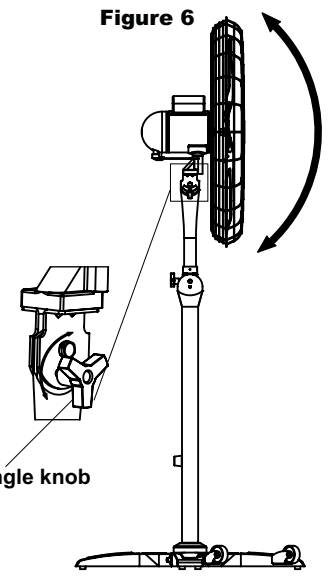


Figure 9

# Dayton® Foldable Oscillating Pedestal Air Circulator

## ON/OFF OSCILLATION FUNCTION

To allow the circulator head to oscillate, press the Oscillation Knob. Pull knob to lock the circulator head in one position. See Figure 10

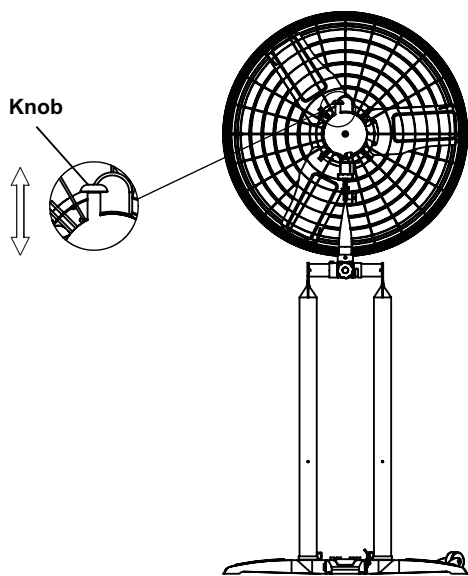


Figure 10

**▲ WARNING** *Unplug prior to servicing unit. To avoid personal injury, circulators must be supported any time angle is adjusted.*

### Operation

Use the pull-chain switch located at back of motor to select HI-LO speed or OFF.

To avoid the possibility of overturning the fan, operate on a stable, level surface. Do not move fan while it is in operation.

## Maintenance

**▲ WARNING** *Parts replacement and troubleshooting to be performed only by qualified personnel.*

**▲ WARNING** *Prior to cleaning make certain that unit is unplugged and disconnected from power source.*

### CLEANING

The propeller, guard, and motor should be cleaned periodically to prevent overheating, and/or operating in an imbalanced condition.

If cleaning is required, remove guard and reinstall when finished in its originally installed position. Do not attempt to repair propeller if it becomes damaged. The propeller is accurately balanced at the factory and must be replaced if damaged.

Motor is permanently lubricated.

**IMPORTANT:** If the propeller requires replacing, ensure the new propeller is designed for the identical rotation as original, factory installed propeller.

## LIMITED WARRANTY

**DAYTON ONE-YEAR LIMITED WARRANTY.** DAYTON® FOLDABLE OSCILLATING PEDESTAL AIR CIRCULATOR, MODELS COVERED IN THIS MANUAL, ARE WARRANTED BY DAYTON ELECTRIC MFG. CO. (DAYTON) TO THE ORIGINAL USER AGAINST DEFECTS IN WORKMANSHIP OR MATERIALS UNDER NORMAL USE FOR ONE YEAR AFTER DATE OF PURCHASE. ANY PART WHICH IS DETERMINED TO BE DEFECTIVE IN MATERIAL OR WORKMANSHIP AND RETURNED TO AN AUTHORIZED SERVICE LOCATION, AS DAYTON DESIGNATES, SHIPPING COSTS PREPAID, WILL BE, AS THE EXCLUSIVE REMEDY, REPAIRED OR REPLACED AT DAYTON'S OPTION. FOR LIMITED WARRANTY CLAIM PROCEDURES, SEE "PROMPT DISPOSITION" BELOW. THIS LIMITED WARRANTY GIVES PURCHASERS SPECIFIC LEGAL RIGHTS WHICH VARY FROM JURISDICTION TO JURISDICTION.

**LIMITATION OF LIABILITY.** TO THE EXTENT ALLOWABLE UNDER APPLICABLE LAW, DAYTON'S LIABILITY FOR CONSEQUENTIAL AND INCIDENTAL DAMAGES IS EXPRESSLY DISCLAIMED. DAYTON'S LIABILITY IN ALL EVENTS IS LIMITED TO AND SHALL NOT EXCEED THE PURCHASE PRICE PAID.

**WARRANTY DISCLAIMER.** A DILIGENT EFFORT HAS BEEN MADE TO PROVIDE PRODUCT INFORMATION AND ILLUSTRATE THE PRODUCTS IN THIS LITERATURE ACCURATELY; HOWEVER, SUCH INFORMATION AND ILLUSTRATIONS ARE FOR THE SOLE PURPOSE OF IDENTIFICATION, AND DO NOT EXPRESS OR IMPLY A WARRANTY THAT THE PRODUCTS ARE MERCHANTABILITY, OR FIT FOR A PARTICULAR PURPOSE, OR THAT THE PRODUCTS WILL NECESSARILY CONFORM TO THE ILLUSTRATIONS OR DESCRIPTIONS. EXCEPT AS PROVIDED BELOW, NO WARRANTY OR AFFIRMATION OF FACT, EXPRESSED OR IMPLIED, OTHER THAN AS STATED IN THE "LIMITED WARRANTY" ABOVE IS MADE OR AUTHORIZED BY DAYTON.

**Technical Advice and Recommendations, Disclaimer.** Notwithstanding any past practice or dealings or trade custom, sales shall not include the furnishing of technical advice or assistance or system design. Dayton assumes no obligations or liability on account of any unauthorized recommendations, opinions or advice as to the choice, installation or use of products.

**Product Suitability.** Many jurisdictions have codes and regulations governing sales, construction, installation, and/or use of products for certain purposes, which may vary from those in neighboring areas. While attempts are made to assure that Dayton products comply with such codes, Dayton cannot guarantee compliance, and cannot be responsible for how the product is installed or used. Before purchase and use of a product, review the product applications, and all applicable national and local codes and regulations, and be sure that the product, installation, and use will comply with them.

Certain aspects of disclaimers are not applicable to consumer products; e.g., (a) some jurisdictions do not allow the exclusion or limitation of incidental or consequential damages, so the above limitation or exclusion may not apply to you; (b) also, some jurisdictions do not allow a limitation on how long an implied warranty lasts, consequently the above limitation may not apply to you; and (c) by law, during the period of this Limited Warranty, any implied warranties of implied merchantability or fitness for a particular purpose applicable to consumer products purchased by consumers, may not be excluded or otherwise disclaimed.

**Prompt Disposition.** A good faith effort will be made for prompt correction or other adjustment with respect to any product which proves to be defective within limited warranty. For any product believed to be defective within limited warranty, first write or call dealer from whom the product was purchased. Dealer will give additional directions. If unable to resolve satisfactorily, write to Dayton at address below, giving dealer's name, address, date, and number of dealer's invoice, and describing the nature of the defect. Title and risk of loss pass to buyer on delivery to common carrier. If product was damaged in transit to you, file claim with carrier.

Manufactured for Dayton Electric Mfg. Co., 100 Grainger Parkway, Lake Forest, IL 60045 USA



# For Repair Parts, call 1-800-Grainger

24 hours a day – 365 days a year

Please provide following information:

- Model number
- Serial number (if any)
- Part description and number as shown in parts list

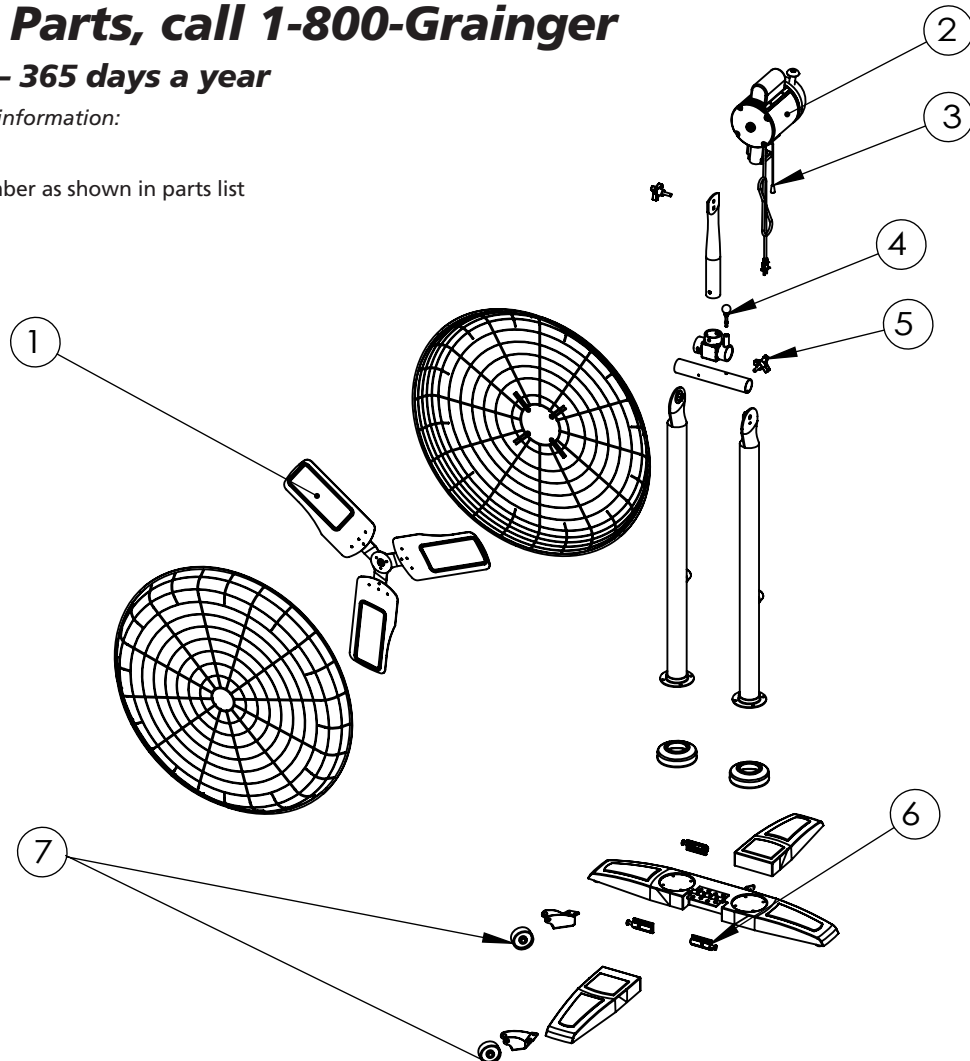


Figure 1 1 – Repair Parts Illustration For Foldable Oscillating Pedestal Air Circulator

## Repair Parts List for Foldable Oscillating Pedestal Air Circulator

Reference Numbe	Description	Part Number for Models:		Quantity
		22YK15	22YK17	
1	Propeller	VE22YK15PG	VE22YK17PG	1
2	Motor	VE22YK15MG	VE22YK17MG	1
3	Pull Chain Switch	VE22YK15PCSG	VE22YK17PCSG	1
4	Spring Lock	VE22YK15SLG	VE22YK17SLG	1
5	Plum Knob	VE22YK15PKG	VE22YK17PKG	1
6	Locking Device	VE22YK15LDG	VE22YK17LDG	1
7	Wheel (pair)	VE22YK15WG	VE22YK17WG	1

# Dayton® Foldable Oscillating Pedestal Air Circulator

## Troubleshooting Chart

Symptom	Possible Cause(s)	Corrective Action
Unit fails to operate	<ol style="list-style-type: none"> <li>1. Power cord not plugged in</li> <li>2. Blown fuse or open circuit breaker</li> <li>3. No power</li> <li>4. Defective motor</li> </ol>	<ol style="list-style-type: none"> <li>1. Plug into outlet</li> <li>2. Replace fuse or reset circuit breaker</li> <li>3. Contact power company</li> <li>4. Replace motor</li> </ol>
Excessive vibration	<ol style="list-style-type: none"> <li>1. Mounting guard screws are torqued insufficiently</li> <li>2. Propeller imbalance due to accumulation of dirt, etc.</li> </ol>	<ol style="list-style-type: none"> <li>1. Torque the nuts to 15-20 in. lbs.</li> <li>2. Clean propeller</li> </ol>

E  
N  
G  
L  
I  
S  
H

**Lee y guarda estas instrucciones.** Lee y revise cuidadosamente antes de intentar ensamblar, instalar, operar o darle mantenimiento al producto descrito. Protégete a ti y a los demás cumpliendo con toda la información de seguridad. No obedecer estas indicaciones puede ocasionar lesiones personales y/o daños a la propiedad. Conserva estas instrucciones para consultarlas en el futuro.

# Dayton® Circulador de aire oscilante con pedestal plegable

## Descripción

Los circuladores de aire oscilantes con pedestal plegable Dayton son circuladores de ensamblaje completo.

Se deben hacer 8 pasos simples para desplegar estos circuladores. Estos circuladores se utilizan para proporcionar alto volumen de circulación de aire para aplicaciones específicas y generales en un ambiente limpio y seco. Los protectores de alambre con cubierta granular de color negro cumplen con el requisito de apertura de 1/2" del estándar OSHA de los EE.UU. Todos estos circuladores de aire cuentan con protección térmica de restablecimiento automático. Los cabezales del circulador cuentan con ajuste de inclinación con seguro. Los motores están permanentemente lubricados.

El cabezal oscilante del ventilador gira 90° de lado a lado o se bloquea en el lugar.

## Rendimiento

Modelo	Diámetro de la hélice (cm)	RPM del Motor	HP	Voltios Hz.	CFM altos	CFM bajos	Velocidad del aire a 20 pies (FPM)	Funcionamiento completa en Amperios	Carga completa en amperios
22YK15	24"	1100/950	1/4	120 60	9200	7680	450/210	2.85/2.15	2.8
22YK17	30"	1100/950	1/4	120 60	8625	7440	510/240	2.8/2.0	2.8

### OSCILANTE

## Cómo desempacar

1. Verifica con cuidado que ninguna de las piezas haya sufrido daños durante el envío.
2. El reclamo por daños de envío se debe presentar ante el transportista.

## Información de seguridad general

1. Asegúrate de que la fuente de alimentación cumpla con los requisitos eléctricos del circulador de aire.
2. Cuando se encuentra un receptáculo de pared de dos clavijas, se debe reemplazar con un receptáculo de tres clavijas debidamente conectado a tierra de acuerdo con el Código Nacional de Electricidad (NEC en inglés) y todos los códigos y ordenanzas locales aplicables. Este trabajo debe estar a cargo de un electricista calificado, utilizando sólo cable de cobre.

**⚠ ADVERTENCIA** No se recomienda usar un adaptador de dos a tres clavijas. La conexión indebida puede crear riesgo de descarga eléctrica. El uso de dichos adaptadores está prohibido en Canadá.

**⚠ ADVERTENCIA** Antes de la limpieza, asegúrate que la unidad esté desenchufada y desconectada de la fuente de alimentación.

3. Cuando sea posible, evita el uso de cables de extensión. Si se deben utilizar, disminuye el riesgo de recalentamiento asegurándote de que estén aprobados por UL y tengan la longitud y el calibre adecuados. No uses un solo cable de extensión para poner en funcionamiento más de un circulador de de aire.
4. No tuerzas el cable ni permitas que entre en contacto con aceite, grasa, químicos, superficies calientes u objetos filosos o abrasivos.
5. Este circulador de aire se debe operar SÓLO con su protector que cumple con los requisitos de OSHA, a fin de evitar que las personas y los objetos entren en contacto con la hélice giratoria. Cualquier otro uso invalida la garantía y puede crear condiciones no seguras.

**⚠ ADVERTENCIA** No coloques los dedos u objetos extraños en el circulador de aire. No bloques ni uses indebidamente el circulador de aire mientras está en funcionamiento.

**⚠ ADVERTENCIA** No toques el motor. Puede que esté suficientemente caliente para provocar lesiones.

**⚠ ADVERTENCIA** Para reducir el riesgo de incendio o descarga eléctrica, no utilices este ventilador con ningún dispositivo de control de velocidad de estado sólido.

**⚠ ADVERTENCIA** Para evitar los daños del motor del ventilador oscilante, este ventilador sólo se puede usar una vez desplegado completamente.



Figura 1

6. El circulador de aire está diseñado SOLO para circulación del aire en general. NO se debe usar en lugares potencialmente peligrosos como en ambientes inflamables, explosivos, con cargas químicas o húmedos. No usar el circulador de aire cerca de una ventana ya que la lluvia podría causar riesgo de descarga eléctrica. No fijas la red de conductos al circulador de aire.
7. El motor del circulador de aire está equipado con un protector térmico que desconectará la alimentación si el motor se sobrecalienta. Desenchufa siempre el circulador de aire antes de retirar la protección o acceder de otro modo al motor, ya que se puede reiniciar de forma inesperada.
8. En los casos en que se puedan producir daños a la propiedad por mal funcionamiento del circulador de aire, se debe utilizar una alarma adecuada (interruptor de aire, sensor de temperatura, etc.).
9. No uses ventiladores con el cable o el enchufe dañado. Deséchalo o devuélvelo al centro de mantenimiento autorizado para que sea revisado y/o reparado.
10. No pases el cable por debajo de alfombras. No cubras el cable con tapetes, alfombras de pasillo o cubiertas similares. No coloques los cables debajo de muebles o electrodomésticos. Coloca el cable lejos de las zonas de alto tráfico, donde alguien no pueda enredarse con él.

# Dayton® Circulador de aire oscilante con pedestal plegable

## Instrucciones para desplegarlo

Ver Figura 2 a 9.

1. Desempaca la unidad del ventilador de la caja de envío. Corta la correa que sostiene el soporte frontal de base durante el envío. Ver la Figura 2.
2. Vuelve a colocar el soporte frontal de base sobre una superficie plana y nivelada. Ver la Figura 2 y 3.
3. Sujeta el soporte frontal de base usando el dispositivo de bloqueo de lado derecho e izquierdo como se muestra a continuación. Empuja hasta que el dispositivo de bloqueo se acople completamente. Ver la Figura 4.
4. Vuelve a colocar el soporte posterior de base. Ver la Figura 5.
5. Sujeta el soporte posterior de base con el dispositivo de bloqueo derecho (igual que el paso 3).
6. Levanta el cabezal del ventilador hasta que se escuche un click y se detenga. (Figura 7)
7. Bloquéalo en la posición ajustando la perilla redonda. (Figura 8)
8. Ajusta el ángulo de inclinación apretando la perilla triangular en la vara superior. (Figura 9)

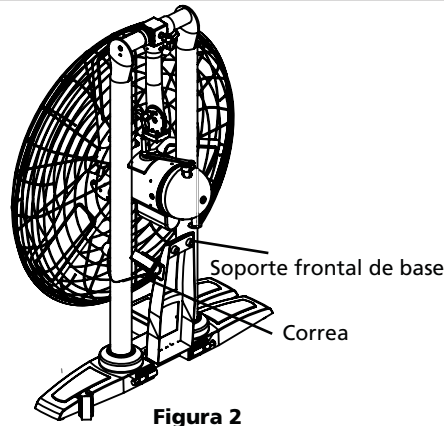


Figura 2

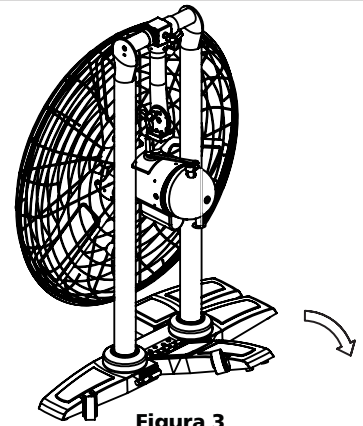


Figura 3

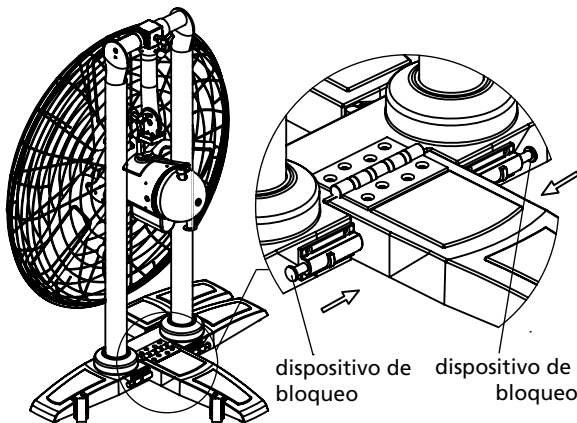


Figura 4

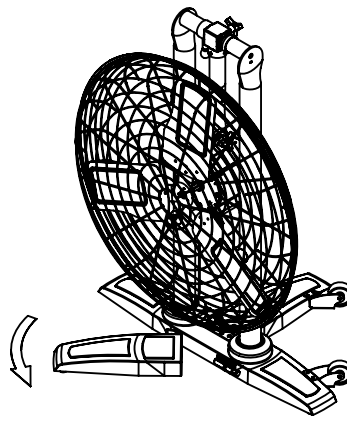


Figura 5

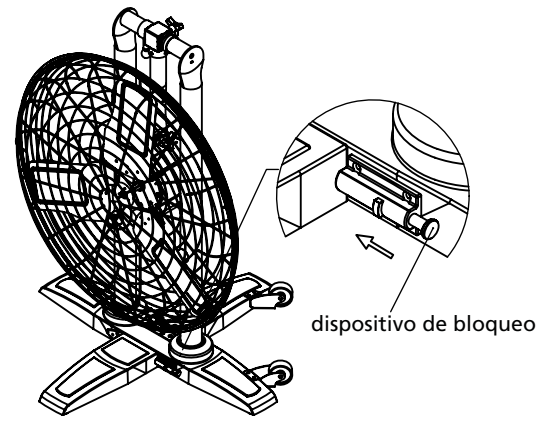


Figura 6

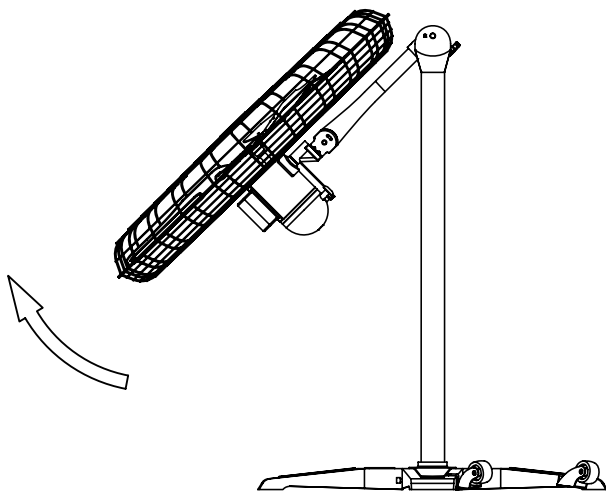


Figura 7

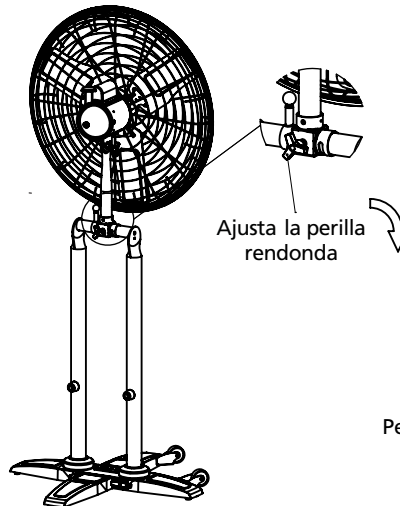


Figura 8

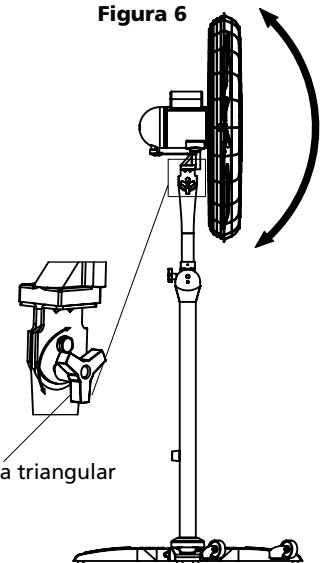


Figura 9



# Dayton® Circulador de aire oscilante con pedestal plegable

## ENCENDIDO Y APAGADO (ON/OFF) DE LA FUNCIÓN DE OSCILACIÓN

Para permitir que el cabezal del circulador oscile, presiona la perilla de oscilación. Tira la perilla para bloquear el cabezal del circulador en una posición. Ver Figura 10

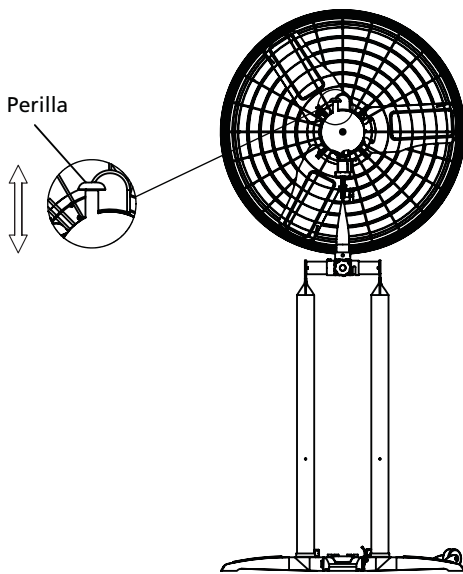


Figura 10

## ⚠ ADVERTENCIA Desconecta antes de darle mantenimiento.

**Para evitar lesiones personales, los circuladores deben estar apoyados cada vez que se ajuste el ángulo. Funcionamiento**

Utiliza el interruptor de cadena ubicado en la parte posterior del motor para seleccionar velocidad alta o baja o apagado. Para evitar la posibilidad de que el ventilador se incline y caiga, haz que funcione sobre una superficie estable y nivelada. No muevas el ventilador cuando esté funcionando.

## Mantenimiento

⚠ ADVERTENCIA El reemplazo de piezas y la solución de problemas debe estar solamente a cargo de personal calificado.

⚠ ADVERTENCIA Antes de la limpieza, asegúrate que la unidad esté desenchufada y desconectada de la fuente de alimentación.

## LIMPIEZA

La hélice, el protector y el motor se deben limpiar de forma periódica para evitar el sobrecalentamiento y/o el funcionamiento en una condición no equilibrada.

Si se requiere limpiarlo, retira el protector y vuelve a instalarlo al terminar en su posición instalada originalmente. No intentes reparar la hélice si se daña. La hélice está debidamente equilibrada de fábrica y se debe reemplazar en caso de sufrir daños.

El motor está permanentemente lubricado.

**IMPORTANTE:** Si la hélice requiere reemplazo, asegúrate de que la hélice nueva esté diseñada para una rotación idéntica a la hélice original instalada de fábrica.

## GARANTÍA LIMITADA

**GARANTÍA LIMITADA DE UN AÑO DAYTON.** DAYTON® LOS MODELOS DEL CIRCULADOR DE AIRE OSCILANTE CON PEDESTAL PLEGABLE CUBIERTOS EN ESTE MANUAL TIENEN GARANTÍA DE DAYTON ELECTRIC MFG.CO. (DAYTON) PARA EL USUARIO ORIGINAL CONTRA LOS DEFECTOS DE FABRICACIÓN O MATERIALES EN CONDICIONES DE USO NORMAL UN AÑO POSTERIOR A LA FECHA DE COMPRA. COMO SOLUCIÓN EXCLUSIVA, DAYTON REPARARÁ O REEMPLAZARÁ A CRITERIO PROPIO TODA PIEZA QUE SE DETERMINE COMO DEFECTUOSA EN CUANTO A LA FABRICACIÓN O LOS MATERIALES Y DEVUELTA A UN LUGAR DE SERVICIO AUTORIZADO, HABIENDO PAGADO PREVIAMENTE LOS GASTOS DE ENVÍO. PARA LOS PROCEDIMIENTOS DE RECLAMOS CON GARANTÍA LIMITADA, CONSULTE "DISPOSICIÓN DE AVISO" A CONTINUACIÓN. ESTA GARANTÍA LIMITADA LE OTORGA DERECHOS LEGALES ESPECÍFICOS QUE VARIAN DE UNA JURISDICCIÓN A OTRA.

**LÍMITES DE RESPONSABILIDAD:** EN LA MEDIDA QUE LA LEY LO PERMITA, LA RESPONSABILIDAD DE DAYTON POR LOS DAÑOS DIRECTOS E INDIRECTOS ESTÁ EXPRESAMENTE EXIMIDA. LA RESPONSABILIDAD DE DAYTON EN TODOS LOS CASOS ES LIMITADA Y NO SUPERARÁ EL PRECIO DE COMPRA PAGADO.

**CLAÚSULA DE EXENCIÓN DE RESPONSABILIDAD DE LA GARANTÍA.** SE HA REALIZADO UN ESFUERZO DILIGENTE PARA PROPORCIONAR LA INFORMACIÓN DEL PRODUCTO E ILUSTRAR EL PRODUCTO DE FORMA EXACTA EN ESTE MANUAL; SIN EMBARGO, DICHA INFORMACIÓN E ILUSTRACIONES SON PARA EL ÚNICO FIN DE IDENTIFICACIÓN Y NO EXPRESAN NI IMPLICAN UNA GARANTÍA DE QUE LOS PRODUCTOS SEAN COMERCIABLES O APTOS PARA UN FIN EN PARTICULAR, O QUE LOS PRODUCTOS NECESARIAMENTE SE ADAPTAN A LAS ILUSTRACIONES O DESCRIPCIONES. EXCEPTO POR LO ESTIPULADO MÁS ADELANTE, DAYTON NO REALIZA NI AUTORIZA NINGUNA GARANTÍA NI AFIRMACIÓN DE HECHO, DE MANERA EXPRESA O IMPLÍCITA, MÁS ALLÁ DE AQUELLA ESTIPULADA EN LA GARANTÍA LIMITADA ANTERIOR.

**Asesoramiento técnico y recomendaciones; Cláusula de exención de responsabilidad.** Independientemente de cualquier práctica pasada o costumbre comercial, las ventas no incluirán la asistencia o asesoramiento técnico ni el diseño del sistema. Dayton no asume obligación ni responsabilidad alguna por cualquier recomendación, opiniones o asesoramiento no autorizado con respecto a la elección, instalación o uso de los productos.

**Idoneidad del producto.** Varias jurisdicciones tienen códigos y reglamentos que rigen las ventas, la construcción, instalación y/o el uso de productos para fines determinados, que pueden variar de aquellos de las áreas adyacentes. Mientras que se intenta asegurar que los productos Dayton cumplen con dichos códigos, Dayton no puede garantizar el cumplimiento y no puede responsabilizarse por el modo en que se instale o se utilice el producto. Antes de la compra y el uso de un producto, revise las aplicaciones del producto y todos los códigos y reglamentos nacionales y locales aplicables y asegúrese de que el producto, la instalación y el uso cumplan con estos.

Algunos aspectos de las cláusulas de exención de responsabilidad no se aplican a los productos de consumidor; por ej., (a) algunas jurisdicciones no permiten la exclusión o limitación de daños directos o indirectos, de modo que es posible las limitaciones o exclusiones anteriores no se apliquen a su caso; (b) además, algunas jurisdicciones no permiten una limitación sobre cuánto tiempo dura una garantía implícita; consecuentemente, es posible que la limitación anterior no se aplique a su caso; y (c) según lo estipulado por la ley, durante el periodo de esta garantía limitada, es posible que no se excluyan o declinen de otro modo, las garantías implícitas de comerciabilidad implícita o idoneidad para un fin en particular, aplicables a los productos de consumidor adquiridos por los consumidores.

**Disposición de aviso.** Se realizará un esfuerzo de buena fe para la pronta corrección u otro ajuste con respecto a cualquier producto que demuestre estar defectuoso dentro de la garantía limitada. Para cualquier producto considerado defectuoso dentro de la garantía limitada, escriba primero o llame al distribuidor de quien adquirió el producto. El distribuidor dará instrucciones adicionales. En caso de no poder resolverse satisfactoriamente, escriba a Dayton a la dirección que se indica a continuación, dando el nombre del distribuidor, la dirección, la fecha y el número de la factura del distribuidor y una descripción de la naturaleza del defecto. La titularidad y el riesgo de pérdida pasan al comprador en el momento de la entrega al transportista común. Si el producto se dañó durante el envío, presente un reclamo ante el transportista.

**Fabricado por:** Dayton Electric Mfg. Co., 100 Grainger Parkway, Lake Forest, IL 60045 USA



**Para obtener piezas de repuesto,  
llama al 1-800-Grainger  
las 24 horas al día durante los 365 del año**

Provee la siguiente información:

- Número de modelo
- Número de serie (si existe),
- Descripción de la pieza (como se muestra en la lista de piezas)

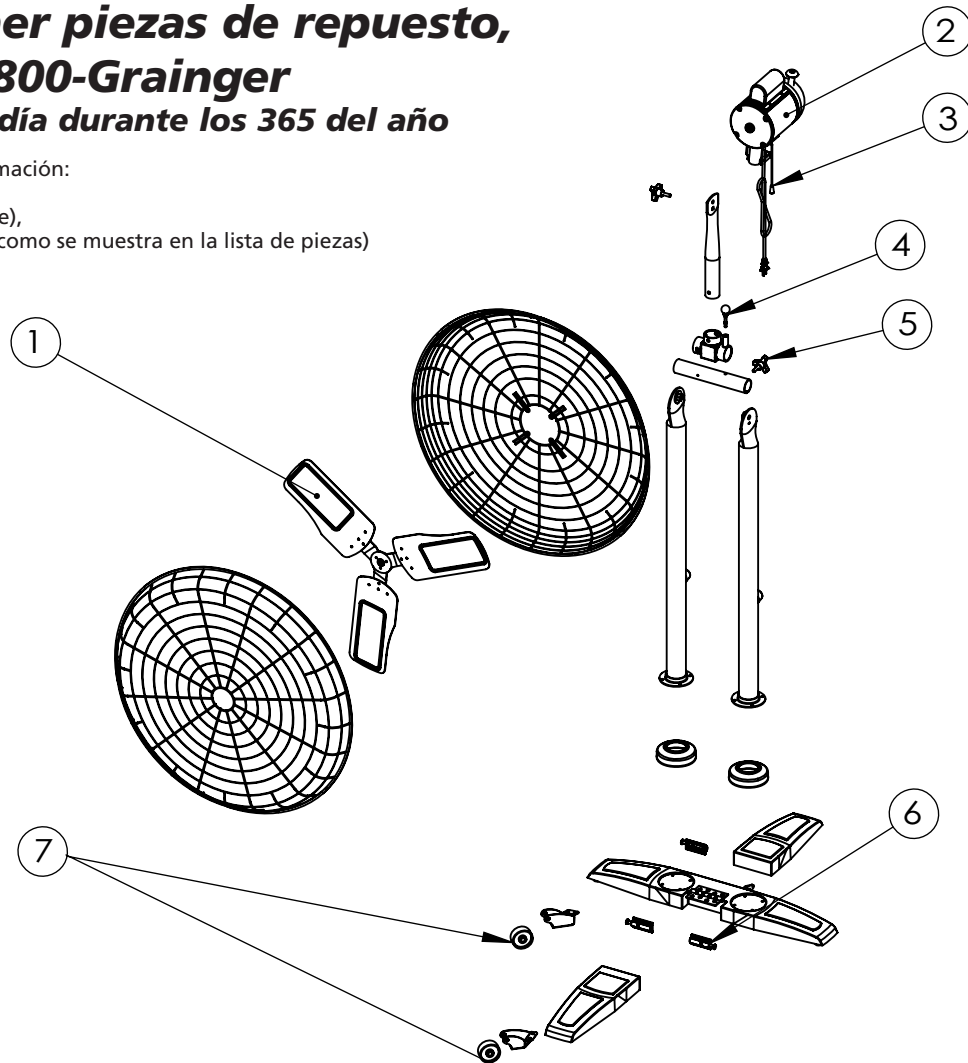


Figura 11: ilustración de piezas de repuesto para circulador de aire oscilante con pedestal plegable

**Lista de piezas de repuesto para circulador de aire oscilante con pedestal plegable**

Núm. de Número	Descripción	Referencia Número de pieza para modelos:	22YK15	22YK17	Cantidad
1	Hélice	VE22YK15PG	VE22YK17PG	1	
2	Motor	VE22YK15MG	VE22YK17MG	1	
3	Interruptor de cadena	VE22YK15PCSG	VE22YK17PCSG	1	
4	Cierre con s rte	VE22YK15SLG	VE22YK17SLG	1	
5	Perilla redonda	VE22YK15PKG	VE22YK17PKG	1	
6	Dispositivo de bloqueo	VE22YK15LDG	VE22YK17LDG	1	
7	Rueda (par)	VE22YK15WG	VE22YK17WG	1	

# Circulador de aire oscilante con pedestal plegable Dayton

## Tabla de solución de problemas

Síntoma	Causa posible	Acción correctiva
La unidad no funciona	<ol style="list-style-type: none"><li>1. El cable de alimentación no está enchufado</li><li>2. Fusible fundido o disyuntor de circuito abierto</li><li>3. No hay electricidad</li><li>4. Motor defectuoso</li></ol>	<ol style="list-style-type: none"><li>1. Enchúfalo en el tomacorriente</li><li>2. Reemplaza el fusible o reinicia el disyuntor de circuito</li><li>3. Comunícate con la compañía de electricidad</li><li>4. Reemplaza el motor</li></ol>
Vibración excesiva	<ol style="list-style-type: none"><li>1. Los tornillos de montaje del protector no están suficientemente ajustados</li><li>2. Desequilibrio de la hélice debido a acumulación de suciedad, etc.</li></ol>	<ol style="list-style-type: none"><li>1. Ajusta las tuercas a 15 a 20 plg lb</li><li>2. Limpia la hélice</li></ol>

**Veillez lire et conserver ces instructions.** Lisez soigneusement avant de tenter d'assembler, d'installer, d'utiliser ou d'entretenir le produit décrit. Protégez-vous et les autres en vous conformant à toutes les informations de sécurité. Tout manquement à suivre ces instructions peut entraîner des blessures corporelles et/ou des dommages matériels! Conservez ces instructions à titre de référence ultérieure.

# Dayton® Ventilateur oscillant sur pied repliable

## Description

Les ventilateurs oscillants sur pied repliables de Dayton sont complètement assemblés. Il existe 8 étapes simples pour déplier ces ventilateurs. Ces ventilateurs sont utilisés pour fournir un volume élevé de circulation d'air pour les applications de refroidissement localisé et général dans un environnement propre et sec. Les grilles en fil métallique à revêtement en poudre noire sont conformes à la norme OSHA 1910.212 des États-Unis concernant un espacement requis de 1,27cm (1/2 po). Tous ces ventilateurs sont équipés d'une protection thermique de ré-initialisation automatique. Les têtes de ventilateur sont munies d'un réglage d'inclinaison verrouillable. Les moteurs sont lubrifiés en permanence. La tête oscillante du ventilateur pivote latéralement sur 90° ou se verrouille en place.

## Rendement

Modèle	Diam. de l'hélice (cm [po])	Moteur TR/MIN CV	Volts	Hz	pi <sup>3</sup> /min Élevé	PI <sup>3</sup> /MIN Faible	Vitesse de l'air @ 20 PI (PIPM)	Courant de fonctionnement	Courant à pleine charge	
OSCILLANT										
22YK15	60,96 cm (24 po)	1100/950	1/4	120	60	9200	7680	450/210	2.85/2.15	2.8
22YK17	76,20 cm (30 po)	1100/950	1/4	120	60	8625	7440	510/240	2.8/2.0	2.8



Figure 1

## Déballage

- Inspectez soigneusement à la recherche de dommages qui au-raient pu se produire au cours du transport.
- Les réclamations relatives aux dommages dus au transport doivent être déposées auprès du transporteur.

## Consignes de sécurité générale

- Assurez-vous que la source d'alimentation électrique est conforme aux exigences en électricité du ventilateur.
- Si vous avez une prise murale à deux broches, vous devez la remplacer par une prise à trois broches correctement mise à la terre et installée conformément au United States National Electric Code (NEC) (Code national d'électricité des États-Unis) et à tous les codes et règlements locaux applicables. Ce remplacement doit être effectué uniquement par un électricien qualifié en n'utilisant que des fils de cuivre.

**AVERTISSEMENT** Il est recommandé de ne pas utiliser un adaptateur de trois à deux broches. Une mauvaise connexion peut créer un risque d'électrocution. Il est interdit d'utiliser de tels adaptateurs au Canada.

**AVERTISSEMENT** Avant de nettoyer, assurez-vous que l'appareil est débranché et déconnecté de la source d'alimentation électrique.

- Autant que possible, évitez l'utilisation de rallonges. Si vous devez en utiliser une, diminuez le risque de surchauffe en vous assurant qu'elle est homologuée UL et du calibre et de la longueur appropriés. N'utilisez jamais une seule rallonge pour faire fonctionner plus d'un ventilateur.
- Ne tordez pas le cordon et ne le laissez pas entrer en contact avec de l'huile, de la graisse, des produits chimiques, des surfaces chaudes ou des objets coupants ou abrasifs.
- Ce ventilateur doit fonctionner UNIQUEMENT avec sa grille conforme à OSHA en place pour empêcher toute personne et objet d'entrer en contact avec l'hélice tournante. Toute autre utilisation annule la garantie et peut créer des conditions dangereuses.

**AVERTISSEMENT** N'insérez pas les doigts ou des objets étrangers dans le ventilateur. Ne bloquez et n'altérez pas le ventilateur de quelque manière que ce soit pendant qu'il est en marche.

**AVERTISSEMENT** Ne touchez pas le moteur. Peut être suffisamment chaud pour causer une blessure corporelle.

**AVERTISSEMENT** Pour réduire les risques d'incendie ou d'électrocution, n'utilisez ce ventilateur avec aucun appareil de réglage de vitesse transistorisé.

**AVERTISSEMENT** Pour éviter d'endommager le moteur du ventilateur oscillant, ce ventilateur ne peut être utilisé qu'une fois qu'il est complètement déplié.

- Le ventilateur est conçu pour la circulation générale d'air UNIQUEMENT. Il NE doit PAS être utilisé dans des emplacements potentiellement dangereux tels que les atmosphères inflammables, explosives, chargées de produits chimiques ou humides. N'utilisez pas un ventilateur dans ou à proximité d'une fenêtre car la pluie pourrait créer un risque électrique. N'attachez pas de conduit d'aération au ventilateur.
- Le moteur du ventilateur est équipé d'un protecteur thermique à ré-initialisation automatique qui coupera le courant si le moteur surchauffe. Débranchez toujours le ventilateur avant de retirer la grille ou d'accéder au moteur d'une manière quelconque car il peut se remettre en marche de manière soudaine.
- Si un mauvais fonctionnement du ventilateur peut entraîner des dommages matériels, il faut utiliser une alarme convenable (commutateur de débit d'air, détecteur de température, etc.).
- N'utilisez pas un ventilateur dont le cordon d'alimentation ou la fiche est endommagé(e). Jetez le ventilateur ou retournez-le à un centre de service autorisé pour qu'il soit examiné et/ou réparé.
- Ne faites pas passer le cordon d'alimentation sous une moquette. Ne recouvrez pas le cordon d'alimentation de tapis, de couloir ou d'autres couvertures semblables. Ne faites pas passer le cordon d'alimentation sous des meubles ou des appareils électroménagers. Placez le cordon d'alimentation à l'écart des endroits passants, là où il sera impossible de trébucher dessus.

# Dayton® Ventilateur oscillant sur pied repliable

## Instructions de dépliage

Voir les Figures 2 à 9.

1. Déballez le ventilateur du carton d'expédition. Coupez la sangle qui retient le support de pied avant pendant l'expédition. Voir la Figure 2.
2. Repositionnez le support de pied avant sur une surface plane et de niveau. Voir les Figures 2 et 3.
3. Fixez solidement le support de pied avant à l'aide des dispositifs de verrouillage des côtés droit et gauche illustrés ci-dessous. Poussez jusqu'à ce que le dispositif de verrouillage s'enclenche complètement. Voir la Figure 4.
4. Repositionnez le support de pied arrière. Voir la Figure 5.
5. Fixez solidement le support de pied arrière à l'aide du dispositif de verrouillage droit (comme à l'étape 3.)
6. Soulevez la tête du ventilateur jusqu'à ce que vous entendiez un son de déclic/d'enclenchement et arrêtez. (Figure 7)
7. Verrouillez en position en serrant le bouton prune. (Figure 8)
8. Réglez l'angle d'inclinaison en serrant le bouton triangulaire du montant supérieur. (Figure 9)

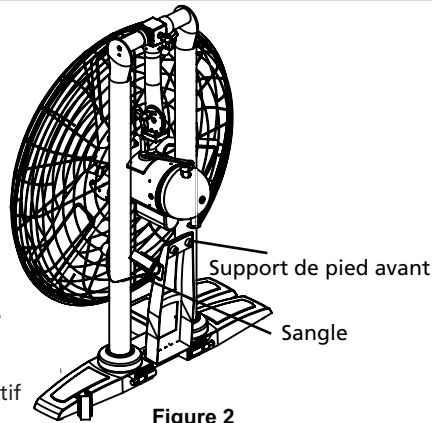


Figure 2

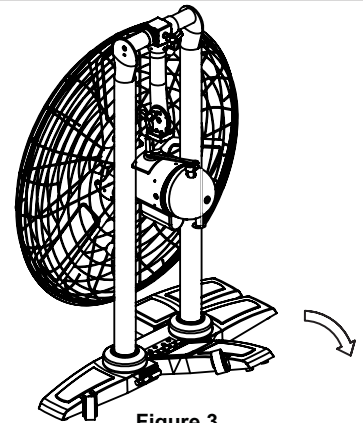


Figure 3

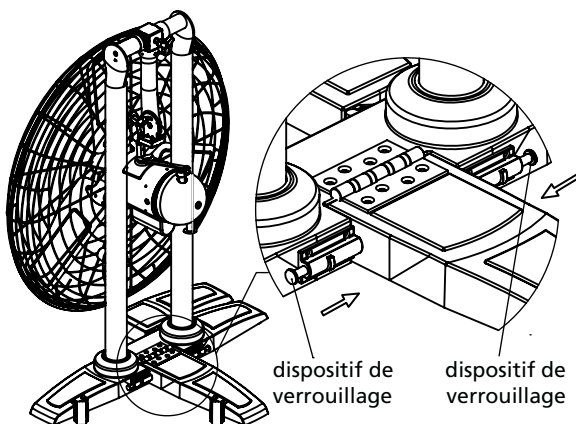


Figure 4

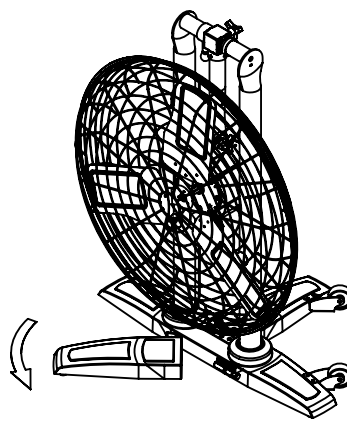


Figure 5

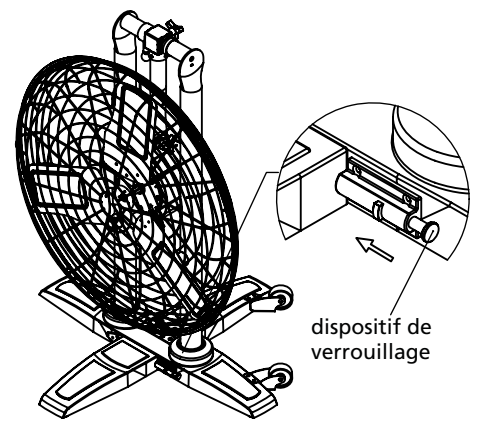


Figure 6

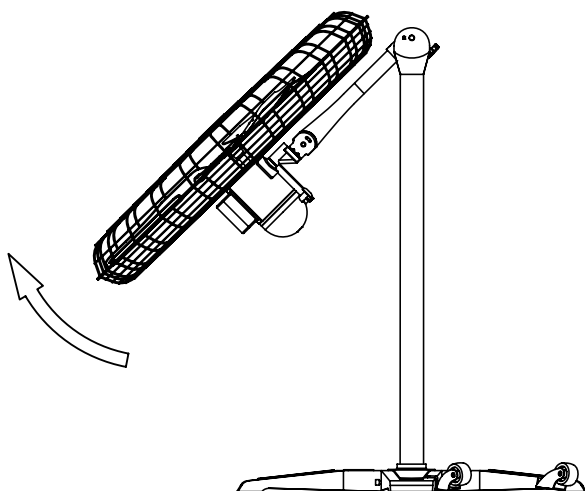


Figure 7

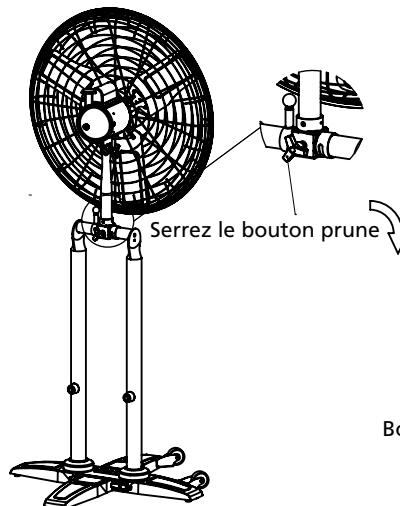


Figure 8

2-fr

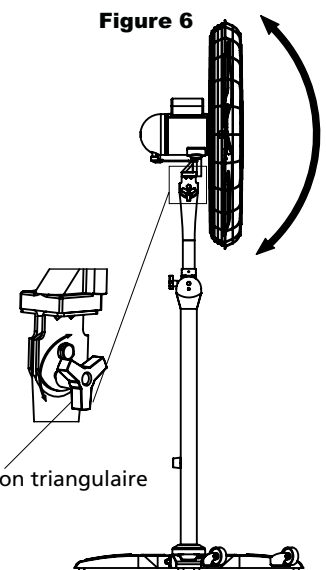


Figure 9

# Dayton® Ventilateur oscillant sur pied repliable

## FONCTION D'OSCILLATION MARCHE/ ARRÊT

Pour permettre à la tête du ventilateur d'osciller, appuyez sur le bouton d'oscillation. Tirez sur le bouton pour verrouiller la tête du ventilateur dans une position. Voir la Figure 10

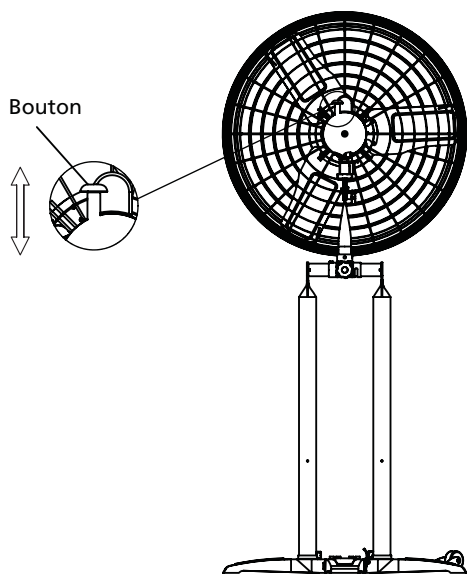


Figure 10

**⚠ AVERTISSEMENT** *Débranchez avant de réparer ou entretenir l'appareil. Pour éviter les blessures corporelles, les ventilateurs doivent être soutenus à chaque fois que l'angle est réglé.*

### Utilisation

Utilisez l'interrupteur à chaîne situé au dos du moteur pour choisir la vitesse ÉLEVÉE-FAIBLE ou ARRÊT.

Pour éviter toute possibilité de renversement du ventilateur, utilisez-le sur une surface stable et de niveau. Ne déplacez pas le ventilateur pendant qu'il est en marche.

## Entretien

**⚠ AVERTISSEMENT** *Le remplacement des pièces et le dépannage ne doivent être effectués que par un personnel qualifié.*

**⚠ AVERTISSEMENT** *Avant de nettoyer, assurez-vous que l'appareil est débranché et déconnecté de la source d'alimentation électrique.*

### NETTOYAGE

L'hélice, la grille et le moteur doivent être nettoyés régulièrement pour empêcher la surchauffe et/ou un fonctionnement dans une condition déséquilibrée. Si un nettoyage est requis, retirez la grille et installez-la à nouveau dans sa position originale lorsque vous avez terminé. Ne tentez pas de réparer l'hélice si elle est endommagée. L'hélice est correctement équilibrée en usine et doit être remplacée si elle est endommagée. Le moteur est lubrifié en permanence.

**IMPORTANT :** Si l'hélice a besoin d'être remplacée, assurez-vous que la nouvelle hélice est conçue pour la même rotation que l'hélice originale installée en usine.

## GARANTIE LIMITÉE

**GARANTIE LIMITÉE D'UN AN DE DAYTON.** DAYTON® VENTILATEUR OSCILLANT SUR PIED REPLIABLE, LES MODÈLES COUVERTS DANS CE GUIDE SONT GARANTIS PAR DAYTON ELECTRIC MFG.CO. (DAYTON) À L'ACHETEUR ORIGINAL, CONTRE TOUT DÉFAUT DE FABRICATION OU DE MATÉRIAUX DANS DES CONDITIONS NORMALES D'UTILISATION PENDANT UN AN À COMPTER DE LA DATE D'ACHAT. TOUTE PIÈCE QUI EST CONSIDÉRÉE PRÉSENTER UN DÉFAUT DE MATÉRIAUX OU DE FABRICATION ET EST RETOURNÉE À UN CENTRE DE SERVICE AUTORISÉ DÉSIGNÉ PAR DAYTON, EN PORT PRÉPAYÉ, SERA RÉPARÉE OU REMPLACÉE AU CHOIX DE DAYTON; IL S'AGIT DU SEUL RECOURS. POUR LA PROCÉDURE À SUIVRE POUR LES RÉCLAMATIONS DANS LE CADRE DE LA GARANTIE LIMITÉE, CONSULTEZ LA SECTION «TRAITEMENT RAPIDE» CI-DESSOUS. EN VERTU DE LA PRÉSENTE GARANTIE LIMITÉE, LES ACHETEURS BÉNÉFICIENT DE DROITS JURIDIQUES PARTICULIERS QUI VARIENT D'UNE JURIDICTION À L'AUTRE.

**LIMITES DE RESPONSABILITÉ.** DANS LES LIMITES AUTORISÉES PAR LA LOI APPLICABLE, LA RESPONSABILITÉ DE DAYTON POUR LES DOMMAGES INDIRECTS ET ACCESSOIRES EST EXPRESSÉMENT EXCLUE. LA RESPONSABILITÉ DE DAYTON, DANS TOUTS LES CAS, EST LIMITÉE À ET NE PEUT DÉPASSER LE PRIX D'ACHAT.

**CLAUSES D'EXCLUSIONS DE LA GARANTIE.** ON S'EST ASSIDÛMENT EFFORCÉ DE FOURNIR DES INFORMATIONS EXACTES SUR LES PRODUITS ET D'ILLUSTRER LES PRODUITS PRÉCISÉMENT DANS CE GUIDE; CEPENDANT, DE TELLES INFORMATIONS ET ILLUSTRATIONS SONT À DES FINS D'IDENTIFICATION UNIQUEMENT ET NE REPRÉSENTENT PAS EXPRESSÉMENT OU IMPLICITEMENT, UNE GARANTIE DE QUALITÉ MARCHANDE OU D'ADAPTATION À UN USAGE PARTICULIER, NI QUE LE PRODUIT SERA NÉCESSAIREMENT CONFORME AUX ILLUSTRATIONS OU DESCRIPTIONS. SAUF DANS LES CAS PRÉVUS CI-DESSOUS, AUCUNE GARANTIE OU DÉCLARATION DE FAIT, EXPRESSE OU IMPLICITE, À L'EXCEPTION DE CE QUI EST INDIQUÉ DANS LA «GARANTIE LIMITÉE» CI-DESSUS N'EST DONNÉE PAR DAYTON.

**Clause d'exclusion de responsabilité pour les conseils et recommandations techniques.** Nonobstant toute pratique, activité ou usage commercial antérieurs, les ventes ne comprendront pas la fourniture de conseils ou d'assistance technique ni de conception de système. Dayton n'assume aucune responsabilité en matière de recommandations, opinions ou conseils non autorisés sur le choix, l'installation ou l'utilisation des produits.

**Adaptation des produits.** De nombreuses juridictions ont des codes et réglementations qui régissent les ventes, la construction, l'installation et/ou l'utilisation de produits pour certaines fins, qui peuvent varier de ceux des régions voisines. Bien que tous les efforts soient faits pour assurer que les produits Dayton sont conformes à ces codes, Dayton ne peut garantir la conformité et ne peut être tenu responsable de la façon dont le produit est installé ou utilisé. Avant d'acheter ou d'utiliser un produit, examinez les applications du produit et tous les codes et réglementations nationaux et locaux applicables et assurez-vous que le produit, l'installation et l'utilisation y seront conformes.

Certains aspects des clauses d'exonération de responsabilité ne s'appliquent pas aux produits de consommation; par ex., (a) certaines juridictions ne permettent pas l'exclusion ou la restriction des dommages accessoires ou indirects, par conséquent, les restrictions ou exclusions mentionnées ci-dessus pourraient ne pas s'appliquer à votre cas; (b) en outre, certaines juridictions ne permettent pas les restrictions quant à la durée d'une garantie implicite. Par conséquent, il se peut que la restriction mentionnée ci-dessus ne s'applique pas à votre cas; et (c) comme prescrit par la loi, pendant la période de cette garantie limitée, toute garantie implicite de qualité marchande ou d'adaptation à un usage particulier applicable aux produits de consommation achetés par les consommateurs, ne peut pas être exclue ni faire partie d'une clause d'exonération.

**Traitement rapide.** Un effort de bonne foi sera fait pour une correction ou autre résolution rapide concernant tout produit qui s'avère défectueux pendant la période de garantie limitée. Pour tous les produits considérés défectueux pendant la période de garantie limitée, commencez par contacter le détaillant auprès duquel le produit a été acheté, par écrit ou téléphone. Le détaillant vous donnera des instructions supplémentaires. S'il n'est pas possible de résoudre le problème de manière satisfaisante, écrivez à Dayton à l'adresse ci-dessous, en indiquant le nom du détaillant, son adresse, la date et le numéro de facture du détaillant et en décrivant la nature du défaut. Le titre et risque de pertes passent à l'acheteur dès la livraison à un transporteur public. Si le produit a été endommagé au cours du transport jusqu'à chez vous, déposez une réclamation auprès du transporteur.

Fabriqué pour Dayton Electric Mfg. Co., 100 Grainger Parkway, Lake Forest, IL 60045 USA





## Pour les pièces de rechange, composez le 1 800 Grainger

24 heures par jour – 365 jours par an

Veillez fournir les informations suivantes  
 -Numéro du modèle  
 -Numéro de série (s'il existe)  
 -Description et numéro de la pièce comme illustré sur la liste des pièces

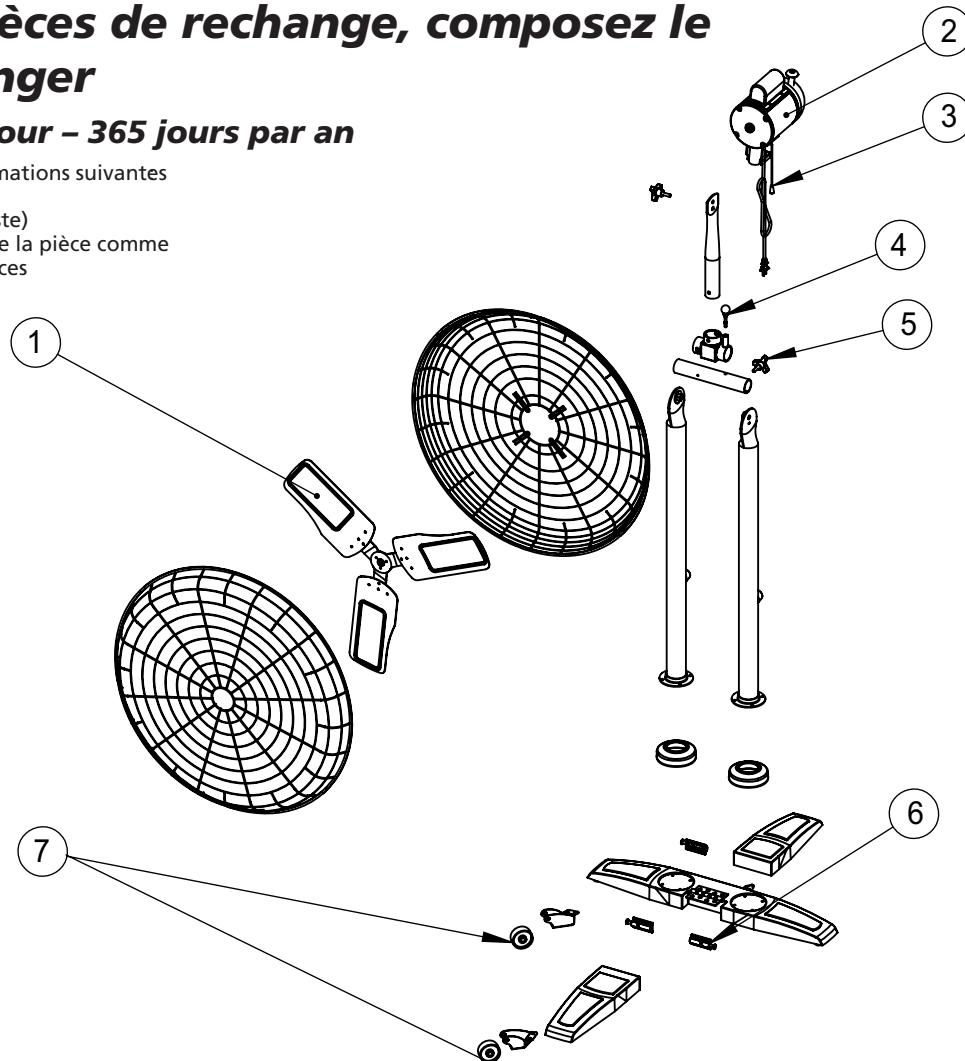


Figure 11 – Illustration des pièces de rechange pour le ventilateur oscillant sur pied repliable

### Liste des pièces de rechange pour le ventilateur oscillant sur pied repliable

Numéro de référence	Description	Numéro de pièce pour les modèles :		Quantité
		22YK15	22YK17	
1	Hélice	VE22YK15PG	VE22YK17PG	1
2	Moteur	VE22YK15MG	VE22YK17MG	1
3	Interrupteur à chaîne	VE22YK15PCSG	VE22YK17PCSG	1
4	Verrou à ressort	VE22YK15SLG	VE22YK17SLG	1
5	Bouton prune	VE22YK15PKG	VE22YK17PKG	1
6	Dispositif de verrouillage	VE22YK15LDG	VE22YK17LDG	1
7	Roue (paire)	VE22YK15WG	VE22YK17WG	1

# Ventilateur oscillant sur pied repliable de Dayton

## Tableau de dépannage

Symptôme	Cause(s) possible(s)	Mesure Corrective
L'appareil ne marche pas	<ol style="list-style-type: none"><li>1. Le cordon d'alimentation n'est pas branché</li><li>2. Fusible sauté ou disjoncteur déclenché</li><li>3. Aucun courant d'alimentation</li><li>4. Moteur défectueux</li></ol>	<ol style="list-style-type: none"><li>1. Branchez dans la prise</li><li>2. Remplacez le fusible ou ré-enclenchez le disjoncteur</li><li>3. Contactez la compagnie d'électricité</li><li>4. Remplacez le moteur</li></ol>
Vibration excessive	<ol style="list-style-type: none"><li>1. Les vis de montage de la grille ne sont pas suffisamment serrées</li><li>2. Déséquilibre de l'hélice en raison de l'accumulation de saleté, etc.</li></ol>	<ol style="list-style-type: none"><li>1. Serrez les écrous avec un couple de 1,69 à 2,25 N.m (15 à 20 po.lb)</li><li>2. Nettoyez l'hélice</li></ol>



