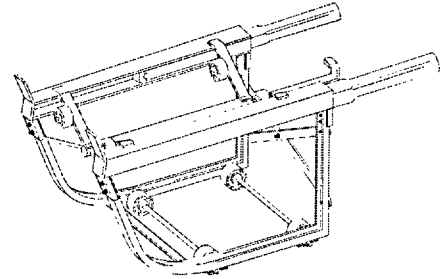


Please read and save these instructions. Read carefully before attempting to assemble, install, operate or maintain the product described. Protect yourself and others by observing all safety information. Failure to comply with instructions could result in personal injury and/or property damage! Retain instructions for future reference.

Dayton® Drum Cradle

Description

Dayton drum cradle is designed for storing, handling and draining 30 and 55 gallon steel drums. Drum cradles allow drums to be tilted from upright position and drained into smaller containers. Once in the horizontal position drums can be rotated on small rollers to properly position the drain. The wood handles slide in for easy storage.



E
N
G
L
I
S
H

Specifications

Maximum Capacity

1000 Lbs. including drum

Unpacking

When unpacking check contents for any damage that may have occurred during transit. Also check for any missing parts against parts list.

General Safety Information

⚠ WARNING *Drum cradle is designed for specific uses. For safe and proper use please follow instructions carefully.*

1. Drum cradles handle 30 and 55 gallon steel drums. See "Operation" section for proper operation of cradles.
2. Only tilt drums that are standing upright on floor. Do **NOT** tilt drums from pallets or dollies.
3. Wheels on cradle help facilitate the movement of cradle into storage location. When moving a loaded unit, move it **slowly**. Do **NOT** move cradle long distances.
4. Do **NOT** roll loaded units down inclines.

Assembly

NOTE: During assembly allow parts to fit loosely.

(See Figure 1, page 3)

1. Bolt cradle side frames (Ref. No. 12) to cradle frame (Ref. No. 6).
2. Bolt cross braces (Ref. No. 11) together. Then bolt to side frames and cradle frame.
3. Bolt bottom cross bar (Ref. No. 9) to side frames.
4. Put wheels (Ref. No. 7) on axles (Ref. No. 8). Then place axles on side frames and secure with axle clamps (Ref. No. 13) and bolts.
5. Store chime hook (Ref. No. 10) in tube at center of cradle frame.
6. **Tighten all bolts only after completing the above steps.**

Operation

1. Approach drum which is standing upright on floor. Do **NOT** tilt drum from pallets or dollies onto cradle.
2. Position cradle vertically next to drum.
3. Place barrel toes at base of drum, and push slightly under drum.
4. Continue to push cradle against drum until roller assembly touches drum. Then place chime hook over drum. To insure proper drainage make sure drain or drum is centered between cradle sides and is facing cradle.
5. Grab extended handles with both hands. Place one foot on lower axle for leverage. Then pull straight back making sure chime hook has a secure hold on drum. Continue pulling until unit and drum are in the horizontal position.

Dayton® Drum Cradle

Operation (Continued)

6. After unit is placed in the desired location, slide handles in for storage.
7. Loaded cradles can be moved, though long distances are not recommended. Only roll loaded cradles on level surfaces. Do **NOT** roll down an incline.

NOTE: Do **NOT** remove handles from unit.

Maintenance

1. Check bolts and nuts often for tightness.
2. Check handles occasionally for any signs of damage or cracking.
3. If damaged, remove from service immediately and repair.

LIMITED WARRANTY

DAYTON ONE-YEAR LIMITED WARRANTY. Dayton® Drum Cradle, Model covered in this manual, is warranted by Dayton Electric Mfg. Co. (Dayton) to the original user against defects in workmanship or materials under normal use for one year after date of purchase. Any part which is determined to be defective in material or workmanship and returned to an authorized service location, as Dayton designates, shipping costs prepaid, will be, as the exclusive remedy, repaired or replaced at Dayton's option. For limited warranty claim procedures, see PROMPT DISPOSITION below. This limited warranty gives purchasers specific legal rights which vary from jurisdiction to jurisdiction.

LIMITATION OF LIABILITY. To the extent allowable under applicable law, Dayton's liability for consequential and incidental damages is expressly disclaimed. Dayton's liability in all events is limited to and shall not exceed the purchase price paid.

WARRANTY DISCLAIMER. Dayton has made a diligent effort to provide product information and illustrate the products in this literature accurately; however, such information and illustrations are for the sole purpose of identification, and do not express or imply a warranty that the products are MERCHANTABLE, or FIT FOR A PARTICULAR PURPOSE, or that the products will necessarily conform to the illustrations or descriptions. Except as provided below, no warranty or affirmation of fact, expressed or implied, other than as stated in the "LIMITED WARRANTY" above is made or authorized by Dayton.

PRODUCT SUITABILITY. Many jurisdictions have codes and regulations governing sales, construction, installation, and/or use of products for certain purposes, which may vary from those in neighboring areas. While Dayton attempts to assure that its products comply with such codes, it cannot guarantee compliance, and cannot be responsible for how the product is installed or used. Before purchase and use of a product, review the product applications, and all applicable national and local codes and regulations, and be sure that the product, installation, and use will comply with them.

Certain aspects of disclaimers are not applicable to consumer products; e.g., (a) some jurisdictions do not allow the exclusion or limitation of incidental or consequential damages, so the above limitation or exclusion may not apply to you; (b) also, some jurisdictions do not allow a limitation on how long an implied warranty lasts, consequently the above limitation may not apply to you; and (c) by law, during the period of this Limited Warranty, any implied warranties of implied merchantability or fitness for a particular purpose applicable to consumer products purchased by consumers, may not be excluded or otherwise disclaimed.

PROMPT DISPOSITION. Dayton will make a good faith effort for prompt correction or other adjustment with respect to any product which proves to be defective within limited warranty. For any product believed to be defective within limited warranty, first write or call dealer from whom the product was purchased. Dealer will give additional directions. If unable to resolve satisfactorily, write to Dayton at address below, giving dealer's name, address, date, and number of dealer's invoice, and describing the nature of the defect. Title and risk of loss pass to buyer on delivery to common carrier. If product was damaged in transit to you, file claim with carrier.

Manufactured for Dayton Electric Mfg. Co., 5959 W. Howard St., Niles, Illinois 60714 U.S.A.

For Repair Parts, call 1-800-323-0620

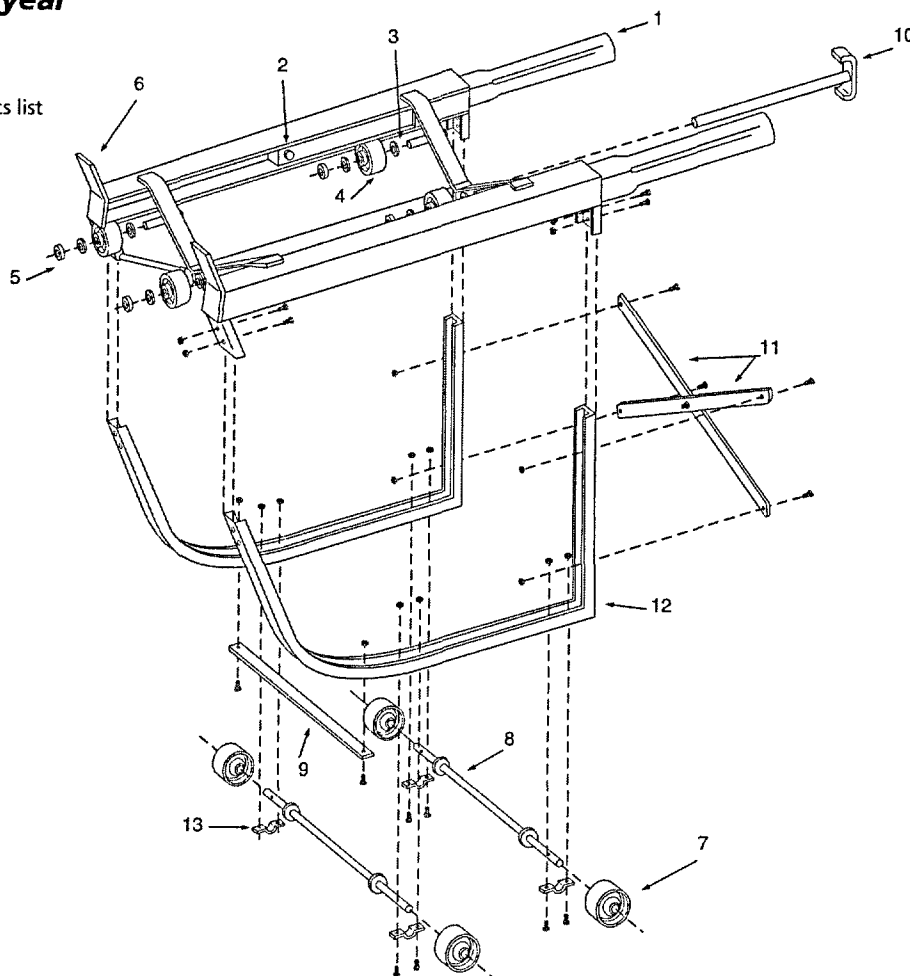
24 hours a day – 365 days a year

Please provide following information:

- Model number
- Serial number (if any)
- Part description and number as shown in parts list

Address parts correspondence to:

Grainger Parts
 P.O. Box 3074
 1657 Shermer Road
 Northbrook, IL 60065-3074 U.S.A.



E
N
G
L
I
S
H

Figure 1 – Repair Parts Illustration for Drum Cradles

Repair Parts List for Drum Cradles

Reference Number	Description	Part Number	Quantity
1	Wood Handle	WH001	2
2	Rivet	RI001	2
3	Washer	WA001	8
4	Roller Wheel	RW001	4
5	Pal Nut	PN001	4
6	Cradle Frame	CF001	1
7	4" Polyolefin Wheel	PW4	4
8	Axle	AX002	2
9	Bottom Cross Bar	BCB002	1
10	Chime Hook	CH001	1
11	Cross Bar	CB002	2
12	Side Frame	SF002	2
13	Axle Clamps	AXC001	4
14	Bagged Hardware	BH003	1

