

Please read and save these instructions. Read carefully before attempting to assemble, install, operate or maintain the product described. Protect yourself and others by observing all safety information. Failure to comply with instructions could result in personal injury and/or property damage! Retain instructions for future reference.

Dayton® Commercial Oscillating Unassembled Air Circulators

Description

Dayton Commercial Duty Unassembled 2-Speed Oscillating Air Circulators are used to provide a high volume of air circulation for both spot and general cooling applications in a clean, dry environment. Low sound levels for commercial applications. Two-piece black powder coated wire guards comply with United States OSHA Standard 1910.212, 1/2" opening requirement. Stamped aluminum 3-blade propeller, 115V, 60 Hz motor for 6AL series and 120V, 60Hz for 13V series, all of them have automatic reset thermal protection. Circulator heads feature locking tilt adjustment. Motors are permanently lubricated. Oscillating Fan head pivot 90° side to side or locked in place.

All circulators are UL and cUL listed and comply with UL507 for stability when used with Dayton Air Circulator Mountings. Choice of adjustable floor pedestal or wall/wall bracket.

Unpacking

1. Inspect carefully for any signs of damage that may have occurred during transit.
2. Shipping damage claim must be filed with carrier.

General Safety Information

NOTE: To comply with UL507, circulator is not to be used in unattended areas.

1. Ensure that the power source conforms to the electrical requirements of the fan.
2. Where a two-prong wall receptacle is encountered, it must be replaced with a properly grounded three-prong receptacle installed in accordance with the United States National Electrical Code (NEC) and all applicable local codes and ordinances. This work must be done by a qualified electrician, using copper wire only.

▲ WARNING *Use of a three-prong to two-prong adapter is not recommended. Improper connection may create the risk of electrocution. Use of such adapters is prohibited in Canada.*

3. Where possible, avoid the use of extension cords. If they must be used, minimize the risk of overheating by ensuring that they are UL Listed and of the proper gauge and length. Never use a single extension cord to operate more than one fan.
4. Do not kink the cord or allow it to contact oil, grease, chemicals, hot surfaces, or sharp or abrasive objects.

▲ WARNING *Do not depend on any switch as the sole means of disconnecting power when installing or servicing the fan. Failure to do so may result in fatal electrical shock.*

5. This fan is to be operated ONLY with its OSHA compliant guards in place to prevent persons and/or objects from contacting the revolving propeller. Any other use voids warranty and may create unsafe conditions.

▲ WARNING *Do not insert fingers or foreign objects into the fan. Do not block or tamper with the fan in any manner while it is in operation.*



Figure 1 – Wall Mounted Circulator



Figure 2 – Pedestal Mounted Circulator

▲ WARNING *Do not touch motor. May be hot enough to cause injury.*

6. Fan is intended for general air circulation ONLY. It must NOT be used in potentially dangerous locations such as flammable, explosive, chemical-laden, or wet atmospheres. Do not use fan in or near a window, since rain may create an electrical hazard. Do not attach ductwork to the fan.

▲ WARNING *Unplug prior to servicing unit.*

7. Fan motor is equipped with an automatically resetting thermal protector that will disconnect power if the motor overheats. Always unplug fan before removing guard, as motor may restart unexpectedly.

Dayton® Commercial Oscillating Unassembled Air Circulators

General Safety Information (Continued)

8. In cases in which property damage may result from malfunction of the fan, a suitable alarm (air switch, temperature sensor, etc.) should be used.
9. Do not operate any fan with a damaged cord or plug. Discard fan or return to an authorized service facility for examination and/or repair.
10. Do not run cord under carpeting. Do not cover cord with throw rugs, runners, or similar coverings. Do not route cord under furniture or appliances. Arrange cord away from traffic area and where it will not be tripping over.

⚠ WARNING To reduce the risk of fire or electric shock, do not use this fan with any speed control device.

Assembly

CIRCULATOR HEAD

1. Remove the circulator head parts from the box.
2. Place the motor on a flat level surface with the motor shaft facing up.
3. Secure the rear guard to the motor using the four nuts and washers provided. Apply 32-40 in. lbs. of torque to motor mount nuts.
4. Secure propeller on the flat of the motor shaft with the supplied bolt. When attaching the propeller, the bolt should be facing the motor. Apply 90-120 in. lbs. torque to propeller bolt.
5. Place front guard on rear guard with decal facing away from propeller. Position guard hooks between ribs of rear guard. Use a large screw driver to pry guard hooks into place. When

assembled, the guard hooks should be located between the largest, outermost ring and the second outermost ring. Make sure that all hooks are engaged before operating fan.

6. Verify that propeller does not contact the guard set at any point before connecting fan to power supply.

Installation

FAN WITH PEDESTAL BASE

(Refer to Figures 3)

1. Remove the base and column assembly (which includes upper column, lower column and spring) from the box.
2. Ensure that the base weight is securely assembled to the base. Secure the column assembly onto the base using the five bolts and washers provided. Apply 35-45 in. lbs. of torque.
3. Adjust column to desired height and lock in position by tightening triangle knob in collar.

IMPORTANT: Do not over-tighten!

4. Place assembled circulator face down on a flat surface.
5. Tip pedestal assembly over, placing flattened column end in motor yoke.
6. Insert the hexagonal bolt through the column end and the hole in the motor bracket and finger-tighten the mounting nut and washer. And then insert the mounting bolt through column end and motor adjustment slot and finger-tighten mounting nut and washer.
7. Stand entire unit upright by lifting at the motor end of the column. Adjust circulator angle to desired position and tighten larger bolt to 200-230 in. lbs. and smaller bolt to 150-160 in. lbs.

8. Place assembled pedestal and fan on a flat, level surface. Do not place the cord under the pedestal base. Locate assembly where cord will not be a tripping hazard.
9. Insert the plug into a properly grounded three-prong receptacle or GFCI if codes requires. The unit is now ready for operation.

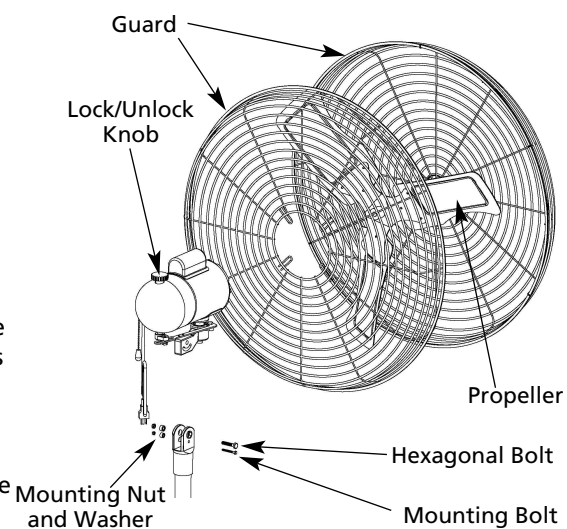


Figure 3 - Pedestal Assembly

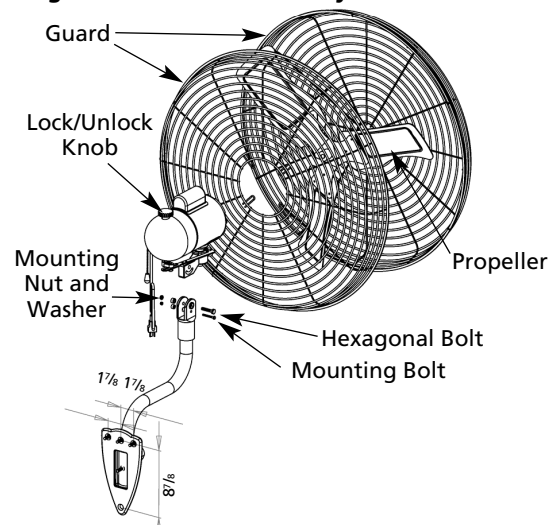


Figure 4 - Wall Mounted Assembly

Models 6ALE8, 6ALE9, 6ALF0, 6ALF1, 13V398, 13V399, 13V401 and 13V402

Installation (Continued)

NOTE: This pedestal assembly meets UL stability requirements with the enclosed Dayton Air Circulator Models.

NOTE: Use only the mounting hardware which is recommended for use with Dayton Air Circulators.

NOTE: Please pull the knob to Lock and push back to unlock knob for turn ON/OFF the oscillation for 13V398, 13V399, 13V401 and 13V402. The other SKUs are lock/unlock by turning CW/CCW.

FAN WITH WALL BRACKET

(Refer to Figures 4.)

1. The wall bracket should be assembled with the J tube and joint as shown in the appropriate illustration. The wall bracket has Four holes; be sure wall bracket mount adequately as shown in the illustration.

2. Locate the wall stud nearest the desired fan location. Attach the bracket to the stud using supplied hardware or appropriately sized bolts and nuts if attaching to I-beams.

NOTE: Always install the bracket to a minimum of 2 x 4 studding.

3. Insert the hexagonal bolt through the column end and the hole in the motor bracket and finger-tighten the mounting nut and washer. And then insert the mounting bolt through column end and motor adjustment slot and finger-tighten mounting nut and washer.

4. Tighten larger bolt to 200-230 in. lbs. and smaller bolt to 150-160 in. lbs., being careful to maintain the desired position.

5. Plug the power cord into a properly grounded three-prong receptacle or GFCI if code requires.

⚠ WARNING

Unplug prior to servicing unit.

To avoid personal injury, circulators must be supported anytime angle is adjusted.

NOTE: This wall bracket meets UL static load requirements with the following Dayton Air Circulator Models:

6ALF0, 6ALF1, 13V401 and 13V402.

Operation

Units are operated, or speeds are selected using pull chain switch located on back of motor.

To avoid the possibility of overturning the fan, operate on a stable, level surface. Do not move fan while it is in operation.

Maintenance

⚠ WARNING

Parts replacement and troubleshooting to be performed only by qualified personnel.

⚠ WARNING

Do not depend on any switch as the sole means of disconnecting power when installing or servicing the fan. Failure to do so may result in fatal electrical shock.

⚠ CAUTION

Do not use gasoline, benzene, thinner, harsh cleaners, etc., which are dangerous and will damage the air circulator.

⚠ WARNING

Unplug unit before servicing or cleaning.

CLEANING

The propeller, guard, and motor should be cleaned periodically to prevent overheating, and/or operating in an imbalanced condition.

If cleaning requires the removal of a guard, remove only the front guard and re-install when finished in its originally installed position. Do not repair propeller if it becomes damaged. The propeller is accurately balanced at the factory and should be replaced if damaged.

Motor is permanently lubricated.

For Repair Parts, call 1-800-323-0620

24 hours a day – 365 days a year

Please provide following information:

- Model number
- Serial number (if any)
- Part description and number as shown in parts list

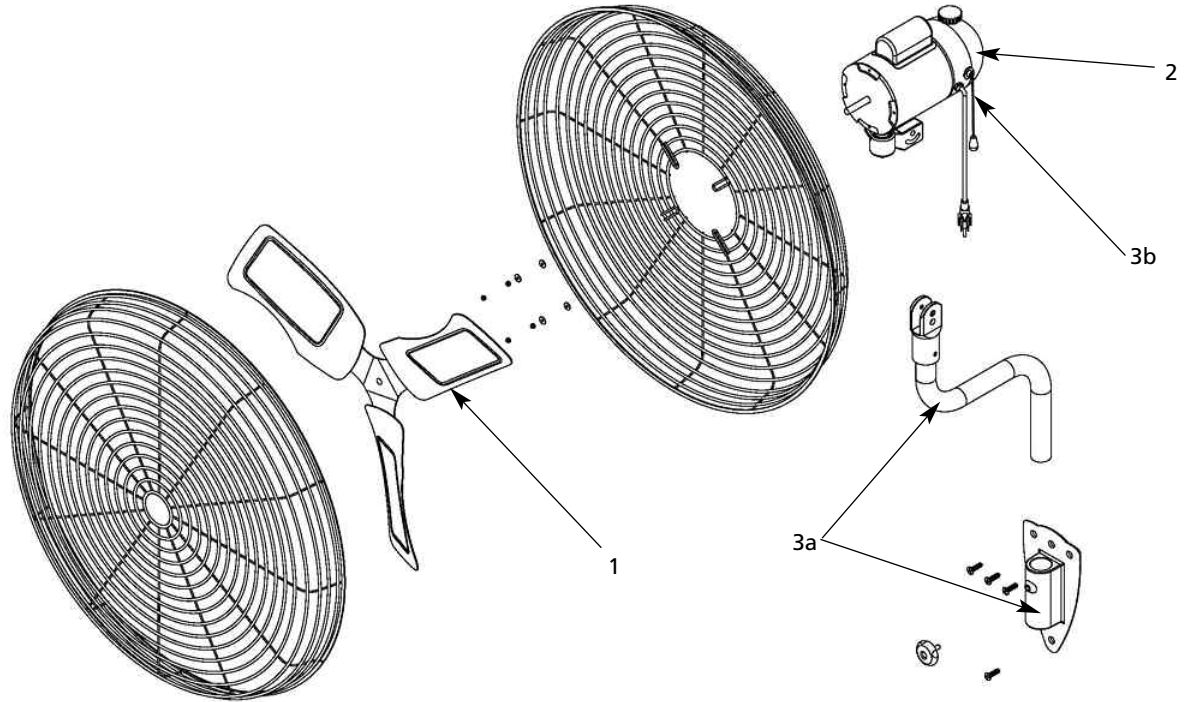


Figure 5 – Repair Parts Illustration for Commercial Oscillating Air Circulators

Repair Parts List for Commercial Oscillating Pedestal Air Circulators

Reference Number	Description	Part Number for Models:				Quantity
		6ALE8	6ALE9	13V398	13V399	
1	Propeller	VEOSCP24F001G	VEOSCP30F002G	VEHVP18A300G	VEHVP20E300G	1
2	Motor assembly	4C354	5C040	VEPSC127635QG	VEPSC127635QG	1
3b	Pull Chain Switch	*	*	VE3089RG	VE3089RG	1

Repair Parts List for Commercial Oscillating Wall Hung Air Circulators

Reference Number	Description	Part Number for Models:				Quantity
		6ALF0	6ALF1	13V401	13V402	
1	Propeller	VEOSCP24F001G	VEOSCP30F002G	VEHVP18A300G	VEHVP20E300G	1
2	Motor assembly	4C354	5C040	VEPSC127635QG	VEPSC127635QG	1
3a	Wall Bracket	VEOSCP30F001G	VEOSCP30F001G	VEOSCP30F001G	VEOSCP30F001G	1
3b	Pull Chain Switch	*	*	VE3089RG	VE3089RG	1

(*) Parts Listed without model are not offered.

E
N
G
L
I
S
H

Dayton® Commercial Oscillating Unassembled Air Circulators

Troubleshooting Chart

Symptom	Possible Cause(s)	Corrective Action
Unit fails to operate	<ol style="list-style-type: none"> 1. Power cord not plugged in 2. Blown fuse or open circuit breaker 3. No power 4. Defective motor 	<ol style="list-style-type: none"> 1. Plug into outlet 2. Replace fuse or reset circuit breaker 3. Contact power company 4. Replace unit; motor is not field serviceable
Excessive vibration	<ol style="list-style-type: none"> 1. Nuts mounting motor to rear guard are torqued insufficiently 2. Propeller imbalance due to accumulation of dirt, etc. 	<ol style="list-style-type: none"> 1. Torque the nuts to 35-40 in. lbs. 2. Clean propeller

LIMITED WARRANTY

DAYTON ONE-YEAR LIMITED WARRANTY. DAYTON® COMMERCIAL DUTY UNASSEMBLED AIR CIRCULATORS, MODELS COVERED IN THIS MANUAL, ARE WARRANTED BY DAYTON ELECTRIC MFG. CO. (DAYTON) TO THE ORIGINAL USER AGAINST DEFECTS IN WORKMANSHIP OR MATERIALS UNDER NORMAL USE FOR ONE YEAR AFTER DATE OF PURCHASE. ANY PART WHICH IS DETERMINED TO BE DEFECTIVE IN MATERIAL OR WORKMANSHIP AND RETURNED TO AN AUTHORIZED SERVICE LOCATION, AS DAYTON DESIGNATES, SHIPPING COSTS PREPAID, WILL BE, AS THE EXCLUSIVE REMEDY, REPAIRED OR REPLACED AT DAYTON'S OPTION. FOR LIMITED WARRANTY CLAIM PROCEDURES, SEE "PROMPT DISPOSITION" BELOW. THIS LIMITED WARRANTY GIVES PURCHASERS SPECIFIC LEGAL RIGHTS WHICH VARY FROM JURISDICTION TO JURISDICTION.

LIMITATION OF LIABILITY. TO THE EXTENT ALLOWABLE UNDER APPLICABLE LAW, DAYTON'S LIABILITY FOR CONSEQUENTIAL AND INCIDENTAL DAMAGES IS EXPRESSLY DISCLAIMED. DAYTON'S LIABILITY IN ALL EVENTS IS LIMITED TO AND SHALL NOT EXCEED THE PURCHASE PRICE PAID.

WARRANTY DISCLAIMER. A DILIGENT EFFORT HAS BEEN MADE TO PROVIDE PRODUCT INFORMATION AND ILLUSTRATE THE PRODUCTS IN THIS LITERATURE ACCURATELY; HOWEVER, SUCH INFORMATION AND ILLUSTRATIONS ARE FOR THE SOLE PURPOSE OF IDENTIFICATION, AND DO NOT EXPRESS OR IMPLY A WARRANTY THAT THE PRODUCTS ARE MERCHANTABLE, OR FIT FOR A PARTICULAR PURPOSE, OR THAT THE PRODUCTS WILL NECESSARILY CONFORM TO THE ILLUSTRATIONS OR DESCRIPTIONS. EXCEPT AS PROVIDED BELOW, NO WARRANTY OR AFFIRMATION OF FACT, EXPRESSED OR IMPLIED, OTHER THAN AS STATED IN THE "LIMITED WARRANTY" ABOVE IS MADE OR AUTHORIZED BY DAYTON.

Technical Advice and Recommendations, Disclaimer. Notwithstanding any past practice or dealings or trade custom, sales shall not include the furnishing of technical advice or assistance or system design. Dayton assumes no obligations or liability on account of any unauthorized recommendations, opinions or advice as to the choice, installation or use of products.

Product Suitability. Many jurisdictions have codes and regulations governing sales, construction, installation, and/or use of products for certain purposes, which may vary from those in neighboring areas. While attempts are made to assure that Dayton products comply with such codes, Dayton cannot guarantee compliance, and cannot be responsible for how the product is installed or used. Before purchase and use of a product, review the product applications, and all applicable national and local codes and regulations, and be sure that the product, installation, and use will comply with them.

Certain aspects of disclaimers are not applicable to consumer products; e.g., (a) some jurisdictions do not allow the exclusion or limitation of incidental or consequential damages, so the above limitation or exclusion may not apply to you; (b) also, some jurisdictions do not allow a limitation on how long an implied warranty lasts, consequently the above limitation may not apply to you; and (c) by law, during the period of this Limited Warranty, any implied warranties of implied merchantability or fitness for a particular purpose applicable to consumer products purchased by consumers, may not be excluded or otherwise disclaimed.

Prompt Disposition. A good faith effort will be made for prompt correction or other adjustment with respect to any product which proves to be defective within limited warranty. For any product believed to be defective within limited warranty, first write or call dealer from whom the product was purchased. Dealer will give additional directions. If unable to resolve satisfactorily, write to Dayton at address below, giving dealer's name, address, date, and number of dealer's invoice, and describing the nature of the defect. Title and risk of loss pass to buyer on delivery to common carrier. If product was damaged in transit to you, file claim with carrier.

Manufactured for Dayton Electric Mfg. Co., 100 Grainger Parkway, Lake Forest, IL 60045 U.S.A.



Por favor lea y guarde estas instrucciones. Léalas cuidadosamente antes de tratar de montar, instalar, operar o dar mantenimiento al producto aquí descrito. Protéjase usted mismo y a los demás observando toda la información de seguridad. ¡El no cumplir con las instrucciones puede ocasionar daños, tanto personales como a la propiedad! Guarde estas instrucciones para referencia en el futuro.

Circuladores de Aire Desensamblados Oscilante para Uso Comercial Dayton®

Descripción

Los Aire Oscilantes Circuladores de 2 velocidades desmontados de Dayton Comercial Servicio se utilizan para proporcionar un volumen alto de la circulación de aire para la mancha y aplicaciones generales de refrigeración en un ambiente limpio y seco. El nivel bajo de los ruidos para las aplicaciones comerciales. Dos piezas negras de rejillas de polvo cubierto cumplen con las Normas OSHA 1910.212, 1/2" requisitos de apertura. 3- palas hélices de aluminio estampado, el motor de serie 6AL 115V, 60Hz y de serie 13V 120V, 60Hz, todos ellos tiene reposición automática de la protección térmica. Las cabezas del circulador caracterizan el ajuste del bloqueo de inclinación. Los motores están lubricados permanentemente. La cabeza del ventilador oscilante del pivote de 90 grados lado al lado o bloqueado en su lugar. Todos los termostatos son UL y cUL listados y cumplen con UL507 para la estabilidad cuando se utiliza con Dayton Montajes de Circulación de Aire. Opción del soporte del suelo ajustable o pared/pared soporte.



Figura 1 – Circulador Montado en Pared



Figura 2 – Circulador Montado en Pedestal

Desempaque

1. Inspeccione el producto cuidadosamente para verificar si se han producido daños durante el transporte.
2. Si han ocurrido daños durante el envío, se deberá presentar un reclamo a la compañía de transporte.

Información de Seguridad General

AVISO: Para cumplir con UL507, el circulador no debe utilizarse en áreas no supervisadas.

1. Asegúrese que la fuente de alimentación satisfaga los requisitos eléctricos del ventilador.
2. Si se cuenta únicamente con un tomacorriente para dos puntas, éste deberá ser reemplazado con un tomacorriente para tres puntas debidamente conectado a tierra e instalado de acuerdo con el Código Eléctrico Nacional, y los códigos y regulaciones locales. Este trabajo debe ser realizado por un electricista calificado, usando conductores de cobre únicamente.

⚠ ADVERTENCIA

No se recomienda el uso de un adaptador de tres puntas para dos puntas. Toda conexión inadecuada puede crear un riesgo de electrocución. En Canadá, no se permite el uso de tales adaptadores.

3. Donde sea posible, evite usar cables de extensión. Si es necesario usarlos, asegúrese que tengan la clasificación UL, el calibre adecuado y la longitud adecuada para minimizar el riesgo de sobrecalentamiento. Nunca use un solo cable de extensión para operar más de un ventilador.

4. No retuerza el cable ni permita que éste entre en contacto con aceite, grasa, productos químicos, superficies calientes u objetos filudos o abrasivos.

⚠ ADVERTENCIA

No dependa de un interruptor como único medio de desconectar la alimentación eléctrica cuando instale o le dé servicio al ventilador. Si no lo hace, podría sufrir un choque eléctrico fatal.

⚠ ADVERTENCIA

No inserte sus dedos ni objetos extraños en el ventilador. No bloquee ni altere el ventilador en forma alguna mientras está funcionando.

⚠ ADVERTENCIA

No toque el motor. Podría estar suficientemente caliente para causar lesiones.

Circuladores de Aire Desensamblados Oscilante para Uso Comercial Dayton®

Información de Seguridad General (Continuación)

6. El ventilador está diseñado **UNICAMENTE** para la circulación general del aire. **NO** debe utilizarse en lugares posiblemente peligrosos, tales como áreas donde haya productos inflamables, explosivos o químicos o en ambientes húmedos. No use el ventilador en o cerca de una ventana, ya que la lluvia podría crear un peligro eléctrico. No conecte conductos en el ventilador.

⚠ ADVERTENCIA *Desenchúfelo antes de darle servicio a la unidad.*

7. El motor del ventilador está equipado con un protector térmico de restablecimiento automático que desconectará la alimentación eléctrica si el motor se sobrecalienta. Siempre desenchufe el ventilador antes de quitarle la rejilla ya que el motor podría arrancar inesperadamente.
8. En los casos donde podrían ocurrir daños a la propiedad debido a un mal funcionamiento del ventilador, se debe utilizar una alarma adecuada (interruptor de aire, sensor de temperatura, etc.).
9. No opere ningún aparato con un cable o enchufe dañado. Deseche el ventilador o el retorno a un centro de servicio autorizado para su revisión y / o reparación.
10. No coloque el cable debajo de alfombras. No cubra el cable con alfombras, tapetes o cubiertas similares. No la use en la ruta debajo de los muebles o electrodomésticos. Coloque el cable lejos de zonas transitadas y donde no se tropiece con él.

⚠ ADVERTENCIA *Para reducir el riesgo de incendio o choque eléctrico, no utilice este ventilador con dispositivos de control de velocidad.*

Montaje

CABEZAL DEL CIRCULADOR

1. Retire las partes del cabezal del circulador de la caja.
2. Coloque el motor sobre una superficie plana y nivelada con el eje del motor orientado hacia arriba.
3. Asegure la rejilla posterior al motor utilizando las cuatro tuercas y arandelas suministradas. Aplique un par de torsión de 3.62 a 4.52 Nm a las tuercas de montaje del motor.
4. Asegúrese la hélice sobre la superficie plana del eje del motor con el perno suministrado. Cuando fije la hélice, el perno deberá quedar orientado hacia el motor. Aplique un par de torsión de 10.17 a 13.56 Nm al perno de la hélice.
5. Coloque la rejilla frontal sobre la rejilla posterior con la calcomanía orientada hacia el lado opuesto de la hélice. Coloque los ganchos de las rejillas entre las varillas de la rejilla posterior. Utilice un destornillador grande para apalancar los ganchos de las rejillas en su posición. Cuando están instalados, los ganchos de las rejillas deberán ubicarse entre el anillo extremo de mayor tamaño y el segundo anillo extremo. Asegúrese que todos los ganchos estén enganchados antes de hacer funcionar el ventilador.
6. Antes de conectar el ventilador a la fuente de alimentación, verifique que la hélice no entre en contacto con el conjunto de rejilla en ningún punto.

Instalación

VENTILADOR CON PEDESTAL

1. Extraiga el conjunto de la columna y la base (que incluye la columna superior, la columna inferior y el resorte) de la caja.
2. Asegúrese que la pesa de la base esté firmemente instalada en la base. Asegure el conjunto de la columna sobre la base utilizando los cinco pernos y arandelas suministrados.

Aplique un par de torsión de 3.95 a 5.08 Nm.

3. Ajuste la columna a la altura deseada y bloquéela en su posición apretando la perilla triangular en el collar.

IMPORTANTE: ¡No lo apriete demasiado!

4. Coloque el circulador ensamblado boca abajo sobre una superficie plana.
5. Inclíne el conjunto del pedestal, colocando el extremo plano de la columna en el arnés del motor.
6. Inserte el perno hexagonal final a través de la columna y el agujero en el soporte del motor y el dedo a apretar la tuerca de montaje y la arandela. Y a continuación, inserte el perno de montaje a través del extremo de la columna y ranura de ajuste del motor y el dedo a apretar la tuerca de montaje y la arandela.
7. Coloque la unidad completa sobre el piso levantándola por el extremo del motor de la columna. Ajuste el ángulo del circulador a la posición deseada y apriete el perno de mayor diámetro a un par de torsión de 22.60 a 25.99 Nm, y el perno de menor diámetro a un par de torsión de 16.95 a 18.08 Nm.

8. Coloque el ventilador y pedestal ensamblado sobre una superficie plana y nivelada. No coloque el cordón debajo del pedestal. Coloque el conjunto donde el cordón no pueda ocasionar riesgos de tropiezos.
9. Inserte el enchufe en un tomacorriente para tres puntas debidamente conectado a tierra o GFCI si el código así lo requiere. Ya la unidad está lista para funcionar.

AVISO: Este conjunto de pedestal satisface los requisitos de estabilidad de UL con los Modelos de circulador de aire Dayton cerrados.

AVISO: Utilice únicamente el herraje de montaje que se recomienda usar con los Circuladores de aire Dayton.

Modelos 6ALE8, 6ALE9, 6ALF0, 6ALF1, 13V398, 13V399, 13V401 y 13V402

Instalación (Continuación)

VENTILADOR CON SOPORTE PARA PARED/TECHO

(Consulte las Figuras 3 y 4.)

1. El soporte de la pared tiene que montarse con el tubo J y la junta como la muestra en la ilustración aproximada. La pared de soporte tiene cuatro agujeros, asegurándose de que el soporte de la pared se monta de forma adecuada como se muestra en la ilustración.

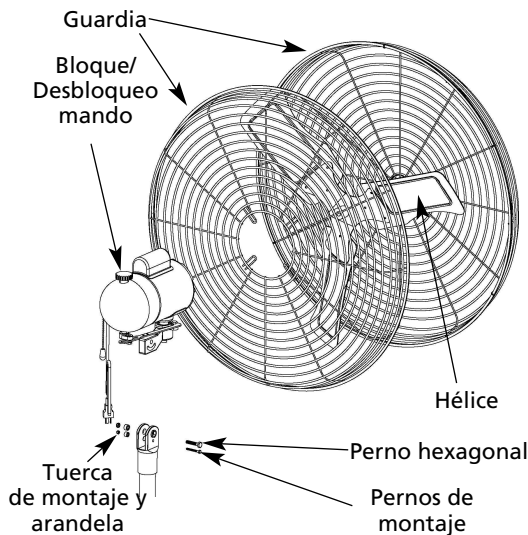


Figura 3 – Conjunto Montado en Pared

2. Localice el montante de pared o techo más cercano a la posición donde desea instalar el ventilador. Fije el soporte al montante utilizando el herraje suministrado o pernos y tuercas del tamaño correcto si se fijará a una viga I.

AVISO: Instale siempre el soporte a un madero corto tamaño 2 x 4 como mínimo.

3. Inserte el perno hexagonal final a través de la columna y el agujero en el soporte del motor y el dedo a apretar la tuerca de montaje y la arandela. Y a continuación, inserte el perno de montaje a través del extremo de la columna y ranura de ajuste del motor y el dedo a apretar la tuerca de montaje y la arandela.
4. Apriete el perno de mayor diámetro a un par de torsión de 22.60 a 25.99 Nm, y el perno de menor diámetro a un par de torsión de 16.95 a 18.08 Nm, teniendo cuidado de mantener la posición deseada.
5. Enchufe el cordón de alimentación en un tomacorriente para tres puntas debidamente conectado a tierra o GFCI si el código así lo requiere.

ADVERTENCIA Desenchúfelo antes de darle servicio a la unidad.

Para evitar lesiones personales, los circuladores deben apoyarse siempre que se ajuste el ángulo.

AVISO: Este soporte para pared o techo satisface los requisitos de carga estática de UL en los siguientes Modelos de circulador de aire Dayton: 1RWB4A, 2LY99A, 2MA10A y 6ALE7.

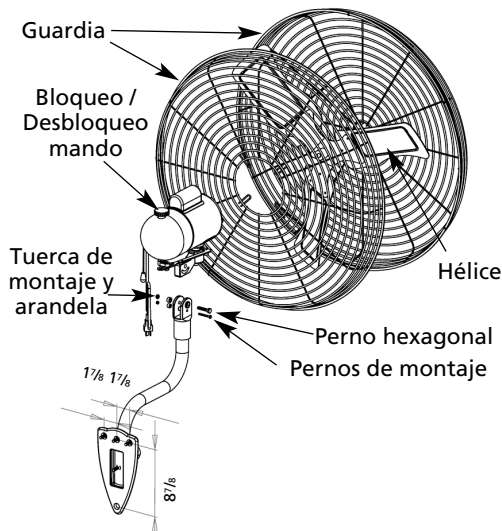


Figura 4 – Conjunto Montado en Techo

Operación

Las unidades funcionan, o las velocidades se seleccionan utilizando el interruptor de cordón ubicado en la parte posterior del motor.

Para evitar la posibilidad de que el ventilador se volquee, hágalo funcionar sobre una superficie estable y nivelada. No mueva el ventilador mientras esté funcionando.

Mantenimiento

ADVERTENCIA Todo reemplazo de partes y toda identificación y solución de problemas deberán ser realizados únicamente por personal calificado.

ADVERTENCIA No dependa de un interruptor como único medio de desconectar la alimentación eléctrica cuando instale o le dé servicio al ventilador. Si no lo hace, podría sufrir un choque eléctrico fatal.

PRECAUCION No utilice gasolina, benceno, diluyente, limpiadores duros, etc., ya que son peligrosos y le ocasionarán daños al circulador de aire.

ADVERTENCIA Desenchufe la unidad antes de limpiarla o darle servicio.

LIMPIEZA

La hélice, la rejilla y el motor se deben limpiar periódicamente para evitar el sobrecalentamiento, y/o el funcionamiento en condición desequilibrada.

Si la limpieza requiere la remoción de una rejilla, remueva sólo la protección frontal y vuelva a instalarla en la posición original cuando termine de limpiar. No repare la hélice si se daña. La hélice se equilibra en forma precisa en la fábrica y se debe reemplazar si se daña.

El motor está permanentemente lubricado.

Para Obtener Partes de Reparación en México Llame al 001-800-527-2331 en EE.UU. Llame al 1-800-323-0620

Servicio permanente – 24 horas al día al año

Por favor proporciónenos la siguiente información:

- Número de modelo
- Número de serie (si lo tiene)
- Descripción de la parte y número que le corresponde en la lista de partes

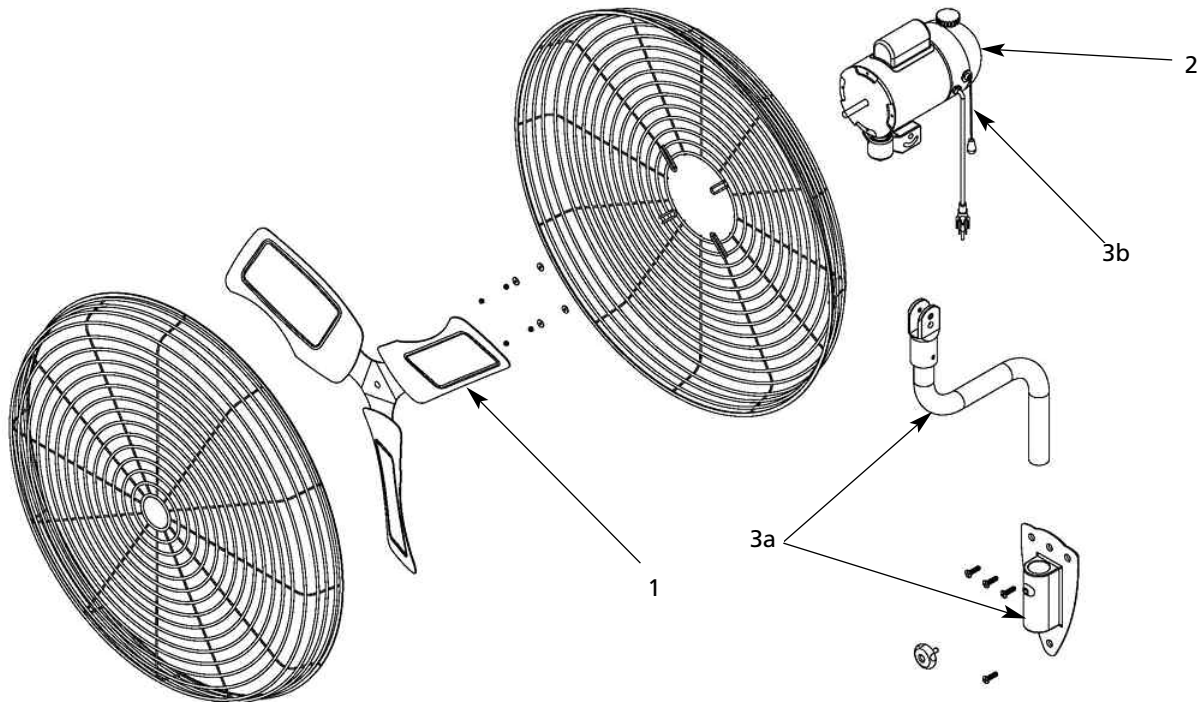


Figura 5 – Ilustración de las Partes de Reparación para los Circuladores de Aire Oscilante para Uso Comercial

Lista de Partes de Reparación para los Circuladotes de Aire Oscilante para Uso Comercial

Número de Referencia	Descripción	Número de Parte para Modelos:				Cantidad
		6ALE8	6ALE9	13V398	13V399	
1	Hélice	VEOSCP24F001G	VEOSCP30F002G	VEHVP18A300G	VEHVP20E300G	1
2	Conjunto del motor	4C354	5C040	VEPSC127635QG	VEPSC127635QG	1
3b	interruptor/ de cordón	*	*	VE3089RG	VE3089RG	1

Lista de Partes de Reparación para los Circuladotes de Aire Oscilante para Uso Comercial

Número de Referencia	Descripción	Número de Parte para Modelos:				Cantidad
		6ALF0	6ALF1	13V401	13V402	
1	Hélice	VEOSCP24F001G	VEOSCP30F002G	VEHVP18A300G	VEHVP20E300G	1
2	Conjunto del motor	4C354	5C040	VEPSC127635QG	VEPSC127635QG	1
3a	Soporte para pared/techo	VEOSCP30F001G	VEOSCP30F001G	VEOSCP30F001G	VEOSCP30F001G	1
3b	Interrupteur/ à tirette de la chaîne	*	*	VE3089RG	VE3089RG	1

(*). Partes de la lista sin el modelo no se ofrecen.

Circuladores de Aire Desensamblados para Uso Comercial Dayton®

Tabla de Identificación de Problemas

Síntoma	Causa(s) Posible(s)	Medida Correctiva
La unidad no funciona	<ol style="list-style-type: none"> 1. El cordón de alimentación no está enchufado en el tomacorriente 2. Fusible o cortacircuitos abierto o quemado 3. No hay alimentación 4. Motor defectuoso 	<ol style="list-style-type: none"> 1. Enchúfelo en el tomacorriente 2. Reemplace el fusible o reinicie el cortacircuitos 3. Comuníquese con la empresa de energía eléctrica 4. Reemplace la unidad; al motor no se le puede hacer servicio en campo
Vibración excesiva	<ol style="list-style-type: none"> 1. Las tuercas que montan el motor a la rejilla posterior no están suficientemente apretadas 2. Hélice desequilibrada debido a acumulaciones de suciedad, etc. 	<ol style="list-style-type: none"> 1. Apriete las tuercas con un par de torsión de 3.95 a 4.51 Nm 2. Limpie la hélice

GARANTIA LIMITADA

GARANTIA LIMITADA DE DAYTON POR UN AÑO. DAYTON ELECTRIC MFG. CO. (DAYTON) LE GARANTIZA AL USUARIO ORIGINAL QUE LOS MODELOS TRATADOS EN ESTE MANUAL DE LOS CIRCULADORES DE AIRE DESENSAMBLADOS PARA USO COMERCIAL DAYTON® ESTAN LIBRES DE DEFECTOS EN LA MANO DE OBRA O EL MATERIAL, CUANDO SE LES SOMETE A USO NORMAL, POR UN AÑO A PARTIR DE LA FECHA DE COMPRA. CUALQUIER PARTE QUE SE HALLE DEFECTUOSA, YA SEA EN EL MATERIAL O EN LA MANO DE OBRA, Y SEA DEVUELTA (CON LOS COSTOS DE ENVIO PAGADOS POR ADELANTADO) A UN CENTRO DE SERVICIO AUTORIZADO DESIGNADO POR DAYTON, SERA REPARADA O REEMPLAZADA (NO EXISTE OTRA POSIBILIDAD) SEGUN LO DETERMINE DAYTON. PARA OBTENER INFORMACION SOBRE LOS PROCEDIMIENTOS DE RECLAMO CUBIERTOS EN LA GARANTIA LIMITADA, VEA LA SECCION "ATENCION OPORTUNA" QUE APARECE MAS ADELANTE. ESTA GARANTIA LIMITADA CONFIERE AL COMPRADOR DERECHOS LEGALES ESPECIFICOS QUE VARIAN DE JURISDICCION A JURISDICCION.

LIMITES DE RESPONSABILIDAD. EN LA MEDIDA EN QUE LAS LEYES APPLICABLES LO PERMITAN, LA RESPONSABILIDAD DE DAYTON POR LOS DAÑOS EMERGENTES O INCIDENTALES ESTA EXPRESAMENTE EXCLUIDA. LA RESPONSABILIDAD DE DAYTON EXPRESAMENTE ESTA LIMITADA Y NO PUEDE EXCEDER EL PRECIO DE COMPRA PAGADO POR EL ARTICULO.

EXCLUSION DE RESPONSABILIDAD DE LA GARANTIA. SE HAN HECHO ESFUERZOS DILIGENTES PARA PROPORCIONAR INFORMACION E ILUSTRACIONES APROPIADAS SOBRE EL PRODUCTO EN ESTE MANUAL; SIN EMBARGO, ESTA INFORMACION Y LAS ILUSTRACIONES TIENEN COMO UNICO PROPOSITO LA IDENTIFICACION DEL PRODUCTO Y NO EXPRESAN NI IMPLICAN GARANTIA DE QUE LOS PRODUCTOS SEAN VENDIBLES O ADECUADOS PARA UN PROPOSITO EN PARTICULAR NI QUE SE AJUSTAN NECESARIAMENTE A LAS ILUSTRACIONES O DESCRIPCIONES. CON EXCEPCION DE LO QUE SE ESTABLECE A CONTINUACION, DAYTON NO HACE NI AUTORIZA NINGUNA GARANTIA O AFIRMACION DE HECHO, EXPRESA O IMPLICITA, QUE NO SEA ESTIPULADA EN LA "GARANTIA LIMITADA" ANTERIOR.

Consejo Técnico y Recomendaciones, Exclusiones de Responsabilidad. A pesar de las prácticas, negociaciones o usos comerciales realizados previamente, las ventas no deberán incluir el suministro de consejo técnico o asistencia o diseño del sistema. Dayton no asume ninguna obligación o responsabilidad por recomendaciones, opiniones o consejos no autorizados sobre la elección, instalación o uso de los productos.

Adaptación del Producto. Muchas jurisdicciones tienen códigos o regulaciones que rigen la venta, la construcción, la instalación y/o el uso de productos para ciertos propósitos que pueden variar con respecto a los aplicables a las zonas vecinas. Si bien se trata de que los productos Dayton cumplan con dichos códigos, no se puede garantizar su conformidad y no se puede hacer responsable por la forma en que se instale o use su producto. Antes de comprar y usar el producto, revise su aplicación y todos los códigos y regulaciones nacionales y locales aplicables y asegúrese de que el producto, la instalación y el uso los cumplan.

Ciertos aspectos de limitación de responsabilidad no se aplican a productos al consumidor; es decir (a) algunas jurisdicciones no permiten la exclusión ni limitación de daños incidentales o consecuentes, de modo que las limitaciones o exclusiones anteriores quizás no apliquen en su caso; (b) asimismo, algunas jurisdicciones no permiten limitar el plazo de una garantía implícita, por lo tanto, la limitación anterior quizás no aplique en su caso; y (c) por ley, mientras la Garantía Limitada esté vigente no podrán excluirse ni limitarse en modo alguno ninguna garantía implícita de comercialización o de idoneidad para un propósito en particular aplicables a los productos al consumidor adquiridos por éste.

Atención Oportuna. Se hará un esfuerzo de buena fe para corregir puntualmente, o hacer otros ajustes, con respecto a cualquier producto que resulte defectuoso dentro de los términos de esta garantía limitada. En el caso de que encuentre un producto defectuoso y que esté cubierto dentro de los límites de esta garantía haga el favor de escribir primero, o llame, al distribuidor a quien le compró el producto. El distribuidor le dará las instrucciones adicionales. Si no puede resolver el problema en forma satisfactoria, escriba a Dayton a la dirección a continuación, dando el nombre del distribuidor, su dirección, la fecha y el número de la factura del distribuidor y describa la naturaleza del defecto. La propiedad del artículo y el riesgo de pérdida pasan al comprador en el momento de la entrega del artículo a la compañía de transporte. Si el producto se daña durante el transporte, debe presentar su reclamo a la compañía transportista.

Fabricado para Dayton Electric Mfg. Co., 100 Grainger Parkway, Lake Forest, IL 60045 EE.UU.

Veillez lire et conserver ces instructions. Lire attentivement avant de commencer à assembler, installer, faire fonctionner ou entretenir l'appareil décrit. Protégez-vous et les autres en observant toutes les informations sur la sécurité. Négliger d'appliquer ces instructions peut résulter en des blessures corporelles et/ou en des dommages matériels ! Conserver ces instructions pour références ultérieures.

Ventilateurs démontés oscillant à usage commercial léger Dayton®

Description

Les ventilateurs à air rotatif à 2 vitesses non assemblés sous la responsabilité commerciale de Dayton sont utilisés pour fournir un grand volume d'air de circulation à la fois aux applications du refroidissement local et général dans un environnement propre et sec. Faible niveau de bruit pour des applications commerciales. Les protections à deux pièces en poudre noire d'enduit du fil est conforme à la norme américaine OSHA 1910.212, à l'exigence d'ouverture à 1/2". L'hélice embouti en aluminium à 3-lames, le moteur 6AL série 115 V, 60 Hz et les séries 13V 120V, 60Hz, a la protection thermique à réarmement automatique. Les têtes du ventilateur fonctionnent par ajustement d'inclinaison de verrouillage. Les moteurs sont lubrifiés en permanence. La tête du ventilateur tourne à 90° d'un côté à l'autre ou fixe sur place. Tous les ventilateurs sont listés UL et cUL et sont conformes à UL507 pour la stabilité lorsqu'ils sont utilisés avec des supports des ventilateurs de Dayton. Choix de piédestal au plancher réglable ou au support du mur / mur support.

Déballage

1. Vérifier soigneusement qu'aucun dommage n'est survenu durant le transport.
2. Toute réclamation pour des dommages pendant le transport doit être soumise au transporteur.

Informations générales sur la sécurité

REMARQUE : Afin de se conformer à UL507, le ventilateur ne peut être utilisé dans une aire sans surveillance.

1. S'assurer que la source d'alimentation est conforme aux exigences électriques du ventilateur.
2. Si une prise murale à deux fentes est présente, elle doit être remplacée par une prise à trois fentes correctement mise à la terre et installée en conformité avec le Code national de l'électricité (CNE) des États-Unis et les codes et règlements locaux en vigueur. Ce travail doit être effectué par un électricien qualifié, en utilisant des fils en cuivre seulement.

AVERTISSEMENT L'utilisation d'un adaptateur de trois fentes à deux fentes n'est pas recommandée. Une connexion

inadéquate peut créer un risque d'électrocution. L'utilisation de tels adaptateurs est interdite au Canada.

3. Dans la mesure du possible, éviter d'utiliser des rallonges électriques. Si elles doivent être utilisées, minimiser les risques de surchauffe en s'assurant qu'elles sont homologuées UL, et qu'elles ont le bon calibre et la bonne longueur. Ne jamais utiliser une seule rallonge électrique pour faire fonctionner plus d'un ventilateur.
4. Ne pas plier le cordon ou le laisser entrer en contact avec de l'huile, de la graisse, des produits chimiques, des surfaces chaudes ou des objets acérés ou abrasifs.

AVERTISSEMENT Ne pas dépendre d'un quelconque interrupteur comme moyen unique de coupure de l'alimentation lors de l'installation ou de l'entretien du ventilateur. Le fait de négliger cette consigne peut entraîner une décharge électrique fatale.

5. Ce ventilateur doit être utilisé SEULEMENT avec la protection approuvée par OSHA pour éviter que des personnes ou des objets n'entrent en contact avec l'hélice qui tourne. Toute autre utilisation annule la



Figure 1 – Ventilateur monté sur un mur



Figure 2 – Ventilateur monté sur socle

garantie et peut créer des conditions dangereuses.

AVERTISSEMENT Ne pas insérer les doigts ou des corps étrangers dans le ventilateur. Ne pas bloquer ou manipuler le ventilateur d'une quelconque manière pendant son fonctionnement.

AVERTISSEMENT Ne pas toucher le moteur. Il peut être suffisamment chaud pour causer des blessures.

6. Le ventilateur est conçu pour la circulation générale de l'air SEULEMENT. Il ne doit PAS être utilisé dans des endroits potentiellement dangereux comme des atmosphères inflammables, explosives, chargées de produits chimiques ou humides. Ne pas utiliser le ventilateur dans ou à

Ventilateurs démontés oscillant à usage commercial léger Dayton®

proximité d'une fenêtre, car la pluie
Informations générales sur la sécurité (suite)

peut créer un risque de choc électrique. Ne pas raccorder de conduit au ventilateur.

AVERTISSEMENT Débrancher avant de réparer l'appareil.

- Le moteur du ventilateur est équipé d'une protection thermique à réenclenchement automatique qui coupe l'alimentation au moteur en cas de surchauffe. Toujours débrancher le ventilateur avant d'enlever la protection, car le moteur peut redémarrer subitement.
- Dans les cas où des dommages à la propriété peuvent survenir suite à une anomalie de fonctionnement du ventilateur, utiliser une alarme qui convient (disjoncteur à l'air libre, capteur de température, etc.).
- Ne pas utiliser un ventilateur avec un cordon ou une fiche endommagé. Jeter ou retourner à un centre de service autorisé pour examen et / ou réparation.
- Ne pas passer le cordon sous un tapis. Ne pas couvrir le cordon avec des tapis ou revêtements similaires. Ne pas le cordon route sous les meubles ou appareils électroménagers. Disposez le cordon loin de la zone de circulation et où il ne sera pas trébucher.

AVERTISSEMENT Afin de réduire les risques de choc électrique, ne pas utiliser ce ventilateur avec une quelconque commande de vitesse.

Montage

TÊTE DE VENTILATEUR

- Retirer de la boîte les pièces de la tête du ventilateur.
- Placer le moteur sur une surface plane et de niveau avec l'arbre moteur faisant face vers le haut.

- Fixer solidement la protection au moteur en utilisant les quatre écrous et rondelles fournis. Appliquer un couple de serrage de 3,62 à 4,52 Nm (32 à 40 po-lb) aux écrous de montage du moteur.
- Fixer solidement l'hélice sur le plat de l'arbre moteur avec le boulon fourni. Lors de la fixation de l'hélice, le boulon doit faire face au moteur. Appliquer un couple de serrage de 10,17 à 13,56 Nm (90 à 120 po-lb) au boulon de l'hélice.
- Placer la protection avant sur la protection arrière avec la décalcomanie à l'opposé de l'hélice. Placer les crochets de la protection entre les nervures de la protection arrière. Utiliser un gros tournevis pour soulever les crochets de la protection afin de les mettre en place. Une fois assemblés, les crochets de la protection doivent être situés entre l'anneau d'extrémité le plus à l'extérieur et le deuxième anneau d'extrémité le plus à l'extérieur. S'assurer que tous les crochets sont engagés avant de faire fonctionner le ventilateur.

- Vérifier que l'hélice n'entre pas en contact avec la protection, en aucun point, avant de brancher le ventilateur à la source d'alimentation électrique.

Installation

VENTILATEUR AVEC SOCLE

- Enlever le socle et la colonne (incluant la colonne supérieure, inférieure et le ressort) de l'emballage.
- S'assurer que le poids du socle est assemblé de façon sécuritaire au socle. Fixer solidement la colonne sur le socle en utilisant les cinq (5) boulons et rondelles fournis. Appliquer un couple de serrage de 3,95 à 5,08 Nm (35 à 45 po-lb).
- Ajuster la colonne à la hauteur

voulue et la verrouiller en position en serrant le bouton à tête triangulaire le collier.

IMPORTANT : Ne pas trop serrer!

- Placer le ventilateur assemblé face vers le bas sur une surface plane.
- Faire basculer le socle en plaçant l'extrémité plate de la colonne dans la fourche du moteur.
- Insérez le boulon hexagonal jusqu'à la fin de colonne et le trou dans le support du moteur et le doigt-serrer l'écrou de fixation et la rondelle. Et puis insérez le boulon de montage jusqu'à la fin de colonne et la fente de réglage du moteur et le doigt-serrer l'écrou de fixation et la rondelle.
- Mettre tout l'appareil debout en le soulevant par l'extrémité moteur de la colonne. Régler l'angle du ventilateur à la position désirée et serrer le gros boulon à un couple de 22,60 à 25,99 Nm (200 à 230 po-lb) et le petit boulon à un couple de 16,95 à 18,08 Nm (150 à 160 po-lb).
- Placer le socle et le ventilateur assemblés sur une surface plane et de niveau. Ne pas placer le cordon sous le socle. Placer l'ensemble à un endroit où le cordon ne posera pas de risque de trébuchement.
- Insérer la fiche dans une prise à trois fentes correctement mise à la terre ou avec disjoncteur de fuite à la terre si le code l'exige. L'appareil est maintenant prêt à être utilisé.

REMARQUE : Ce socle est conforme aux exigences de stabilité UL pour les modèles de ventilateur Dayton inclus.

REMARQUE : N'utiliser que la visserie de montage recommandée pour les ventilateurs Dayton.

Modèles 6ALE8, 6ALE9, 6ALF0, 6ALF1, 13V398, 13V399, 13V401 et 13V402

Installation (suite)

VENTILATEUR MURAL/SUPPORT POUR PLAFOND

(Consulter les Figures 3 et 4.)

1. Le support mural doit être assemblé avec le tube J et relié comme indiqué dans la figure appropriée. Le support mural a quatre trous, est sûr de montage mural de manière adéquate comme indiqué dans la figure.

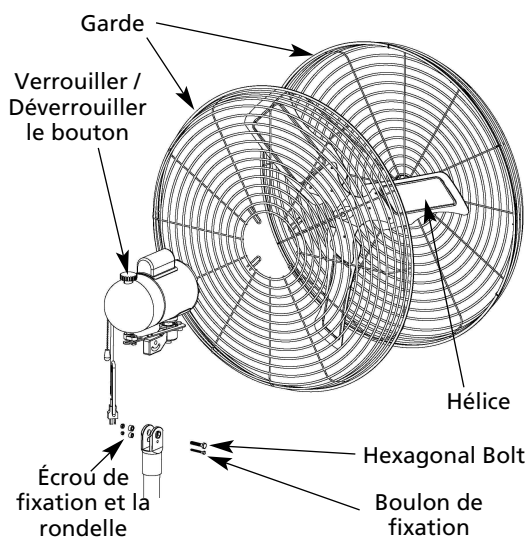


Figure 3 – Montage sur un mur

2. Identifier le mur ou le plafond le plus près de l'emplacement désiré pour le ventilateur. Fixer le support au montant à l'aide de la visserie fournie ou de boulons et d'écrous aux dimensions appropriées si l'on fixe sur une poutre en I.

REMARQUE : Toujours installer le support à un montant d'au moins 2 x 4.

3. Insérez le boulon hexagonal jusqu'à la fin de colonne et le trou dans le support du moteur et le doigt-serrer l'écrou de fixation et la rondelle. Et puis insérez le boulon de montage jusqu'à la fin de colonne et la fente de réglage du moteur et le doigt-serrer l'écrou de fixation et la rondelle.

4. Serrer le plus gros boulon à un couple de 22,60 à 25,99 Nm (200 à 230 po-lb) et le petit boulon à un couple de 16,95 à 18,08 Nm (150 à 160 po-lb) en veillant à maintenir la position voulue.

5. Brancher le cordon d'alimentation dans une prise à trois fentes correctement mise à la terre ou avec disjoncteur de fuite à la terre si le code l'exige.

AVERTISSEMENT Débrancher avant de réparer l'appareil.

Afin d'éviter des blessures, supporter les ventilateurs à chaque réglage de l'angle d'inclinaison.

REMARQUE : Ce support pour mur et plafond est conforme aux exigences de charge statique UL pour les modèles de ventilateurs Dayton suivants : 1RWB4A, 2LY99A, 2MA10A et 6ALE7.

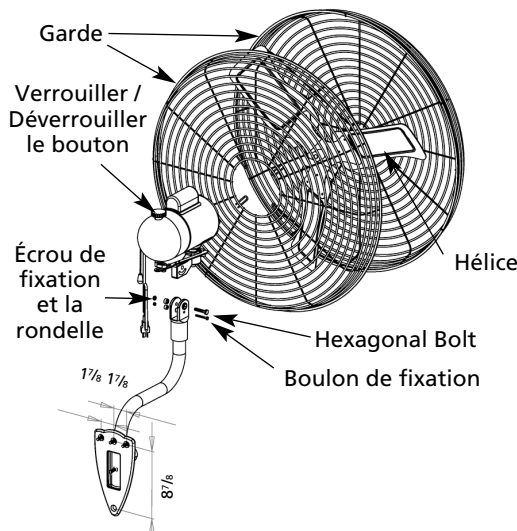


Figure 4 – Montage sur plafond

Fonctionnement

Les appareils sont utilisés ou les vitesses sont sélectionnées à partir de l'interrupteur à tirette situé à l'arrière du moteur.

Pour éviter la possibilité de reverser le ventilateur, l'utiliser sur une surface stable et de niveau. Ne pas déplacer le ventilateur lorsqu'il fonctionne.

Entretien

AVERTISSEMENT Le remplacement des pièces et le dépannage doivent être effectués par du personnel qualifié.

AVERTISSEMENT Ne pas dépendre d'un quelconque interrupteur comme moyen unique de coupure de l'alimentation lors de l'installation ou de l'entretien du ventilateur. Le fait de négliger cette consigne peut entraîner une décharge électrique fatale.

ATTENTION Ne pas utiliser d'essence, de benzène, de diluant, de nettoyants forts, etc. qui présentent un danger et endommageront le ventilateur.

AVERTISSEMENT Débrancher l'appareil avant de le réparer ou de le nettoyer.

NETTOYAGE

Nettoyer l'hélice, la protection et le moteur régulièrement pour éviter une surchauffe et/ou des conditions de fonctionnement déséquilibré.

Si le nettoyage exige le démontage d'une protection, enlever seulement la protection avant et la réinstaller dans sa position d'origine lorsque terminé. Ne pas réparer une hélice qui a subi des dommages. L'hélice est équilibrée avec précision en usine et doit être remplacée si elle subit des dommages. Le moteur est lubrifié en permanence.

FRANÇAIS

**Commandez les pièces détachées en appelant gratuitement
1 800 323-0620**

24 heures par jour – 365 jours par an

S'il vous plaît fournir l'information suivante :

- Numéro de modèle
- Numéro de série (s'il y en a un)
- Description de la pièce et son numéro
comme montré sur la liste de pièces

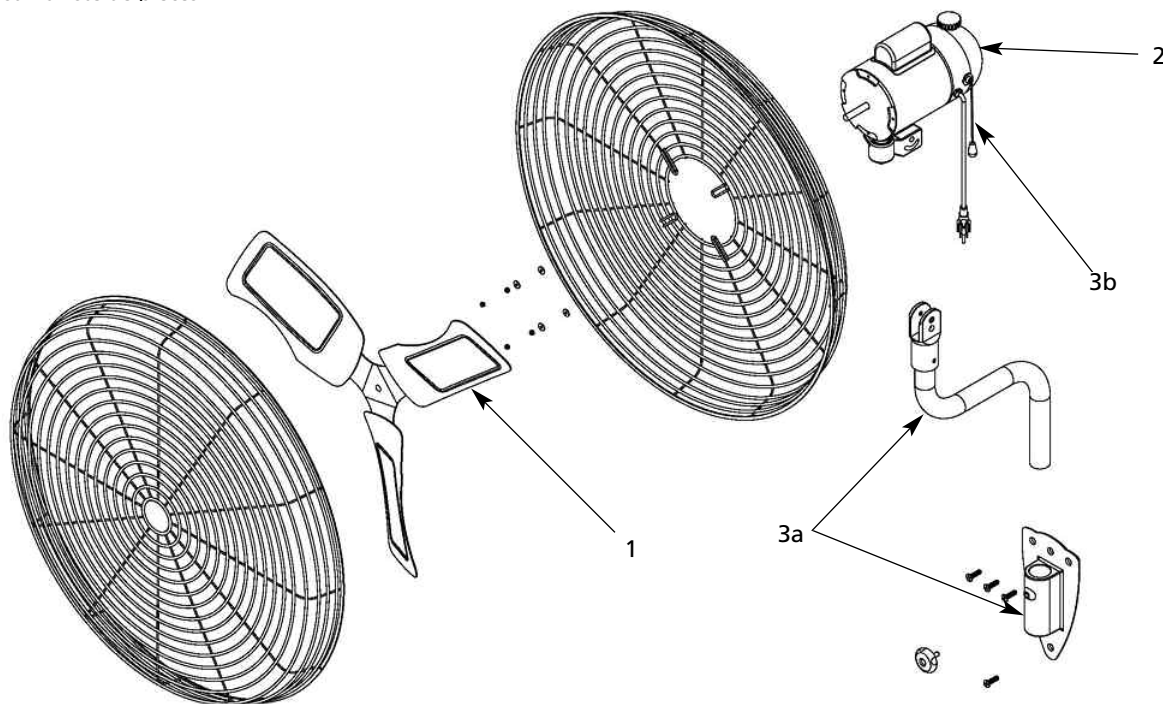


Figure 5 – Illustrations des pièces détachées pour ventilateurs oscillant à usage commercial

Liste des pièces détachées pour ventilateurs oscillant à usage commercial

Numéro de référence	Description	Numéro de pièce pour modèles :				Quantité
		6ALE8	6ALE9	13V398	13V399	
1	Hélice	VEOSCP24F001G	VEOSCP30F002G	VEHVP18A300G	VEHVP20E300G	1
2	Moteur	4C354	5C040	VEPSC127635QG	VEPSC127635QG	1
3b	Interrupteur/ à tirette de la chaîne	*	*	VE3089RG	VE3089RG	1

Liste des pièces détachées pour ventilateurs oscillant à usage commercial

Numéro de référence	Description	Numéro de pièce pour modèles :				Quantité
		6ALF0	6ALF1	13V401	13V402	
1	Hélice	VEOSCP24F001G	VEOSCP30F002G	VEHVP18A300G	VEHVP20E300G	1
2	Moteur	4C354	5C040	VEPSC127635QG	VEPSC127635QG	1
3a	Support/ mural pour plafond	VEOSCP30F001G	VEOSCP30F001G	VEOSCP30F001G	VEOSCP30F001G	1
3b	Interrupteur/ à tirette de la chaîne	*	*	VE3089RG	VE3089RG	1

(*) Pièces énumérées sans modèle ne sont pas offerts.

FRANÇAIS

Ventilateurs démontés oscillant à usage commercial léger Dayton®

Tableau de dépannage

Symptôme	Cause(s) possible(s)	Action corrective
L'appareil ne fonctionne pas	<ol style="list-style-type: none"> 1. Le cordon d'alimentation n'est pas branché 2. Fusible grillé ou disjoncteur déclenché 3. Pas d'alimentation électrique 4. Moteur défectueux 	<ol style="list-style-type: none"> 1. Brancher dans la prise 2. Remplacer le fusible ou réenclencher le disjoncteur 3. Contacter le pourvoyeur d'électricité 4. Remplacer l'appareil; le moteur ne peut être réparé sur place
Vibration excessive	<ol style="list-style-type: none"> 1. Le cordon d'alimentation n'est pas branché 2. Fusible grillé ou disjoncteur déclenché 3. Pas d'alimentation électrique 4. Moteur défectueux 	<ol style="list-style-type: none"> 1. Serrer les écrous à un couple de 47,4 à 54,2 Nm (35 à 20 po-lb) 2. Nettoyer l'hélice

GARANTIE LIMITÉE

GARANTIE LIMITÉE DE UN AN DE DAYTON. LES MODÈLES DE VENTILATEUR DÉMONTÉS À USAGE COMMERCIAL LÉGER DE DAYTON® COUVERTS DANS CE MANUEL SONT GARANTIS À L'UTILISATEUR D'ORIGINE PAR DAYTON ELECTRIC MFG. CO. (DAYTON), CONTRE TOUT DÉFAUT DE FABRICATION OU DE MATÉRIAUX, LORS D'UNE UTILISATION NORMALE, ET CELA PENDANT UN AN APRÈS LA DATE D'ACHAT. TOUTE PIÈCE, DONT LES MATÉRIAUX OU LA MAIN D'OUVRE SERONT JUGÉS DÉFECTUEUX, ET QUI SERA RENVOYÉE PORT PAYÉ, À UN CENTRE DE RÉPARATION AUTORISÉ PAR DAYTON, SERA, À TITRE DE SOLUTION EXCLUSIVE, SOIT RÉPARÉE, SOIT REMPLACÉE PAR DAYTON. POUR LE PROCÉDÉ DE RÉCLAMATION SOUS GARANTIE LIMITÉE, REPORTEZ-VOUS À LA CLAUSE DE « DISPOSITION PROMPTE » CI-DESSOUS. CETTE GARANTIE LIMITÉE DONNE AUX ACHETEURS DES DROITS LÉGAUX SPÉCIFIQUES QUI VARIENT DE JURIDICTION À JURIDICTION.

LIMITES DE RESPONSABILITÉ. LA RESPONSABILITÉ DE DAYTON, DANS LES LIMITES PERMISES PAR LA LOI, POUR LES DOMMAGES INDIRECTS OU FORTUITS EST EXPRESSEMENT DÉNIÉE. DANS TOUS LES CAS LA RESPONSABILITÉ DE DAYTON EST LIMITÉE ET NE DÉPASSERA PAS LA VALEUR DU PRIX D'ACHAT PAYÉ.

DÉSISTEMENT DE GARANTIE. DE DILIGENTS EFFORTS SONT FAITS POUR FOURNIR AVEC PRÉCISION LES INFORMATIONS ET ILLUSTRATIONS DES PRODUITS DÉCRITS DANS CETTE BROCHURE; CEPENDANT, DE TELLES INFORMATIONS ET ILLUSTRATIONS SONT POUR LA SEULE RAISON D'IDENTIFICATION, ET N'EXPRIMENT NI N'IMPLIQUENT QUE LES PRODUITS SONT COMMERCIALISABLES, OU ADAPTÉS À UN BESOIN PARTICULIER, NI QUE CES PRODUITS SONT NÉCESSAIREMENT CONFORMES AUX ILLUSTRATIONS OU DESCRIPTIONS. SAUF POUR CE QUI SUIT, AUCUNE GARANTIE OU AFFIRMATION DE FAIT, ÉNONCÉE OU IMPLICITE, AUTRE QUE CE QUI EST ÉNONCÉ DANS LA « GARANTIE LIMITÉE » CI-DESSUS N'EST FAITE OU AUTORISÉE PAR DAYTON.

Désistement sur les conseils techniques et les recommandations. Peu importe les pratiques ou négociations antérieures ou les usages commerciaux, les ventes n'incluent pas l'offre de conseils techniques ou d'assistance ou encore de conception de système. Dayton n'a aucune obligation ou responsabilité quant aux recommandations non autorisées, aux opinions et aux suggestions relatives au choix, à l'installation ou à l'utilisation des produits.

Conformité du produit. De nombreuses juridictions ont des codes et règlements qui gouvernent les ventes, constructions, installations et/ou utilisations de produits pour certains usages qui peuvent varier par rapport à ceux d'une zone voisine. Bien que Dayton essaie de s'assurer que ses produits s'accordent avec ces codes, Dayton ne peut garantir cet accord, et ne peut être jugée responsable pour la façon dont le produit est installé ou utilisé. Avant l'achat et l'usage d'un produit, revoir les applications de ce produit, ainsi que tous les codes et règlements nationaux et locaux applicables, et s'assurer que le produit, son installation et son usage sont en accord avec eux.

Certains aspects de désistement ne sont pas applicables aux produits pour consommateur; ex : (a) certaines juridictions ne permettent pas l'exclusion ou la limitation des dommages indirects ou fortuits et donc la limitation ou exclusion ci-dessus peut ne pas s'appliquer dans le cas présent; (b) également, certaines juridictions n'autorisent pas de limitations de durée de la garantie implicite, en conséquence, la limitation ci-dessus peut ne pas s'appliquer dans le cas présent; et (c) par force de loi, pendant la période de cette Garantie Limitée, toutes garanties impliquées de commerciabilité ou d'adaptabilité à un besoin particulier applicables aux produits de consommateurs achetés par des consommateurs, peuvent ne pas être exclues ni autrement désistées.

Disposition prompte. Un effort de bonne foi sera fait pour corriger ou ajuster rapidement tout produit prouvé défectueux pendant la période de la garantie limitée. Pour tout produit considéré défectueux pendant la période de garantie limitée, contacter tout d'abord le concessionnaire où l'appareil a été acheté. Le concessionnaire doit donner des instructions supplémentaires. S'il est impossible de résoudre le problème de façon satisfaisante, écrire à Dayton à l'adresse ci-dessous, en indiquant le nom et l'adresse du concessionnaire, la date et le numéro de la facture du concessionnaire, et en décrivant la nature du défaut. Le titre et le risque de perte passent à l'acheteur au moment de la livraison par le transporteur. Si le produit a été endommagé pendant le transport, une réclamation doit être faite auprès du transporteur.

Fabriqué pour Dayton Electric Mfg. Co., 100 Grainger Parkway, Lake Forest, IL 60045 États-Unis

