

Please read and save these instructions. Read carefully before attempting to assemble, install, operate or maintain the product described. Protect yourself and others by observing all safety information. Failure to comply with instructions could result in personal injury and/or property damage! Retain instructions for future reference.

Dayton® Aluminum Convertible Hand Trucks

Description

Dayton lightweight aluminum convertible hand trucks can be positioned vertically or horizontally for various applications. The maximum capacity load for 6W050C is 500 pounds when vertical and 650 pounds when horizontal. The maximum capacity load for 4ZJ34C is 500 pounds when vertical and 650 pounds when horizontal. Both models convert easily from vertical to horizontal without removing the handle. Riveted and bolted aluminum channel construction allow for easy repair.

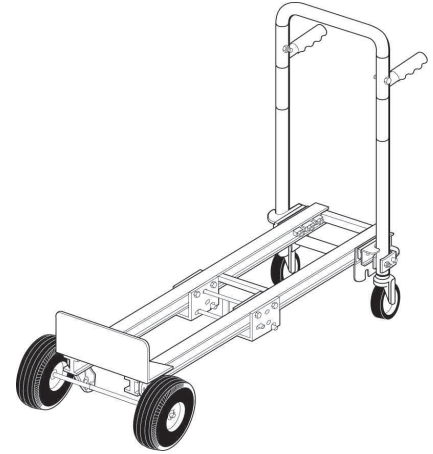
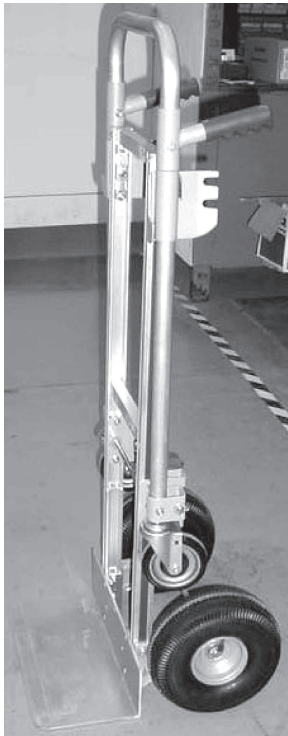


Figure 1 – 6W050C Horizontal Position



6W050C



4ZJ34C

Specifications

Model	Capacity	Load Height	Width	Stack Height	Noseplate Size	Caster Size	Wheel Size	Wheel Type	Type
6W050C	500 Lbs. Vert. 650 Lbs. Horiz.	51 3/4"	21 1/4"	51"	8 1/2 x 18"	5"	10 x 4"	Rubber	Pneumatic
4ZJ34C	500 Lbs. Vert. 650 Lbs. Horiz.	61 1/2"	21 1/4"	61"	8 1/2 x 18"	5"	10 x 4"	Rubber	Pneumatic

For Repair Parts, call 1-800-Grainger

24 hours a day - 365 days a year

Please provide the following information:

- Model number
- Serial number (if any)
- Part description and number as shown in parts list

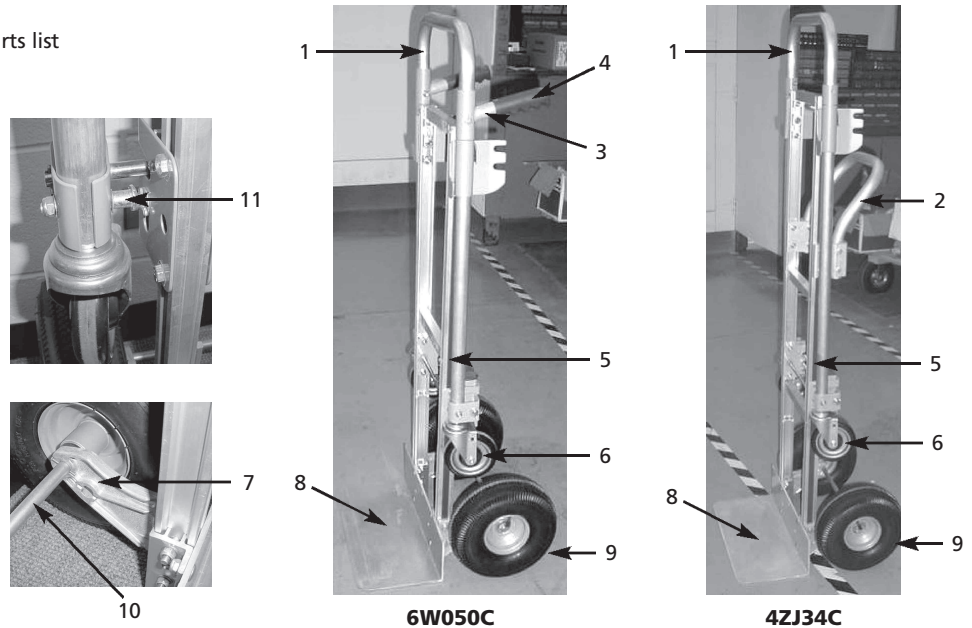


Figure 2 - Replacement Parts

Replacement Parts List

Ref. No.	Description	6W050C	4ZJ34C	QTY
1	Handle Bar	HB-050	HB-34	1
2	Flow-Back Handle Bar	-	FBHB-34	1
3	Pin Handle	PH-050	-	2
4	Handle Grip	HB-046	-	2
5	Side Trim Strip - Black, 9ft (2.75cm) cut to size	ST-050	ST-050	1
6	Swivel Caster - Polyurethane Tread	SC-050	SC-050	2
7	Axle Cast Brackets, left & right (set of 2)	AB-046	AB-046	1
8	Nose/Toe Plate (8 ¹ / ₂ " x 18")	NP-050	NP-050	1
9	10" Pneumatic Wheel	PW-100	PW-100	2
10	Axle (18 ¹ / ₄ " x 5/8" dia.)	AX-046	AX-046	1
11	Pivot Shoulder Bolt & Lock Nut	PSB-050	PSB-050	2
12	Wheel Hardware Kit (Includes 2 roll pins, 2 cotter pins, 4 spacer washers)	WHK-050	WHK-050	1

LIMITED WARRANTY

DAYTON ONE-YEAR LIMITED WARRANTY. Dayton® noseplate extension assembly, Models covered in this manual, are warranted by Dayton Electric Mfg. Co. (Dayton) to the original user against defects in workmanship or materials under normal use for one year after date of purchase. Any part which is determined to be defective in material or workmanship and returned to an authorized service location, as Dayton designates, shipping costs prepaid, will be, as the exclusive remedy, repaired or replaced at Dayton's option. For limited warranty claim procedures, see PROMPT DISPOSITION below. This limited warranty gives purchasers specific legal rights which vary from jurisdiction to jurisdiction.

LIMITATION OF LIABILITY. To the extent allowable under applicable law, Dayton's liability for consequential and incidental damages is expressly disclaimed. Dayton's liability in all events is limited to and shall not exceed the purchase price paid.

WARRANTY DISCLAIMER. Dayton has made a diligent effort to provide product information and illustrate the products in this literature accurately; however, such information and illustrations are for the sole purpose of identification, and do not express or imply a warranty that the products are MERCHANTABLE, or FIT FOR A PARTICULAR PURPOSE, or that the products will necessarily conform to the illustrations or descriptions. Except as provided below, no warranty or affirmation of fact, expressed or implied, other than as stated in the "LIMITED WARRANTY" above is made or authorized by Dayton.

PRODUCT SUITABILITY. Many jurisdictions have codes and regulations governing sales, construction, installation, and/or use of products for certain purposes, which may vary from those in neighboring areas. While Dayton attempts to assure that its products comply with such codes, it cannot guarantee compliance, and cannot be responsible for how the product is installed or used. Before purchase and use of a product, review the product applications, and all applicable national and local codes and regulations, and be sure that the product, installation, and use will comply with them.

Certain aspects of disclaimers are not applicable to consumer products; e.g., (a) some jurisdictions do not allow the exclusion or limitation of incidental or consequential damages, so the above limitation or exclusion may not apply to you; (b) also, some jurisdictions do not allow a limitation on how long an implied warranty lasts, consequently the above limitation may not apply to you; and (c) by law, during the period of this Limited Warranty, any implied warranties of implied merchantability or fitness for a particular purpose applicable to consumer products purchased by consumers, may not be excluded or otherwise disclaimed.

PROMPT DISPOSITION. Dayton will make a good faith effort for prompt correction or other adjustment with respect to any product which proves to be defective within limited warranty. For any product believed to be defective within limited warranty, first write or call dealer from whom the product was purchased. Dealer will give additional directions. If unable to resolve satisfactorily, write to Dayton at address below, giving dealer's name, address, date, and number of dealer's invoice, and describing the nature of the defect. Title and risk of loss pass to buyer on delivery to common carrier. If product was damaged in transit to you, file claim with carrier.

Manufactured for Dayton Electric Mfg. Co., 100 Grainger Parkway, Lake Forest, IL 60045 USA

Manufactured for Dayton Electric Mfg. Co.,
100 Grainger Parkway, Lake Forest, IL 60045 USA

Dayton®