

DAYTON AIR-OPERATED DOUBLE DIAPHRAGM PUMP DATA SHEET 6PY46, 6PY57, 3HJX2



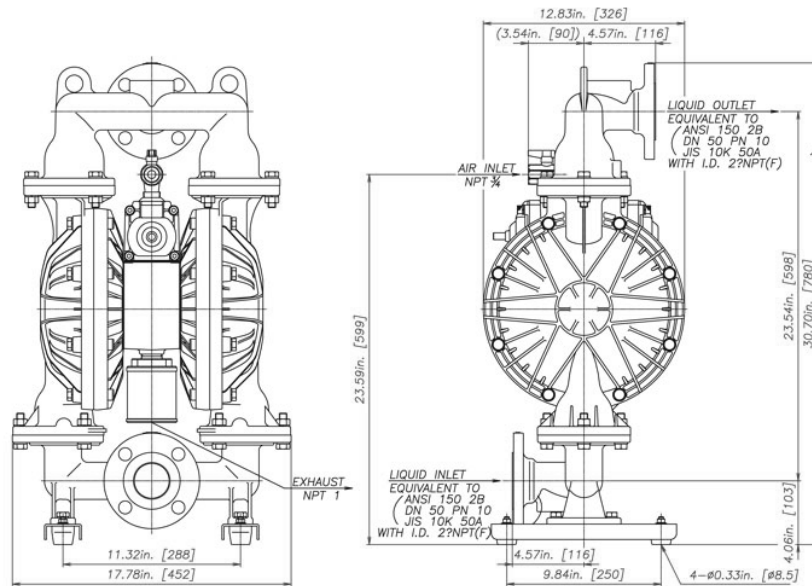
Technical Specs

	6PY46	6PY57	3HJX2
SHIPPING WEIGHT	104.0 LBS	100.0 LBS	104.0 LBS
MAXIMUM LIQUID TEMPERATURE	180°F (82°C)	212°F (100°C)	212°F (100°C)
INTAKE & DISCHARGE PORTS	2" ANSI PORT, 2" TAPPED NPT	2" ANSI PORT, 2" TAPPED NPT	2" ANSI PORT, 2" TAPPED NPT
FLOW	0 - 160GPM MAX	0 - 120 GPM MAX	0 - 160 GPM MAX
MAX AIR SUPPLY PRESSURE	100 PSI (1.4 - 7 KGF/CM ²)	100 PSI (1.4 - 7 KGF/CM ²)	100 PSI (1.4 - 7 KGF/CM ²)
BODY MATERIAL	ALUMINUM	ALUMINUM	ALUMINUM
LIFT - DRY, WET	19 FT, 28 FT	15 FT, 28 FT	19 FT, 28 FT
AIR VALVE			
LUBRICATION	NO LUBRICATION REQUIRED	NO LUBRICATION REQUIRED	NO LUBRICATION REQUIRED
MANUAL OVERRIDE	YES	YES	YES
LIQUID SIDE			
EASY REPAIR	YES	YES	YES
BALL CHECK VALVE	BUNA N	PTFE	EPDM
O-RINGS	BUNA N	PTFE	EPDM
DIAPHRAGMS	BUNA N	PTFE	SANTOPRENE®

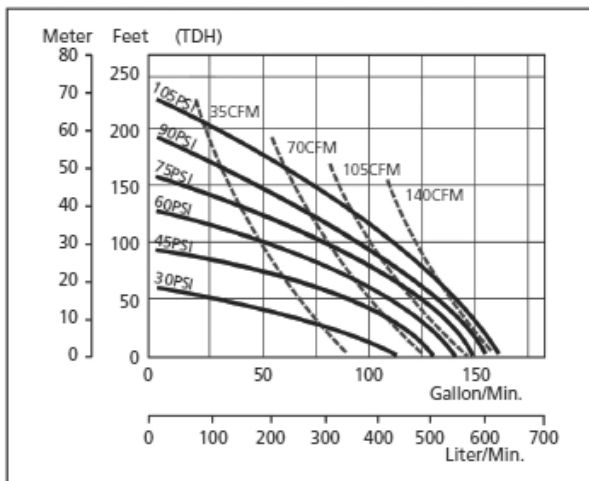
DAYTON AIR-OPERATED DOUBLE DIAPHRAGM PUMP

6PY46, 6PY57, 3HJX2

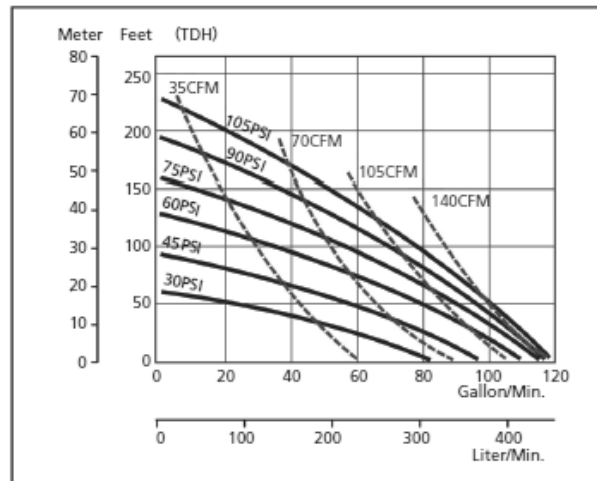
Dimensional Drawing



Performance Curve



6PY46, 3HJX2



6PY57

Find it at Grainger.

Call or visit your local branch or go to grainger.com/dayton for complete product line information.

