



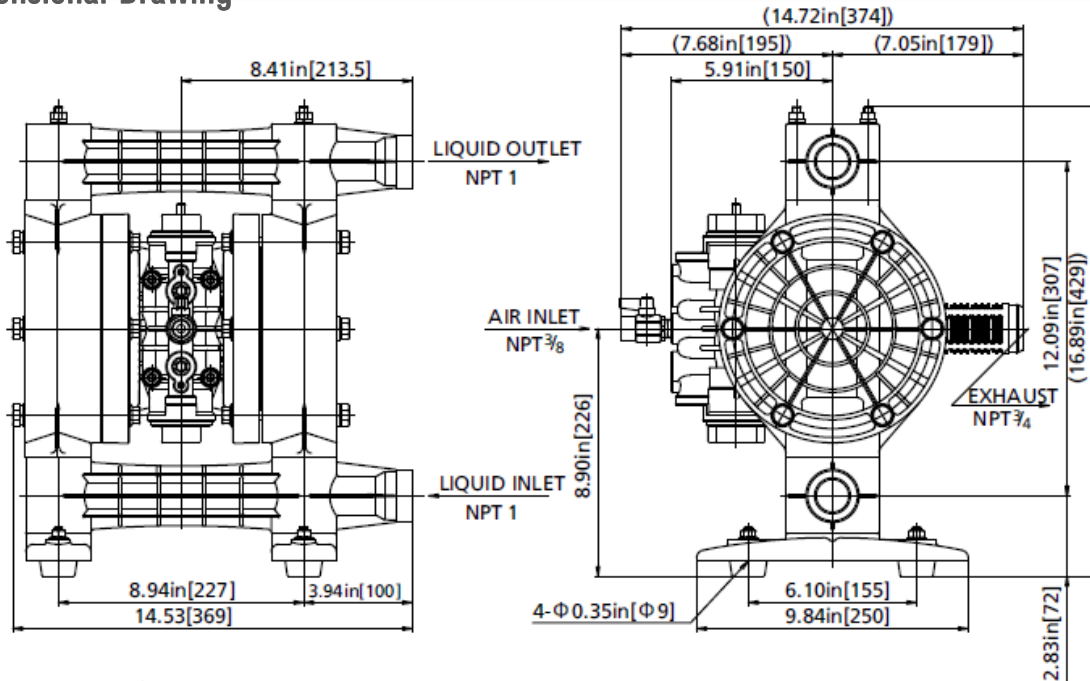
Technical Specs

	6PY36	6PY41
SHIPPING WEIGHT	29.2 LBS	29.5 LBS
MAXIMUM LIQUID TEMPERATURE	180°F (82°C)	180°F (82°C)
INTAKE & DISCHARGE PORTS	1" SIDE-PORT ,NPT	1" SIDE-PORT, NPT
FLOW	0 - 49 GPM MAX	0 - 35 GPM MAX
MAX AIR SUPPLY PRESSURE	100 PSI (1.4 - 7 KGF/CM ²)	100 PSI (1.4 - 7 KGF/CM ²)
BODY MATERIAL	POLYPROPYLENE	POLYPROPYLENE
LIFT - DRY, WET	18 FT, 28 FT	15 FT, 28 FT
AIR VALVE		
LUBRICATION	NO LUBRICATION REQUIRED	NO LUBRICATION REQUIRED
MANUAL OVERRIDE	YES	YES
LIQUID SIDE		
EASY REPAIR	YES	YES
BALL CHECK VALVE	EPDM	PTFE
O-RINGS	EPDM	PTFE
DIAPHRAGMS	SANTOPRENE®	PTFE

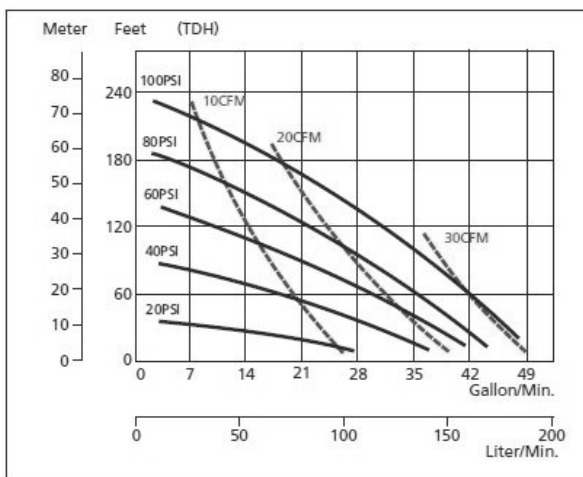
DAYTON AIR-OPERATED DOUBLE DIAPHRAGM PUMP

6PY36, 6PY41

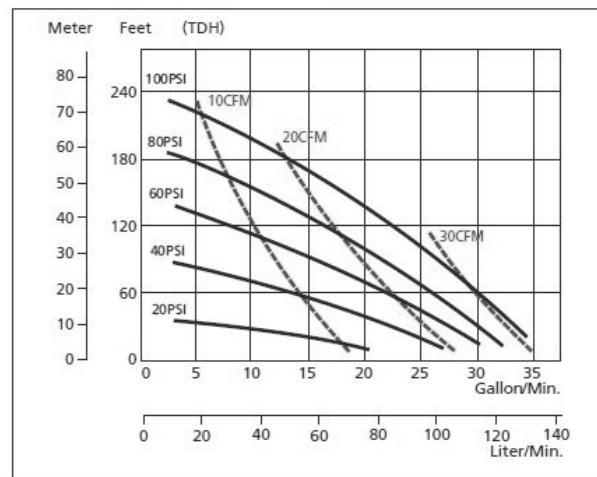
Dimensional Drawing



Performance Curve



6PY36



6PY41

Find it at Grainger.

Call or visit your local branch or go to grainger.com/dayton for complete product line information.

