

Dayton Utility Pumps

PUMPS technical data sheet



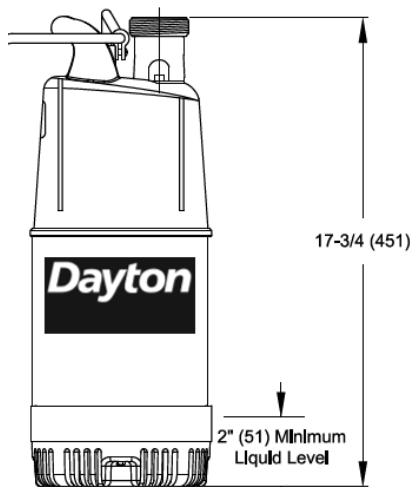
Submersible Utility / Dewatering pumps are designed for fluid transfer or dewatering applications. These pumps are typically used for temporary rain water removal and are designed to operate continuously. Utility pumps typically do not have automatic float switches, but do have broader head and flow ranges to accommodate higher performance requirements of dewatering applications.



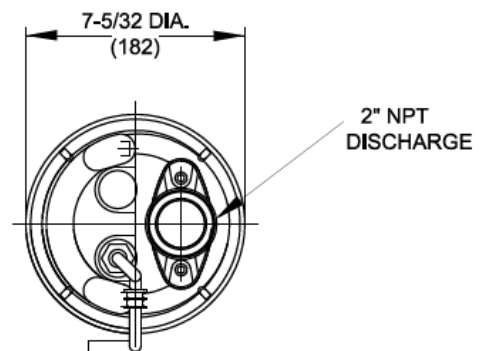
4LA45 7/10 HP, Stainless Steel Submersible Dewatering Pump

HP	7/10
Voltage	120V
Phase	Single
Frequency	60 Hz
Run Amps	8A
Start Amps	17.3A
RPM	3450
Motor Type	Capacitor Start / Capacitor Run

Overload Protection	Internal Thermal Overload
Motor Shaft Material	420 Stainless Steel
Motor Housing Material	304 Stainless Steel and Composite
Motor Duty	Continuous
Motor End Bearing	Single Row Ball
Pump End Bearing	Single Row Ball
Lubrication	Oil Lubricated
Discharge	2 Inch MNPT Flanged
Volute Material	Polyurethane
Base Material	Rubberized Urethane
Impeller Type	Open Vortex
Impeller Material	Polyurethane
Hardware Material	300 Series Stainless Steel
O-rings	Buna-N
Seal Type	Dual Mechanical
Seal Materials	Silicon Carbide/Silicon Carbide/Buna-N
Operation	Manual Operation
Power Cord	14/3 SJTOW, 50' (15.2m), NEMA 5-15P 120V Plug
Max. Solids Handling	1/4" (6.4mm) spherical
Max. Water Temperature	104°F (40°C)
Designed Fluid Environment	Water / Wastewater



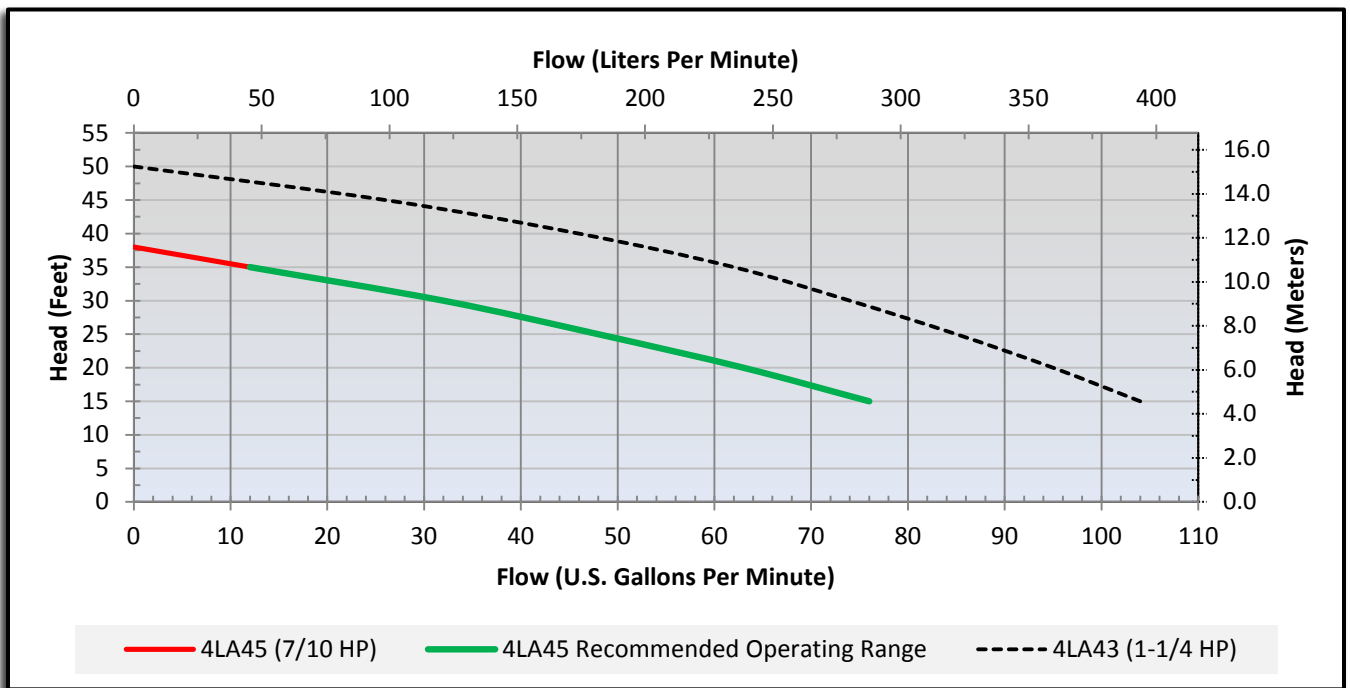
Outline Dimensions



Performance Data

Head	Feet	15	20	25	30	35	38
	Meters	4.6	6.1	7.6	9.1	10.7	11.6
Flow Rate	GPM	76	63	48	32	12	0
	LPM	288	238	182	121	45	0

Performance Chart



WARNING: Use only with nonflammable liquids compatible with pump component materials and in nonflammable/non-explosive atmospheres.

Call or visit your local branch or go to grainger.com/dayton for complete product line information



Find it at Grainger.

© 2013 W.W. Grainger, Inc.