

Dayton Sewage Pumps



PUMPS technical data sheet

Submersible Sewage pumps are designed to remove sewage wastewater from a residential home or commercial office. These pumps are designed to pass the typical suspended solids associated with sewage wastewater. Sewage pumps typically operate intermittently and automatically with a float switch and can accommodate solids up to 2" in diameter.

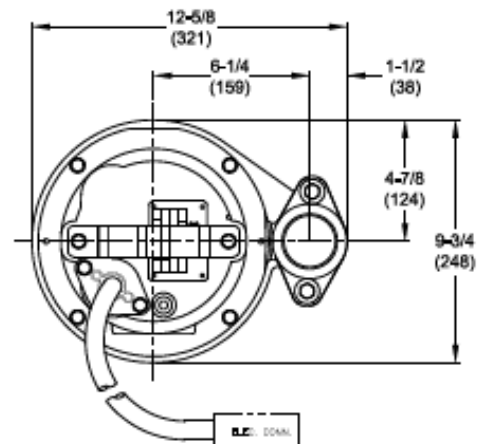
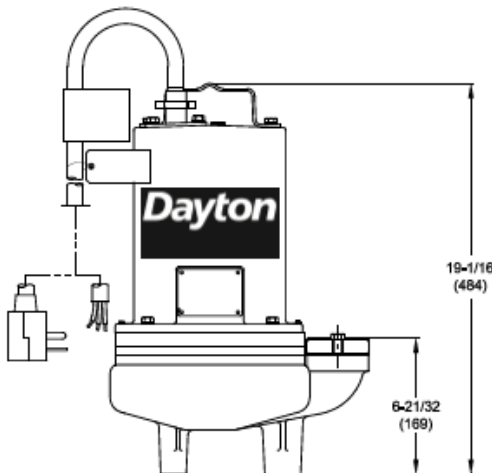


**4HU89
2 HP, Cast Iron
Submersible Sewage Pump**

| | |
|-------------------|---------------------------------------|
| HP | 2 |
| Voltage | 480V |
| Phase | 3 |
| Frequency | 60 Hz |
| Run Amps | 6A |
| Start Amps | 16.8A |
| RPM | 3450 |
| Motor Type | 3phase Hermetically Sealed/Oil Filled |

| | |
|-----------------------------------|--|
| Overload Protection | None - Requires Control Panel |
| Motor Shaft Material | Stainless Steel |
| Motor Housing Material | Cast Iron |
| Motor Duty | Continuous |
| Motor End Bearing | Single Row Ball |
| Pump End Bearing | Single Row Ball |
| Lubrication | Oil Lubricated |
| Discharge | 2 Inch Flanged, Vertical |
| Volute Material | Cast Iron |
| Base Material | Cast Iron |
| Impeller Type | Open Vortex |
| Impeller Material | Cast Iron |
| Hardware Material | Stainless Steel |
| O-rings | Buna-N |
| Seal Type | Single Mechanical |
| Seal Materials | Silicon Carbide/Silicon Carbide/Buna N |
| Operation | Manual Operation |
| Power Cord | 14/4 SOW, 20' (6.1m), Stripped Leads |
| Max. Solids Handling | 2" (51mm) spherical |
| Max. Water Temperature | 104°F (40°C) |
| Designed Fluid Environment | Water / Sewage Wastewater |

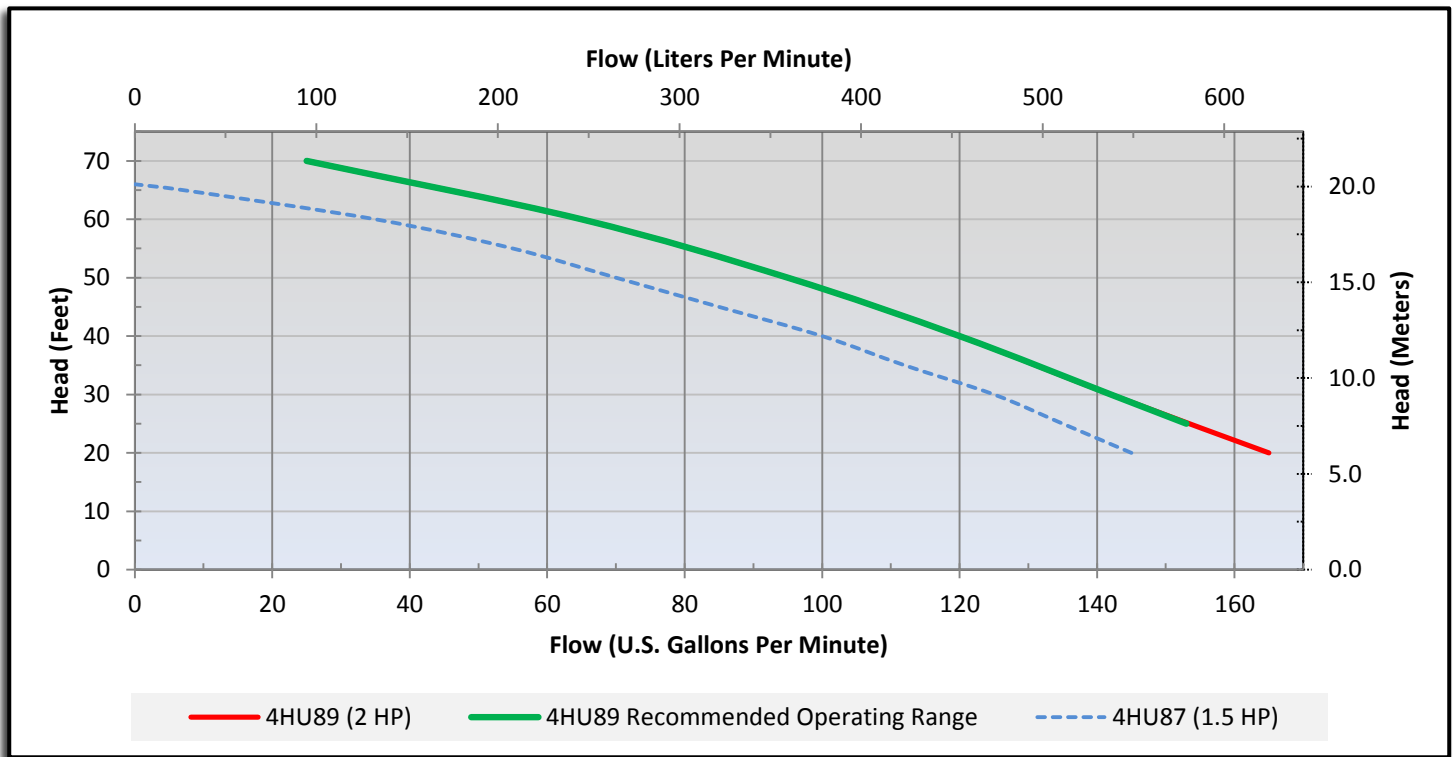
Outline Dimensions



Performance Data

| | | | | | | | |
|-----------|--------|-----|-----|------|------|------|------|
| Head | Feet | 20 | 30 | 40 | 50 | 60 | 70 |
| | Meters | 6.1 | 9.1 | 12.2 | 15.2 | 18.3 | 21.3 |
| Flow Rate | GPM | 165 | 142 | 120 | 95 | 65 | 25 |
| | LPM | 625 | 538 | 454 | 360 | 246 | 95 |

Performance Chart



WARNING: Use only with nonflammable liquids compatible with pump component materials and in nonflammable/nonexplosive atmospheres.

Call or visit your local branch or go to grainger.com/dayton for complete product line information



Find it at Grainger.

© 2013 W.W. Grainger, Inc.