

# Dayton Sump Pumps

## PUMPS technical data sheet



Submersible Sump Pumps are designed for water removal from areas that will not drain by gravity. These pumps are typically located in basins or sumps that are fed by foundation drains from residential homes, commercial buildings, parking lots or truck docks. They typically operate automatically through the use of a float switch and remove water collected from rainfall.

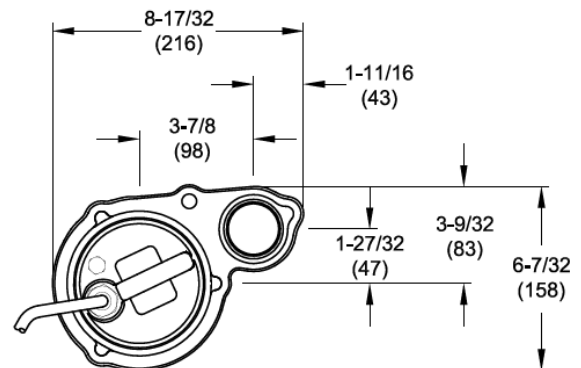
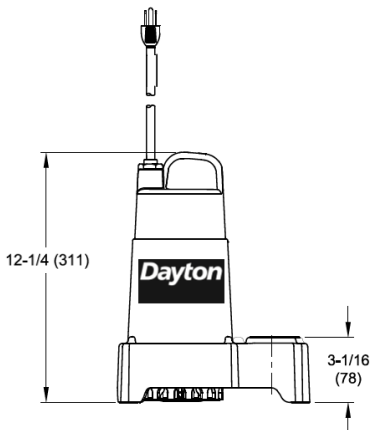


**3BB75**  
**3/4 HP, Cast Iron**  
**Submersible Sump Pump**

<b>HP</b>	3/4
<b>Voltage</b>	120V
<b>Phase</b>	Single
<b>Frequency</b>	60 Hz
<b>Run Amps</b>	10.5A
<b>RPM</b>	3450
<b>Motor Type</b>	PSC Oil-filled with Class B insulation

<b>Overload Protection</b>	Internal Thermal Overload
<b>Motor Shaft Material</b>	Stainless Steel
<b>Motor Housing Material</b>	Cast Iron
<b>Motor Duty</b>	Continuous
<b>Motor End Bearing</b>	Single Row Ball
<b>Pump End Bearing</b>	Single Row Ball
<b>Lubrication</b>	Oil Lubricated
<b>Discharge</b>	1-1/2 Inch FNPT, Vertical
<b>Volute Material</b>	Cast Iron
<b>Base Material</b>	Cast Iron
<b>Impeller Type</b>	Open Vortex
<b>Impeller Material</b>	Cast Iron
<b>Hardware Material</b>	Stainless Steel
<b>O-rings</b>	Buna-N
<b>Seal Type</b>	Single Mechanical
<b>Seal Materials</b>	Silicon Carbide/Silicon Carbide/Buna-N
<b>Operation</b>	Manual Operation
<b>Power Cord</b>	14/3 SJTOW, 15' (4.6m), NEMA 5-15P 120V Plug
<b>Max. Solids Handling</b>	1/2" (13mm) spherical
<b>Max. Water Temperature</b>	140°F (60°C)
<b>Designed Fluid Environment</b>	Water / Wastewater

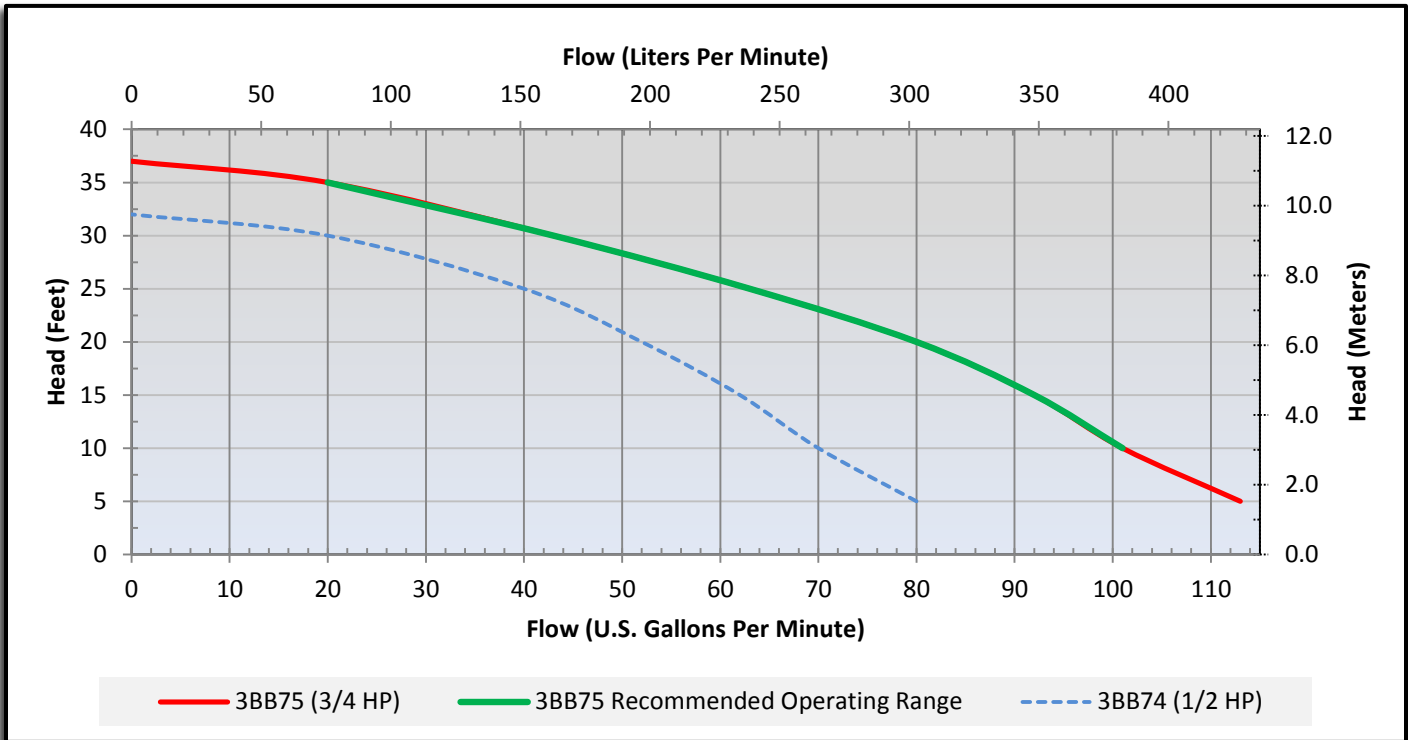
### Outline Dimensions



## Performance Data

Head	Feet	5	10	15	20	25	30	35	37
	Meters	1.5	3.1	4.6	6.1	7.6	9.1	10.7	11.3
Flow Rate	GPM	113	101	92	80	63	43	20	0
	LPM	428	382	348	303	238	163	76	0

## Performance Chart



**WARNING:** Use only with nonflammable liquids compatible with pump component materials and in nonflammable/non-explosive atmospheres.

Call or visit your local branch or go to [granger.com/dayton](http://granger.com/dayton) for complete product line information



Find it at Grainger.

© 2013 W.W. Grainger, Inc.