

# Dayton Sump Pumps



## PUMPS technical data sheet

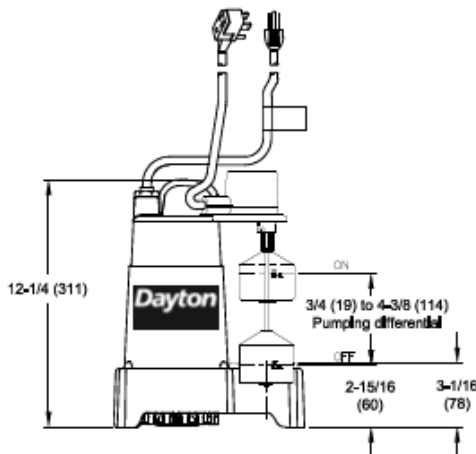
Dayton Sump Pumps are designed to handle water that will not drain by gravity. These pumps can be located in foundation drains in homes or buildings, parking lots, rainfall pooling in low land areas, manholes, retention ponds and truck docks.



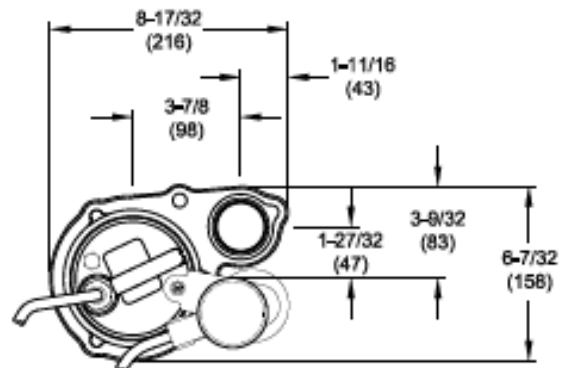
**3BB72**  
**3/4 HP, Cast Iron**  
**Submersible Sump Pump**

<b>HP</b>	3/4
<b>Voltage</b>	120V
<b>Phase</b>	Single
<b>Frequency</b>	60 Hz
<b>Run Amps</b>	9.8A
<b>RPM</b>	3450
<b>Motor Type</b>	PSC Oil-filled with Class B insulation

<b>Overload Protection</b>	Internal Thermal Overload
<b>Motor Shaft Material</b>	Stainless Steel
<b>Motor Housing Material</b>	Cast Iron
<b>Motor Duty</b>	Continuous
<b>Motor End Bearing</b>	Single Row Ball
<b>Pump End Bearing</b>	Single Row Ball
<b>Lubrication</b>	Oil Lubricated
<b>Discharge</b>	1-1/2 Inch FNPT, Vertical
<b>Volute Material</b>	Cast Iron
<b>Base Material</b>	Plastic
<b>Impeller Type</b>	Open Vortex
<b>Impeller Material</b>	Cast Iron
<b>Hardware Material</b>	Stainless Steel
<b>O-rings</b>	Buna-N
<b>Seal Type</b>	Single Mechanical
<b>Seal Materials</b>	Silicon Carbide/Silicon Carbide/Buna-N
<b>Operation</b>	Automatic / Vertical Switch
<b>Power Cord</b>	14/3 SJTOW, 10' (3m), NEMA 5-15P 120V Plug
<b>Max. Solids Handling</b>	1/2" (13mm) spherical
<b>Max. Water Temperature</b>	140°F (60°C)
<b>Designed Fluid Environment</b>	Water / Wastewater
<b>Switch Type</b>	Vertical PVC Snap Action
<b>Switch Cord</b>	10' (3m) SJOW Power Cord
<b>Switch Plug</b>	NEMA 5-15P Piggyback Plug
<b>Switch Max. Run Amps</b>	13A
<b>Switch Max. Start Amps</b>	60A
<b>Switch Pumping Range</b>	On at 7.5" (191mm) Off at 4" (102mm)



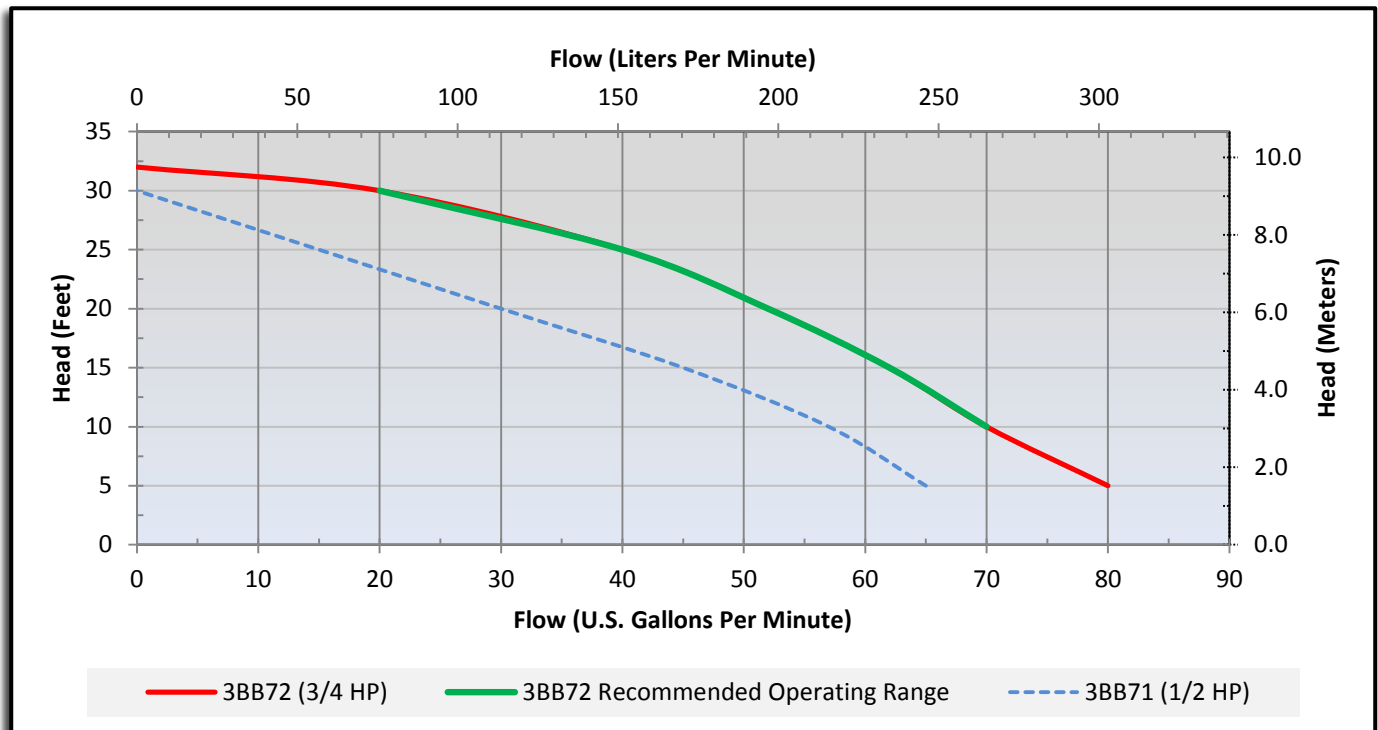
## Outline Dimensions



## Performance Data

Head	Feet	5	10	15	20	25	30	32
	Meters	1.5	3.0	4.6	6.1	7.6	9.1	9.8
Flow Rate	GPM	80	70	62	52	40	20	0
	LPM	303	265	235	197	151	76	0

## Performance Chart



**WARNING:** Use only with nonflammable liquids compatible with pump component materials and in nonflammable/non-explosive atmospheres.

Call or visit your local branch or go to [granger.com/dayton](http://granger.com/dayton) for complete product line information



Find it at Grainger.

© 2013 W.W. Grainger, Inc.