

Dayton Sump Pumps

PUMPS technical data sheet



Dayton Sump Pumps are designed to handle water that will not drain by gravity. These pumps can be located in foundation drains in homes or buildings, parking lots, rainfall pooling in low land areas, manholes, retention ponds and truck docks.

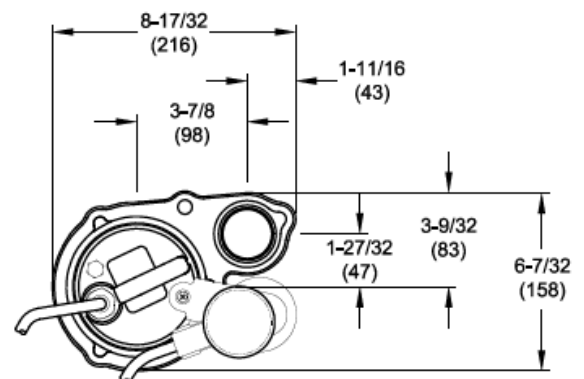
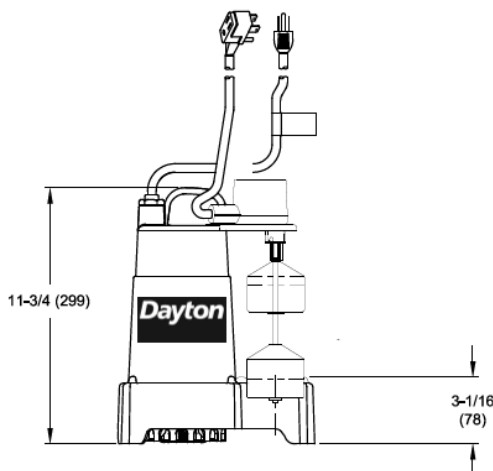


3BB70
1/3 HP, Cast Iron
Submersible Sump Pump

HP	1/3
Voltage	120V
Phase	Single
Frequency	60 Hz
Run Amps	5.8A
RPM	3450
Motor Type	PSC Oil-filled with Class B insulation

Overload Protection	Internal Thermal Overload
Motor Shaft Material	Stainless Steel
Motor Housing Material	Cast Iron
Motor Duty	Continuous
Motor End Bearing	Single Row Ball
Pump End Bearing	Single Row Ball
Lubrication	Oil Lubricated
Discharge	1-1/2 Inch FNPT, Vertical
Volute Material	Cast Iron
Base Material	Plastic
Impeller Type	Open Vortex
Impeller Material	Cast Iron
Hardware Material	Stainless Steel
O-rings	Buna-N
Seal Type	Single Mechanical
Seal Materials	Silicon Carbide/Silicon Carbide/Buna-N
Operation	Automatic / Vertical Switch
Power Cord	14/3 SJTOW, 10' (3m), NEMA 5-15P 120V Plug
Max. Solids Handling	1/2" (13mm) spherical
Max. Water Temperature	140°F (60°C)
Designed Fluid Environment	Water / Wastewater
Switch Type	Vertical PVC Snap Action
Switch Cord	10' (3m) SJOW Power Cord
Switch Plug	NEMA 5-15P Piggyback Plug
Switch Max. Run Amps	13A
Switch Max. Start Amps	60A
Switch Pumping Range	On at 7.5" (191mm) Off at 4" (102mm)

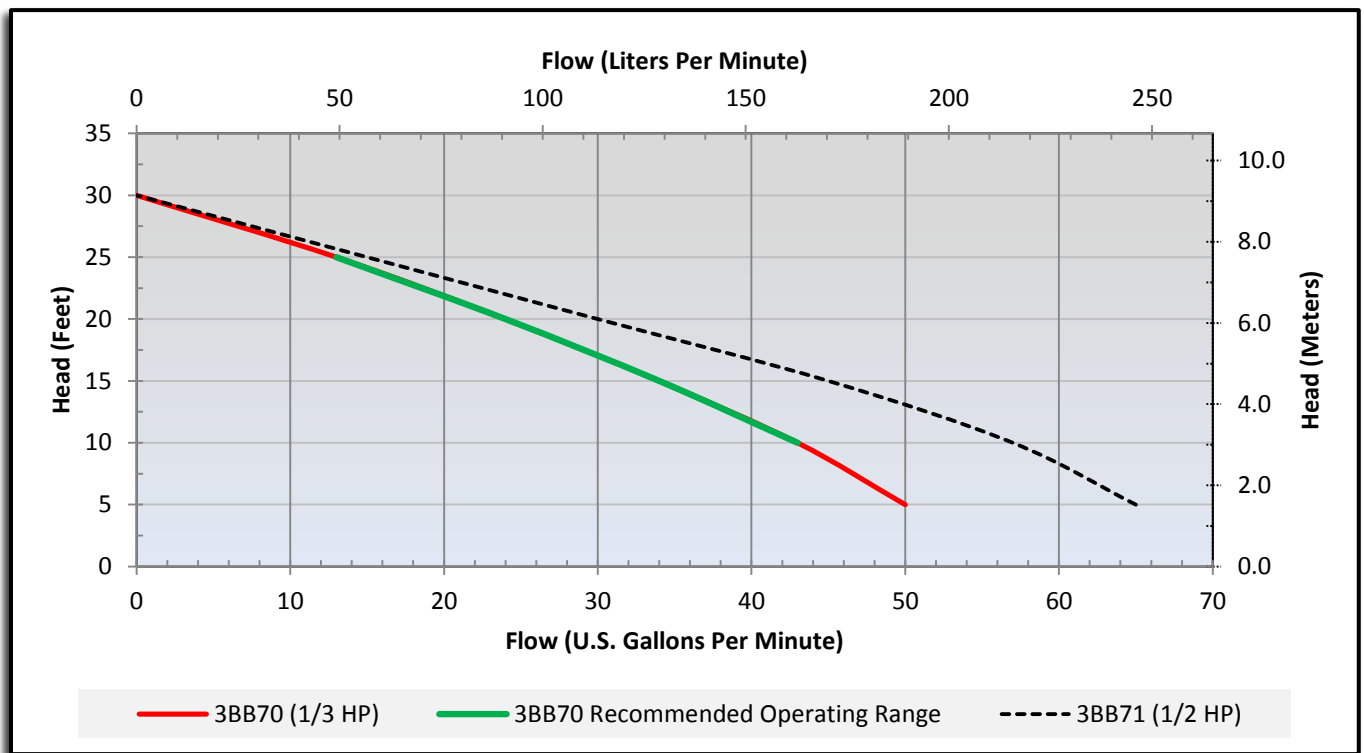
Outline Dimensions



Performance Data

Head	Feet	5	10	15	20	25	30
	Meters	1.5	3.1	4.6	6.1	7.6	9.1
Flow Rate	GPM	50	43	34	24	13	0
	LPM	189	163	129	91	49	0

Performance Chart



WARNING: Use only with nonflammable liquids compatible with pump component materials and in nonflammable/non-explosive atmospheres.

Call or visit your local branch or go to granger.com/dayton for complete product line information



Find it at Grainger.

© 2013 W.W. Grainger, Inc.