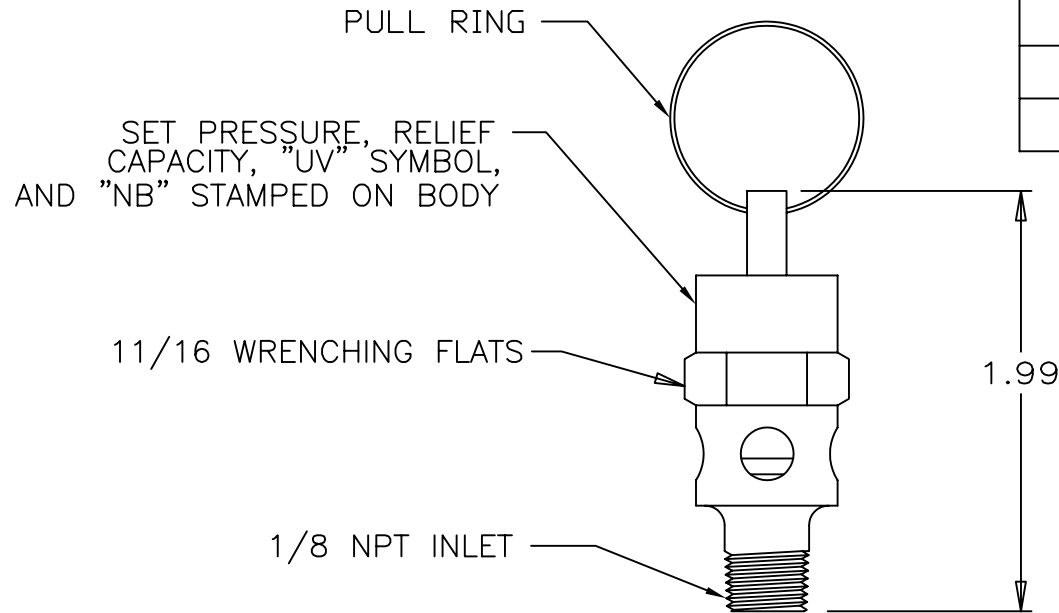


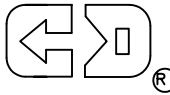
THIS DOCUMENT CONTAINS PROPRIETARY AND CONFIDENTIAL INFORMATION OF CONTROL DEVICES INC. AND MUST BE USED STRICTLY IN ACCORDANCE WITH THE LIMITED PURPOSE FOR WHICH IT WAS SUBMITTED. ANY REPRODUCTION, DISCLOSURE OR USE OF THIS DOCUMENT IS EXPRESSLY PROHIBITED, EXCEPT AS OTHERWISE AGREED IN WRITING.

DATE	SYM	REVISION RECORD	ECN NO.	CK.
3/94	A	REDRAWN ON AUTOCAD		



NOTES

1. SET PRESSURE RANGE IS 25 PSI TO 350 PSI.
2. RELIEF CAPACITY IS GIVEN BY THE EQUATION
 $Q = .759(1.1P + 14.7)$, WHERE
 Q = RELIEF CAPACITY IN SCFM, AND
 P = SET PRESSURE IN PSI
3. MATERIALS OF CONSTRUCTION
 BODY, ROD, CUP, SCREW--BRASS
 SPRING--MUSIC WIRE
 PAD--SILICONE OR FLUOROCARBON RUBBER
 PULL RING--STAINLESS STEEL
4. MAX TEMPERATURE 250° F
5. MAX INSTALLATION TORQUE = 10 FT LBS

TOLERANCES (EXCEPT AS NOTED)		 control devices inc. 711 HANLEY INDUSTRIAL COURT ST. LOUIS, MISSOURI 63144			
DECIMAL +	FRACTIONAL ±	MATERIAL	SCALE FULL	SIZE A	DRAWN BY RMH
ANGULAR +					APPROVED BY
DATE 5/17/91	TITLE VALVE, ASME SAFETY, 1/8 NPT				
C:\ACADWIN\PARTDWGS\ST2512.DWG		CAD FILE	DRAWING NUMBER ST12		REV A

ALL DIMENSIONS ARE IN INCHES.