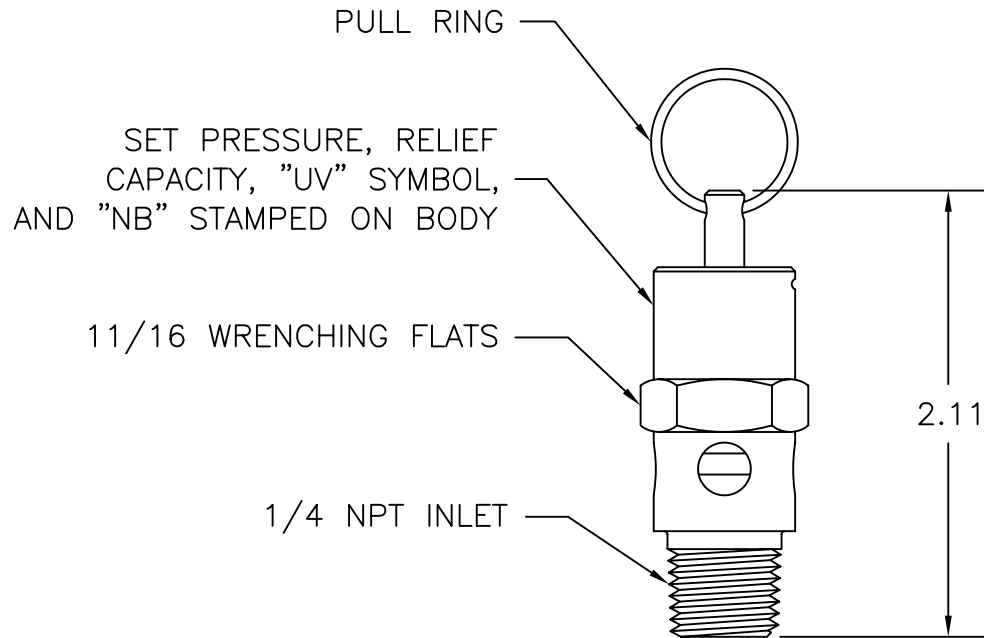


THIS DOCUMENT CONTAINS PROPRIETARY AND CONFIDENTIAL INFORMATION OF CONTROL DEVICES INC. AND MUST BE USED STRICTLY IN ACCORDANCE WITH THE LIMITED PURPOSE FOR WHICH IT WAS SUBMITTED. ANY REPRODUCTION, DISCLOSURE OR USE OF THIS DOCUMENT IS EXPRESSLY PROHIBITED, EXCEPT AS OTHERWISE AGREED IN WRITING.

DATE	SYM	REVISION RECORD	ECN NO.	CK.

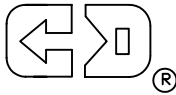


NOTES

1. SET PRESSURE RANGE IS 50 TO 350 PSIG.
2. RELIEF CAPACITY IS GIVEN BY THE EQUATION  

$$Q = .716(1.1P + 14.7)$$
 WHERE  
 Q = RELIEF CAPACITY IN SCFM, AND  
 P = SET PRESSURE IN PSIG
3. MATERIALS OF CONSTRUCTION  
 BODY, ROD/CUP, SCREW – BRASS  
 SPRING – STAINLESS STEEL  
 BALL – STAINLESS STEEL  
 PULL RING – STAINLESS STEEL
4. MAX TEMPERATURE 400° F

ALL DIMENSIONS ARE IN INCHES.

TOLERANCES (EXCEPT AS NOTED)	 control devices inc. 711 HANLEY INDUSTRIAL COURT ST. LOUIS, MISSOURI 63144			
	DECIMAL + -	MATERIAL	SCALE FULL	SIZE A
FRACTIONAL +	TITLE VALVE, ASME SAFETY, 1/4 NPT			
ANGULAR +	DATE 3/14/96	CAD FILE	DRAWING NUMBER SA25	
	Q:\ENGR\PARTDWGS\SA25.DWG			