

**RACO®**

A Division of Hubbell Incorporated (Delaware)

## Installation Instructions

### RACO Cat. #s 296, 296-1 & 299

1-1/2" Deep ceiling box. 296, 296-1, Cubic capacity 15.8 Cu.in.

2-1/8" Deep ceiling box. 299 Cubic capacity 22.4 Cu.In.

**Maximum Support:** Fan – 70 lbs, Fixture- 150 lbs

U.S. Patent 7,148,420

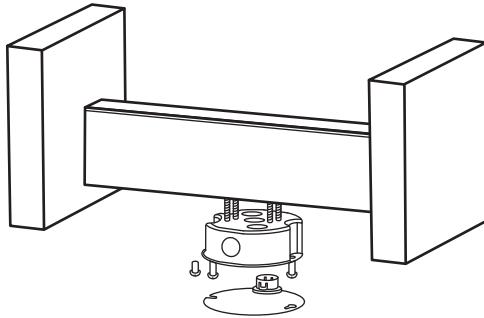
For use with new construction and remodel applications. Mounts to support in between joists. Includes mounting holes for fan or fixture.

Use disposable steel protection cover for mudding/painting operation.

Cover will protect wiring while router is used to cut drywall.

**Included:**

Steel box, Disposable Steel Protection Cover, 2 x #10-32 (Grade 5) Fan mounting screws 4 x Wood screws, 1 x Ground screw, 1 x Nonmetallic connector.



**Installation Instructions: New Construction**

- Install 2" x 4" support between joist, setback (see diagram).
- Remove desired knock out (side or bottom).
- Mount box on wood using 4 wood screws provided. **Screws must be driven perpendicular to joist. Screws should be fully embedded but not over tightened.**
- Install NM connector through inside of box in knockout and run Nonmetallic sheathed wiring.
- Install ground screw provided and connect ground wire.
- Follow fan or fixture mounting instructions.
- Use 10-32 screws (provided) if mounting a fan, or fixture over 50 lbs.
- Use 8-32 (not provided) screws if mounting a light fixture.

**Installation Instructions: Remodeling (Attic access required)**

- Cut 4-1/8" dia. hole through drywall
- Continue as described in new construction instructions.

**"A" Setback for 5/8" drywall**

Cat.No.	296	296-1	299
English	1"	1"	1-5/8"
Metric	2.5cm	2.5cm	4.1cm

**Caution:** Disconnect power supply. Use RACO® supplied screws only (except 8-32 screws for light fixtures). Connector installation through inside of the box. Maximum NM cable 10-3 with ground.