

COLUMBUS ELECTRIC

INSTALLATION & INSTRUCTION SHEET HLT SERIES EXPLOSION PROOF THERMOSTATS

DESCRIPTION	SPECIFICATIONS
<p>The Columbus Electric HLT Series thermostat is designed to control heating only, cooling only, heating and cooling or ventilation systems in oil refineries, grain elevators, munitions plants, hospital operating rooms and other hazardous locations.</p> <p>The switch mechanism is enclosed in a 1/2" thick cast aluminum case which is dust proof. A reliable sensing element provides accurate response to temperature change and does not require leveling during installation.</p> <p>The casing is tapped top and bottom for 3/4" conduit, a 1/2" adaptor is provided.</p>	<p>ELECTRICAL RATING 22 AMPS @ 125/277 VAC 3/4 HP @ 125 VAC 1 1/2 HP @ 250/277 VAC</p> <p>DIFFERENTIAL HEAT APPROXIMATELY.....2°F COOLING APPROXIMATELY....4°F</p> <p>TEMPERATURE RANGE (STANDARD MODELS) SETTING RANGE.....50°F TO 90° HEATING OR COOLING.50°F TO 90°</p>
<p>APPROVALS C.U.L. LISTED CLASS I GROUPS C & D CLASS II GROUPS E, F, & G</p>	<p>DIMENSIONS 5 5/8 X 6 3/8 X 4 1/2 H W D</p>

ALL WIRING MUST COMPLY TO NEC, STATE AND LOCAL CODES.

Locate the thermostat approximately five feet (5') above the floor in a location that will sense the average temperature of the area that is to be controlled. Do not mount the thermostat adjacent to water pipes, in drafty areas, or other locations that would adversely affect the operation of the thermostat.

1. Remove the cover of the thermostat and set it aside. Exercise care not to damage the mating surface or damage the temperature sensing bulb or other components. Caution: Marring of the mating surface of the enclosure could destroy the integrity of the seal causing an unsafe condition during operation of the thermostat.
2. Mount the thermostat base on the surface selected. See figure 1 for diminsions.
3. The base is tapped for 3/4" conduit; a 1/2" conduit adaptor and a 3/4" plug are provided. Two openings are provided. Unused openings must be properly plugged, with plug provided prior to applying power to the unit.
4. Connect the conduit to the mounted base and place the required wire into the base.
5. Connections are to be made to the switch terminals on the cover. See figure 2. The cover can then be installed to the base and securely fastened utilizing the four (4) mounting screws. Immediately prior to assembly, inspect the cover and base mating surfaces. Do not connect if surfaces are uneven or if gaps exist between cover and base. Install the four (4) cover screws and **TIGHTEN TO A MINIMUM OF 40 INCH POUNDS.**
6. The installer must seal each conduit run within 18" of the thermostat enclosure. This seal must be a suitable listed hazardous location fitting.

FIGURE 1

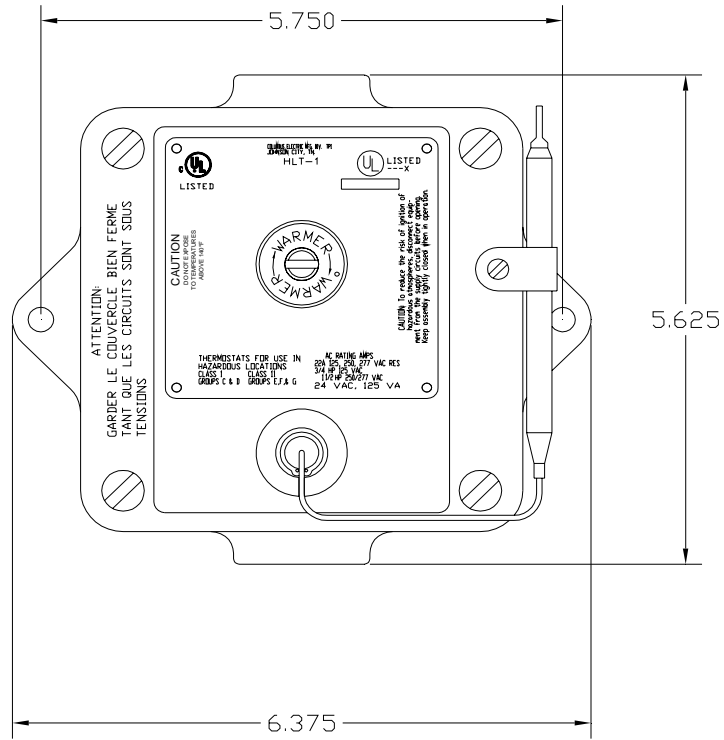
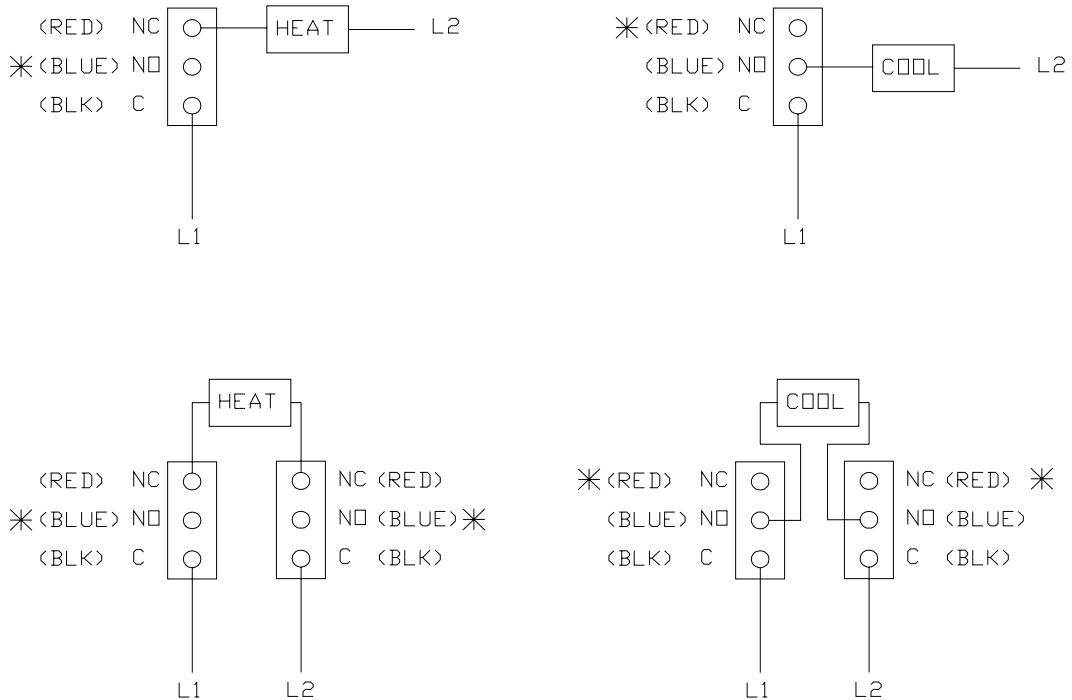


FIGURE 2



*PROVIDED ON DOUBLE THROW MODELS ONLY.

PO BOX 4976 JOHNSON CITY, TN 37602