

Dimensional Drawing



6GC94BH

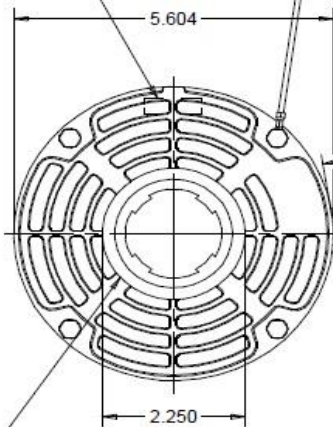
REV.

-

MODEL	REF	CUSTOMER	HP	VOLTS	AMPS	HZ	RPM	ROTATION	CUSTOMER PN	DESCRIPTION / REMARKS
K55HXHPB-2328		DAYTON	3/4	277	4.1	60	1075	C.W. LEAD END REV	6GC94BH	SAB

#16 GRN/YEL GROUND LEAD TO BE 12±.250 BETWEEN CENTERS OF TERMS. TERM. TO FIT #10 SCREW.

AUTOMATIC THERMAL PROTECTOR



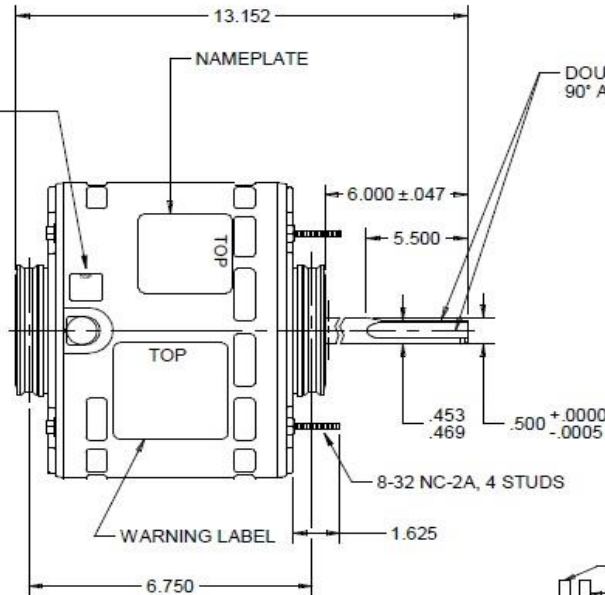
SEAM WELD

6 LEADS, #18, .031 THICK INSUL. TO EXTEND BEYOND MOTOR.
 WHT = 30.000 +2 -0, BLK = 30.000 +2 -0,
 BLU = 30.000 +2 -0, RED = 30.000 +2 -0,
 BRN = 30.000 +2 -0, BRN/WHT = 30.000 +2 -0

ROTATION: CCW VIEWING LEAD END WITH ORG-ORG AND YEL-YEL. TO REV. ROTATION INTERCHANGE ORG. AND YEL LEADS.

ROTATION: C.W. LEAD END REV

WARNING LABEL TO BE ADJACENT TO REVERSING LEADS

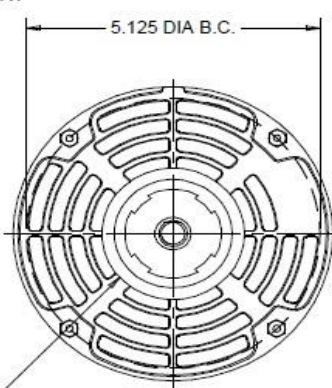


NAMEPLATE

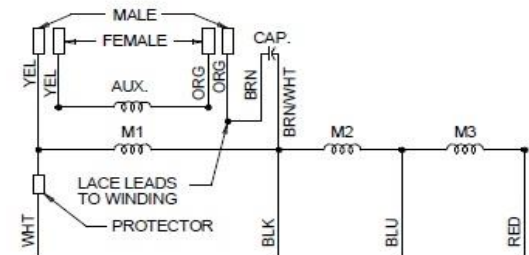
TOP

WARNING LABEL

DOUBLE SHAFT FLAT 90° APART



INCLUDE KIT FOR 2.5 HUB RING ASSEMBLY



DIMENSIONS UNITS, INCHES

DRAWING NO.	PAGE 1 of 1	REV.
6GC94BH		-

6GC94BH

REV.
-

SHADED-POLE & PSC MOTOR PERFORMANCE

HP:	3/4							
Poles:	6							
Ambient (°C):	40							
Altitude (FASL):	1000							
No. of Speeds:	3							
HIGH SPEED								
Volts:	277	115	208	230	277	460	100	200
HZ:	60	60	60	60	60	60	50	50
Service Factor:	1.0							
Efficiency:	@ Rated Load				67.7			
Power Factor:	@ Rated Load				96.8			
Amps:	@ No Load							
	@ Rated Load				4.1			
	@ Locked Rotor							
RPM:	@ Rated Load				1075			
Torques: Oz.Ft.	Breakdown				92.8			
	Locked Rotor							
	Pull-Up							
	Rated Load				77.9			
	Service Factor				1.0			
Watts:	Rated Load				1099			
Temperature Rise:	@ Rated Load							
Thermal Protector:	Trip Temp (°C)				140~150			
Winding Material:	Start (Auxiliary)				Copper			
	Run (Main)				Copper			
Capacitor:	Run (MFD / Volts)	15.0 MFD 370V						
	No. of Run Capacitors	1						
MEDIUM-HIGH SPEED								
HP:	3/4							
Volts:	277	115	208	230	277	460	100	200
HZ:	60	60	60	60	60	60	50	50
Efficiency:	@ Rated Load							
Power Factor:	@ Rated Load							
Amps:	@ No Load							
	@ Rated Load							
	@ Locked Rotor							
Torques: Oz.Ft.	Breakdown				73.3			
	Locked Rotor							
	Pull-Up							
	Rated Load							
Watts:	Rated Load							
Temperature Rise:	@ Rated Load							

DRAWING NO. PAGE REV.
6GC94BH -

6GC94BH

REV.
-

SHADED-POLE & PSC MOTOR PERFORMANCE

MEDIUM-LOW SPEED

HP:	3/4							
Volts:	277	115	208	230	277	460	100	200
HZ:	60	60	60	60	60	60	50	50
Efficiency:	@ Rated Load							
Power Factor:	@ Rated Load							
Amps:	@ No Load							
	@ Rated Load							
Torques: Oz.Ft.	Breakdown							
	Locked Rotor							
	Pull-Up							
	Rated Load							
Watts:	Rated Load							
Temperature Rise:	@ Rated Load							
Watts:	Rated Load							
Temperature Rise:	@ Rated Load							
Thermal Protector:	Trip Temp (°C)							
Winding Material:	Start (Auxiliary)							
	Run (Main)							

LOW SPEED

HP:	3/4							
Volts:	277	120	208	230	277	460	100	200
HZ:	60	60	60	60	60	60	50	50
Efficiency:	@ Rated Load							
Power Factor:	@ Rated Load							
Amps:	@ No Load							
	@ Rated Load							
Torques: Oz.Ft.	Breakdown				59.3			
	Locked Rotor							
	Pull-Up							
	Rated Load							
Watts:	Rated Load							
Temperature Rise:	@ Rated Load							

Notes:

DRAWING NO. PAGE REV.
6GC94BH -

Performance Data



6GC94BH

REV.

-

Dayton Manufacturing Company

Motor Description

Model: 6GC94BH
 Motor ID: 1
 Poles: 6
 Volts: 277
 Frequency: 60
 HP: 3/4
 Speed: 1075/ 3spd
 Phase: 1
 Protector: 7AM036

Test Conditions

Test Type: Run
 Test Number: 3
 Poles: 6
 Volts: 277
 Hz: 60
 Rotation:
 Special Cond:
 Speed Conn: m1
 TestBoard: Amtps Performance Fixture #3
 Run Cap: 15
 Start Cap: 0ufd
 Environment:
 Tested: 3/27/2015 3:07:53 PM
 Tested By: Sharp, Gerald
 Gear Ratio: 1:1
 Bearing Friction: -0.42 Oz-Ft
 Windage Torque: -1.67 Oz-Ft

Special Points	Vline (V)	Vaux (V)	Vcap (V)	Iline (A)	Watts	RPM	Tq (Oz-ft)	HP	Eff (%)	PF (%)
	277.0	325.3	465.1	1.516	304.1	1195	0.00	0.000	0.0	72.4
	277.0	321.5	456.7	1.698	393.0	1184	11.10	0.156	29.7	83.6
	277.0	316.3	445.5	1.986	498.2	1170	23.67	0.330	49.4	90.6
	277.0	310.7	434.7	2.283	590.1	1157	33.88	0.467	59.0	93.3
	277.0	303.2	423.1	2.635	690.0	1144	44.27	0.603	65.2	94.5
	277.0	293.8	412.7	2.988	792.1	1129	54.00	0.726	68.4	95.7
0.75 HP	277.0	291.4	410.4	3.067	814.6	1126	55.95	0.750	68.7	95.9
	277.0	283.1	402.7	3.341	891.4	1114	62.84	0.833	69.7	96.3
	277.0	271.6	393.0	3.699	986.4	1097	70.22	0.917	69.3	96.3
	277.0	260.0	382.7	4.070	1081.7	1079	76.87	0.987	68.1	95.9
1075 RPM	277.0	257.5	380.8	4.138	1098.5	1075	77.87	0.997	67.7	95.8
	277.0	247.7	372.3	4.421	1169.1	1058	81.89	1.032	65.8	95.5
	277.0	235.8	362.7	4.798	1261.4	1037	86.24	1.065	63.0	94.9
	277.0	223.7	353.1	5.175	1348.5	1013	89.82	1.083	59.9	94.1
	277.0	211.7	344.4	5.552	1431.0	988	91.64	1.078	56.2	93.0
	277.0	200.3	336.8	5.911	1504.9	960	92.67	1.059	52.5	91.9
BDT OZ-FT	277.0	194.5	333.1	6.085	1540.0	945	92.84	1.045	50.6	91.4
	277.0	188.5	329.7	6.263	1573.7	930	92.38	1.023	48.5	90.7
	277.0	177.3	323.7	6.599	1636.5	896	91.16	0.972	44.3	89.5
	277.0	166.4	318.9	6.916	1689.6	862	89.01	0.913	40.3	88.2
	277.0	155.9	315.0	7.218	1738.2	823	86.57	0.848	36.4	86.9
	277.0	145.8	311.9	7.502	1780.5	781	82.08	0.763	32.0	85.7
	277.0	136.5	309.6	7.762	1815.9	737	78.24	0.686	28.2	84.5
	277.0	127.7	308.5	8.001	1845.8	689	73.95	0.606	24.5	83.3
	277.0	119.4	307.9	8.222	1870.1	636	68.64	0.520	20.7	82.1
	277.0	111.5	307.5	8.420	1889.1	581	62.82	0.434	17.1	81.0
	277.0	103.5	307.8	8.592	1901.6	521	57.07	0.354	13.9	79.9
	277.0	96.0	308.1	8.733	1909.7	458	51.29	0.279	10.9	79.0
	277.0	89.4	309.8	8.860	1919.3	389	46.77	0.216	8.4	78.2
	277.0	84.6	312.1	8.958	1924.9	316	42.25	0.159	6.2	77.6
	277.0	80.7	315.2	9.039	1935.1	239	37.98	0.108	4.2	77.3
	277.0	78.1	317.5	9.099	1941.7	156	34.20	0.064	2.4	77.0

DRAWING NO.	PAGE 1 of 6	REV.
6GC94BH		-

Dayton Electric Mfg. Co. Lake Forest, IL 60045 USA

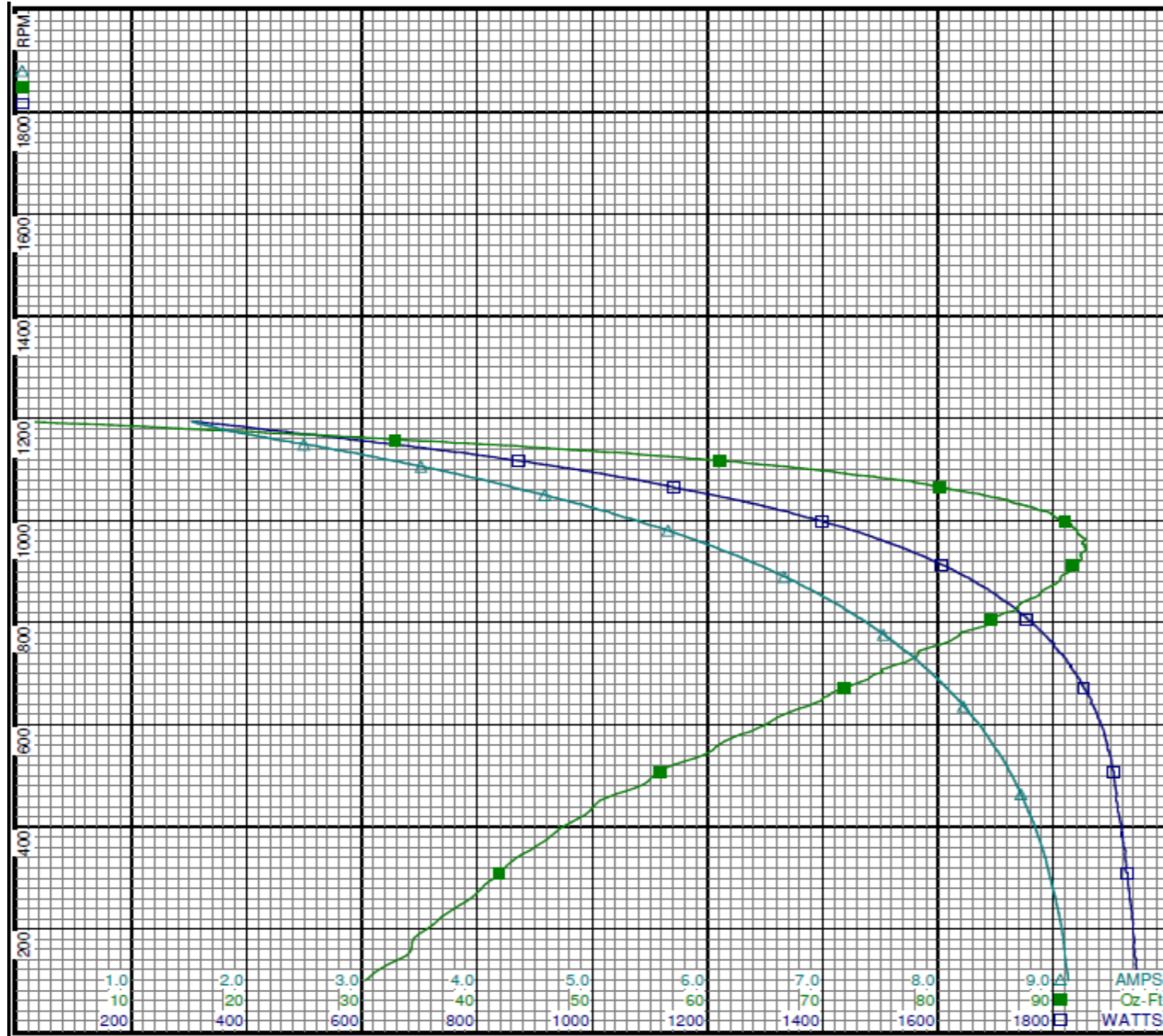
Performance Data



6GC94BH

REV.

-



Curve Descriptions:

Motor(1) Test 3 Run 277V 60 Hz 6P
m1 15ufd Run

- SPEED vs WATTS
- SPEED vs TORQUE
- △ SPEED vs ILine

Motor Ratings:

(1) K055HXHPB9534 ID: 1

6GC94BH

DRAWING NO.	PAGE 2 of 6	REV.
6GC94BH		-

Dayton Electric Mfg. Co. Lake Forest, IL 60045 USA

Performance Data



6GC94BH

REV.

-

Dayton Manufacturing Company

Motor Description

Model: 6GC94BH
 Motor ID: 1
 Poles: 6
 Volts: 277
 Frequency: 60
 HP: 3/4
 Speed: 1075/ 3spd
 Phase: 1
 Protector: 7AM036

Test Conditions

Test Type: Run
 Test Number: 6
 Poles: 6
 Volts: 277
 Hz: 60
 Rotation:
 Special Cond:
 Speed Conn: m2
 TestBoard: Amtps Performance Fixture #3
 Run Cap: 15
 Start Cap: 0µfd
 Environment:
 Tested: 3/27/2015 2:53:12 PM
 Tested By: Sharp, Gerald
 Gear Ratio: 1:1
 Bearing Friction: -0.42 Oz-Ft
 Windage Torque: -1.63 Oz-Ft

Special Points	Vline (V)	Vaux (V)	Vcap (V)	Iline (A)	Watts	RPM	Tq(Oz-ft)	HP	Eff (%)	PF (%)
	277.0	300.2	420.4	1.036	230.7	1195	0.00	0.000	0.0	80.4
	277.0	295.5	411.7	1.244	308.1	1184	8.98	0.127	30.7	89.4
	277.0	288.5	398.5	1.526	397.5	1169	19.60	0.273	51.2	94.1
	277.0	281.1	385.7	1.752	463.1	1158	27.06	0.373	60.1	95.4
	277.0	272.1	373.3	2.052	548.3	1144	35.74	0.487	66.2	96.5
	277.0	262.7	363.9	2.324	624.8	1130	43.08	0.579	69.2	97.0
	277.0	252.3	354.9	2.611	701.3	1114	49.71	0.659	70.1	97.0
	277.0	242.1	345.7	2.907	779.4	1096	55.90	0.730	69.8	96.8
	277.0	231.8	336.9	3.198	852.7	1079	60.79	0.781	68.3	96.2
1075 RPM	277.0	229.7	334.8	3.265	869.3	1075	61.80	0.791	67.9	96.1
	277.0	221.4	327.8	3.501	926.6	1060	65.11	0.821	66.1	95.5
	277.0	210.7	319.0	3.796	994.7	1038	68.47	0.846	63.4	94.6
	277.0	199.8	310.3	4.088	1060.1	1014	70.94	0.856	60.3	93.6
	277.0	188.8	302.1	4.366	1119.5	990	72.62	0.856	57.0	92.6
BDT OZ-FT	277.0	180.4	296.4	4.599	1167.2	968	73.36	0.845	54.0	91.6
	277.0	178.1	295.0	4.658	1177.2	962	73.24	0.839	53.2	91.2
	277.0	168.0	289.0	4.934	1230.7	933	72.98	0.810	49.1	90.0
	277.0	157.9	283.8	5.200	1276.8	900	71.82	0.769	44.9	88.6
	277.0	148.4	279.6	5.455	1321.6	865	70.64	0.727	41.0	87.5
	277.0	139.0	276.3	5.693	1357.7	826	68.09	0.670	36.8	86.1
	277.0	130.1	273.9	5.916	1388.8	786	65.39	0.612	32.9	84.7
	277.0	121.9	271.9	6.123	1415.5	742	62.14	0.549	28.9	83.5
	277.0	113.7	270.9	6.313	1438.4	694	58.14	0.480	24.9	82.3
	277.0	105.9	270.4	6.487	1454.9	642	53.75	0.411	21.1	81.0
	277.0	98.6	270.4	6.645	1470.0	586	49.26	0.344	17.4	79.9
	277.0	91.4	270.7	6.780	1477.8	527	44.92	0.282	14.2	78.7
	277.0	84.8	271.6	6.900	1486.3	464	40.83	0.225	11.3	77.8
	277.0	79.1	273.0	6.986	1488.9	397	37.03	0.175	8.8	76.9
	277.0	75.0	275.7	7.062	1494.0	325	33.80	0.131	6.5	76.4
	277.0	72.0	278.8	7.132	1502.7	248	30.44	0.090	4.5	76.1
	277.0	69.7	281.8	7.184	1505.4	166	27.42	0.054	2.7	75.6

DRAWING NO.	PAGE 3 of 6	REV.
	6GC94BH	-

Dayton Electric Mfg. Co. Lake Forest, IL 60045 USA

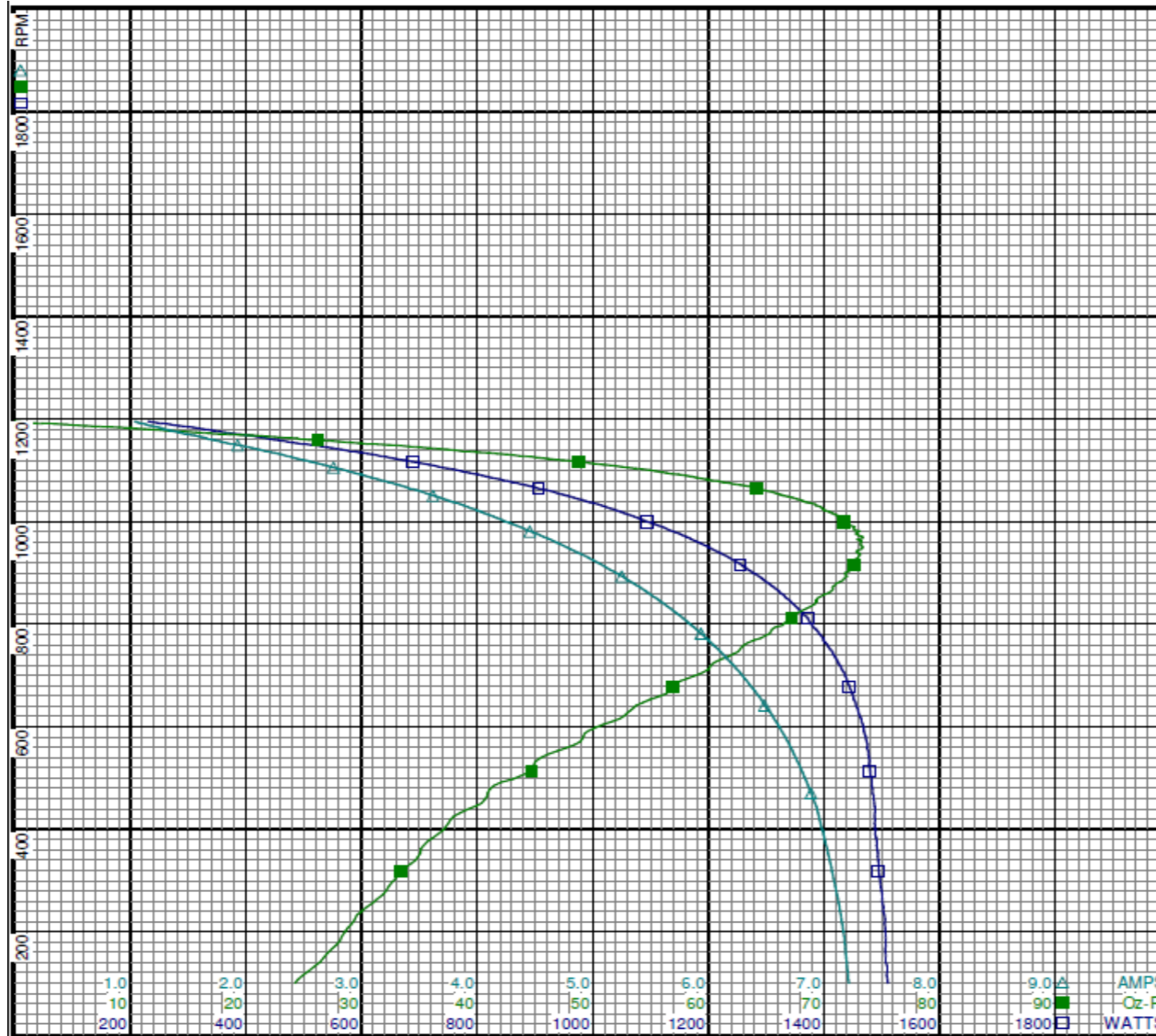
Performance Data



6GC94BH

REV.

-



Curve Descriptions:
 Motor(1) Test 6 Run 277V 60 Hz 6P
 m2 15ufd Run
 □ SPEED vs WATTS
 ■ SPEED vs TORQUE
 △ SPEED vs ILine

Motor Ratings:
 (1) K055HXHPB9534 ID: 1
 6GC94BH

DRAWING NO.	PAGE 4 of 6	REV.
6GC94BH		-

Dayton Electric Mfg. Co. Lake Forest, IL 60045 USA

Performance Data



6GC94BH

REV.

-

Dayton Manufacturing Company

Motor Description

Model: 6GC94BH
 Motor ID: 1
 Poles: 6
 Volts: 277
 Frequency: 60
 HP: 3/4
 Speed: 1075/ 3spd
 Phase: 1
 Protector: 7AM036

Test Conditions

Test Type: Run
 Test Number: 7
 Poles: 6
 Volts: 277
 Hz: 60
 Rotation:
 Special Cond:
 Speed Conn: m3
 TestBoard: Amtps Performance Fixture #3
 Run Cap: 15
 Start Cap: 0ufd
 Environment:
 Tested: 3/27/2015 2:50:37 PM
 Tested By: Sharp, Gerald
 Gear Ratio: 1:1
 Bearing Friction: -0.42 Oz-Ft
 Windage Torque: -1.65 Oz-Ft

Special Points	Vline (V)	Vaux (V)	Vcap (V)	Iline (A)	Watts	RPM	Tq(Oz-ft)	HP	Eff (%)	PF (%)
	277.0	275.8	382.5	0.814	192.9	1193	0.00	0.000	0.0	85.6
	277.0	269.9	372.9	1.013	257.8	1182	8.01	0.113	32.6	91.9
	277.0	261.5	359.2	1.245	329.8	1167	16.70	0.232	52.5	95.6
	277.0	252.4	344.4	1.443	386.6	1155	23.13	0.318	61.3	96.7
	277.0	243.6	333.3	1.688	454.5	1141	29.92	0.406	66.7	97.2
	277.0	234.7	324.3	1.921	517.4	1126	35.82	0.480	69.3	97.2
	277.0	225.6	315.8	2.158	579.8	1112	41.03	0.543	69.9	97.0
	277.0	216.6	307.6	2.386	638.9	1094	45.72	0.596	69.5	96.7
	277.0	207.1	299.2	2.626	698.2	1076	49.54	0.634	67.8	96.0
1075 RPM	277.0	206.6	298.8	2.639	701.3	1075	49.77	0.637	67.8	95.9
	277.0	197.6	290.8	2.871	756.4	1056	53.06	0.667	65.8	95.1
	277.0	188.5	283.4	3.106	810.0	1035	55.72	0.687	63.2	94.1
	277.0	178.6	275.6	3.348	862.7	1012	57.52	0.693	59.9	93.0
	277.0	169.1	268.8	3.581	910.6	986	58.54	0.687	56.3	91.8
	277.0	159.7	262.7	3.804	954.5	959	59.23	0.676	52.8	90.6
BDT OZ-FT	277.0	158.8	262.0	3.828	959.3	955	59.28	0.674	52.4	90.5
	277.0	150.4	257.1	4.026	995.7	929	58.89	0.651	48.8	89.3
	277.0	141.2	252.4	4.239	1031.8	896	58.14	0.620	44.8	87.9
	277.0	132.4	248.7	4.440	1064.0	861	56.52	0.580	40.6	86.5
	277.0	123.7	245.8	4.628	1090.6	823	54.62	0.535	36.6	85.1
	277.0	115.4	243.7	4.806	1112.1	781	52.04	0.484	32.5	83.5
	277.0	107.9	242.2	4.970	1133.4	738	49.24	0.433	28.5	82.3
	277.0	100.4	241.6	5.122	1148.2	690	46.59	0.383	24.9	80.9
	277.0	93.5	241.5	5.258	1160.9	639	43.19	0.328	21.1	79.7
	277.0	87.2	241.6	5.381	1171.2	582	39.28	0.272	17.3	78.6
	277.0	80.9	242.2	5.490	1177.4	523	35.25	0.219	13.9	77.4
	277.0	74.7	242.8	5.574	1178.3	459	31.56	0.173	10.9	76.3
	277.0	69.9	244.8	5.645	1181.1	390	29.17	0.135	8.5	75.5
	277.0	66.9	247.5	5.703	1186.1	318	26.88	0.102	6.4	75.1
	277.0	64.6	250.8	5.761	1192.6	241	24.82	0.071	4.4	74.7
	277.0	63.1	253.8	5.812	1199.1	158	21.08	0.040	2.5	74.5

DRAWING NO.	PAGE 5 of 6	REV.
6GC94BH		-

Dayton Electric Mfg. Co. Lake Forest, IL 60045 USA

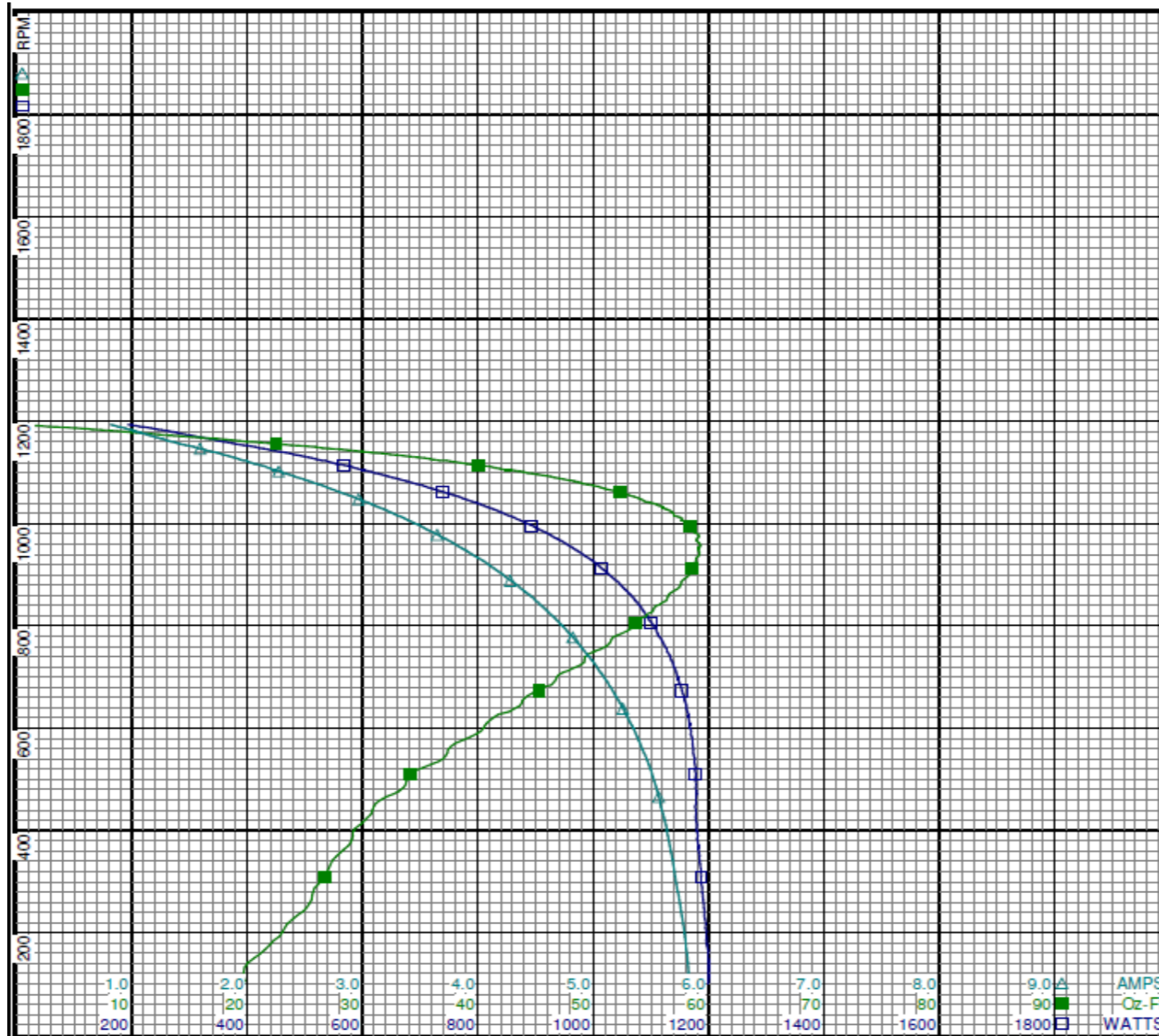
Performance Data



6GC94BH

REV.

-



Curve Descriptions:

Motor(1) Test 7 Run 277V 60 Hz 6P
m3 15ufd Run

- SPEED vs WATTS
- SPEED vs TORQUE
- △ SPEED vs ILine

Motor Ratings:

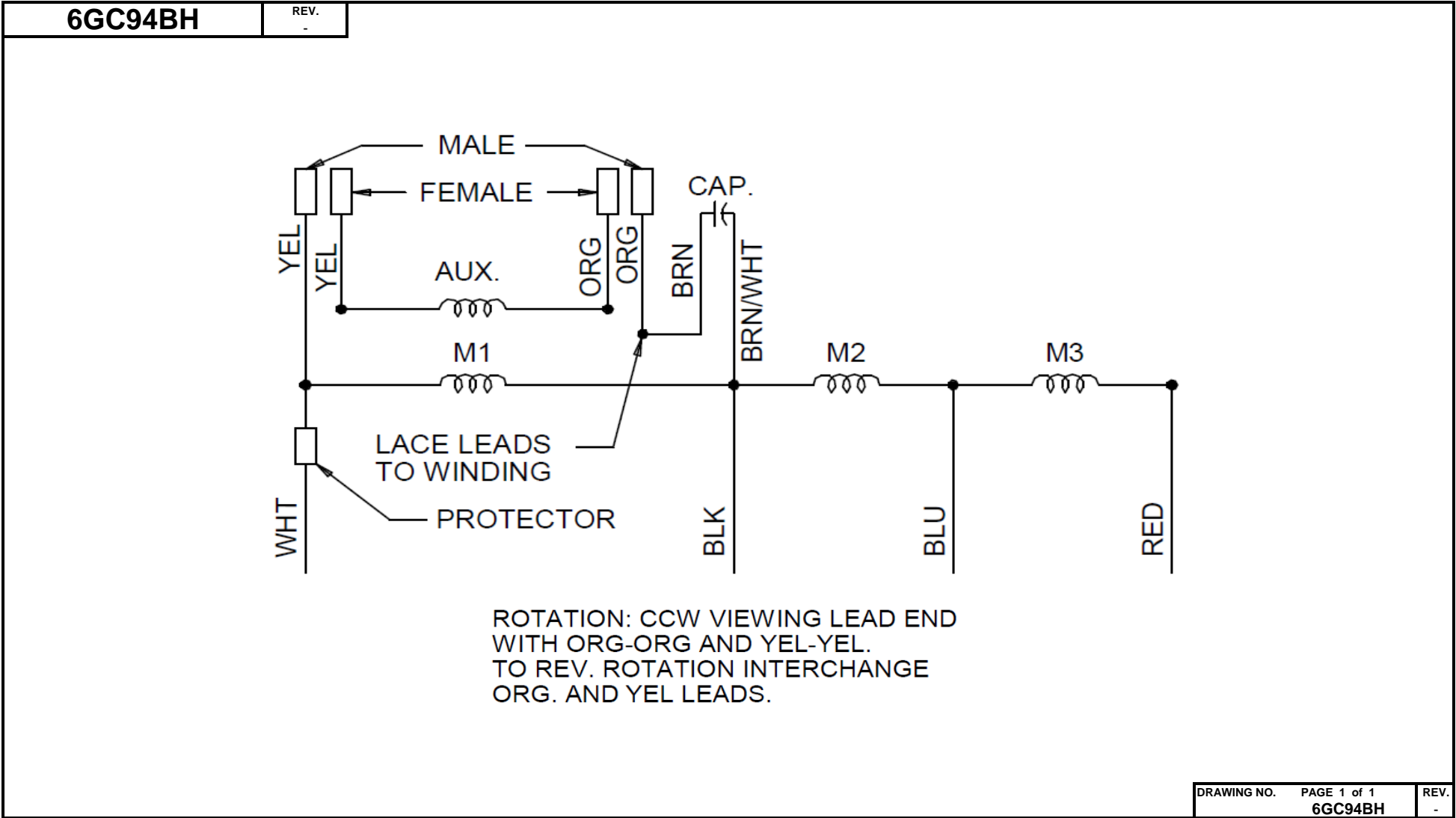
(1) K055HXHPB9534 ID: 1

6GC94BH

DRAWING NO.	PAGE 6 of 6	REV.
6GC94BH		-

Dayton Electric Mfg. Co. Lake Forest, IL 60045 USA

Wiring Diagram



Dayton®

DIRECT DRIVE BLOWER MOTOR

HP: 3/4
VOLTS: 277
AMPS: 4.1
RPM: 1075 /3SPD
DUTY: CONT
SF: 1.0
KVA CODE:
ENCL: OAO
THERMALLY PROTECTED: AUTO

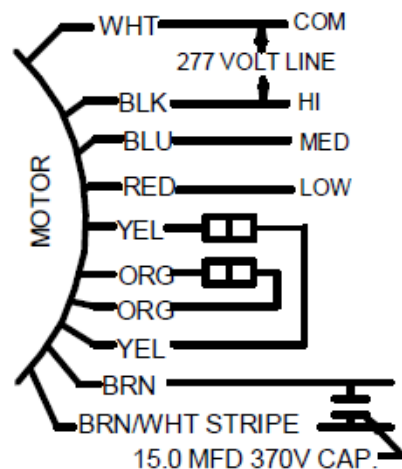
MFG. NO. **PROT. CODE:** 7A010 **AVG.F.L**
MTR REF: K55HXHPB-2328 **EFF.**

BAR CODE

Part No 6GC94BH

**Disconnect Power Before Making Any
Electrical Connections or Changes**

TO REVERSE ROTATION
INTERCHANGE ORG AND YEL LEADS



E37403



258501

Mfd for Dayton Electric Mfg. Co., Lake Forest, IL 60045 USA

Made In China