

Ordering Information

Description	UPC	Catalog Number
Metallic Back Box, 60A, 1 1/2", Angled, Aluminum	783585390727	BB602W

Device Color
Aluminum

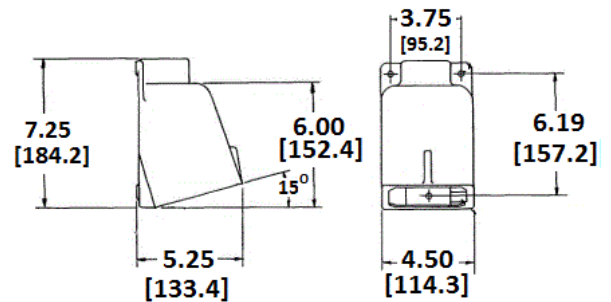


Standards

UL Raintight and External Icing Test
CSA Certified

Specifications

Accessory Item	Cast Aluminum Back Box
Box Hub Size	1 1/2" NPT
Back Box	15 Degree Angle
IEC Pin & Sleeve Accessory Type	60 and 63A



Performance

Environmental

Moisture Resistance IP67 Suitability

Online Resources

Customer Use Drawing
eCatalog