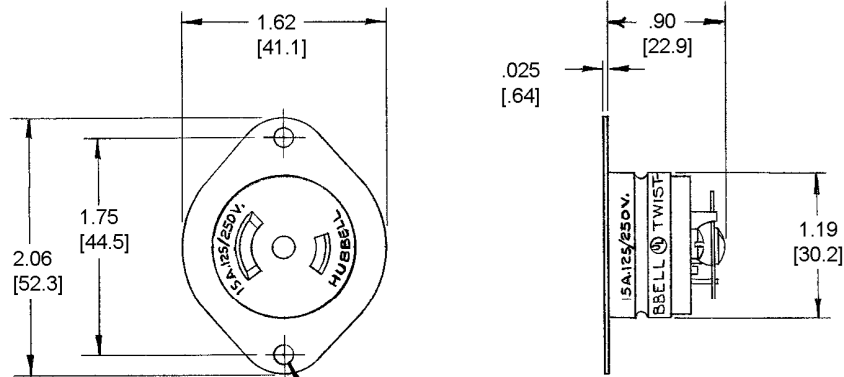


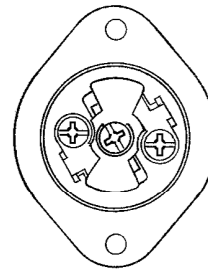
M-1829 8



.156±.010 DIA. MOUNTING HOLES
[4.0]

NOTES:

1. WIRE CAPACITY #18-#14 AWG, SOLID OR STRANDED COPPER WIRE ONLY.
2. ALL DIMENSIONS IN INCHES.
[mm]



LIST OF PARTS		
DESCRIPTION	MATERIAL	FINISH
BODY	POLYESTER	BLACK
CONTACT SPR. BIND. PL.	031 BRONZE	
CENTER CONTACT	BRASS	
BINDING SCREWS	BRASS	
INSULATING BARRIER	NYLON	BLACK
CUPPED WASHER	BRASS	
INSULATOR	NYLON	NATURAL
CASING	STAIN. STEEL	
NEUTRAL BIND. SCR.	BRASS	NICKEL PL.

SYM	REVISIONS	APP	DATE
8	PARTS LIST: BODY MATERIAL POLYESTER WAS PHENOLIC PER DCN 22625 RM	DJP	10/2/17
7	PICTORIAL CHANGE TO BOTTOM VIEW TO SHOW COMBO DRIVE SCREWS PER DCN 23087 RM	DJP	5/23/17
6	FRONT VIEW, REMOVED TWO HOLES PER DCN 18252 SPN	DJP	8/17/11
5	ADDED TOLERANCE TO .156 DIA CALLOUT; CASING: STAIN. STEEL WAS BRASS PER DCN 16134 RCM	DJP	11/18/09
4	ADDED NOTES 1 & 2; REMOVED 7487 & ADDED HBL7487; REVISED TITLE; CONVERTED ALL DIMS. TO DECIMAL & METRIC; ADDED .025 DIM. PER DCN 11902 RCM	JPP	1/20/05

SUPERSEDES DWG. DATED 8-13-42

TITLE
15A 125/250V 3 WIRE
MIDGET TWIST-LOCK
FLANGED RECEPTACLE
NEMA ML-3R

TOLERANCES UNLESS OTHERWISE SPECIFIED		HARVEY HUBBELL, INC.	
FRACTIONS ± 1/64		SHELTON, CT.	
DECIMALS ± .005		DR. BY ASM	APP. BY
ANGLES ± 2°		TR. BY	SCALE FULL
		CHK'D. BY J.C.H.	DATE 2-8-66

CODE 74545

DIMENSION SHEET FOR CAT. NO. HBL7487
 REPAIRABLE NON-REPAIRABLE
 B M-1829 0