

Wallplates
 Weatherproof Covers for Duplex, GFCI,
 Surge Receptacles and Style Line® Devices



Ordering Information

Description	Catalog Number	UPC
Duplex opening, standard Box Mounting, vertical	HBL5222	783585809168

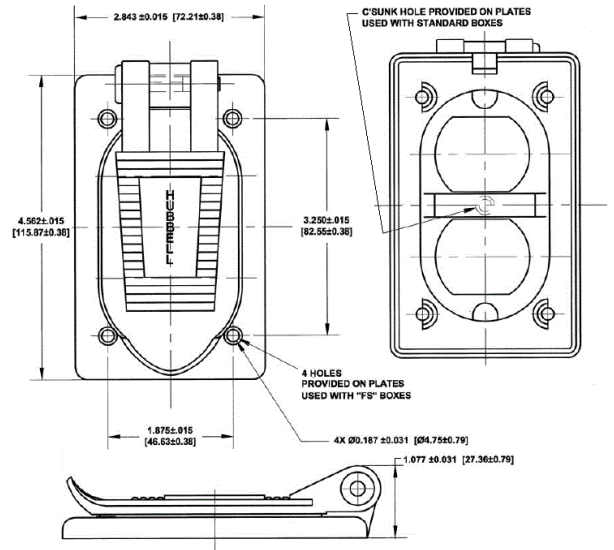


Listings

UL Listed
 CSA Certified

Specifications

Material	Thermoplastic
Spring	Stainless Steel
Gasket	Neoprene



Online Resources

Customer Use Drawing
 eCatalog
 Installation Instructions

Dimensions in Inches (mm)

Hubbell Wiring Device-Kellems • Hubbell Incorporated (Delaware) • 40 Waterview Drive • Shelton, CT 06484

Phone (800) 288-6000 • Fax (800) 255-1031 • Specifications subject to change without notice.

