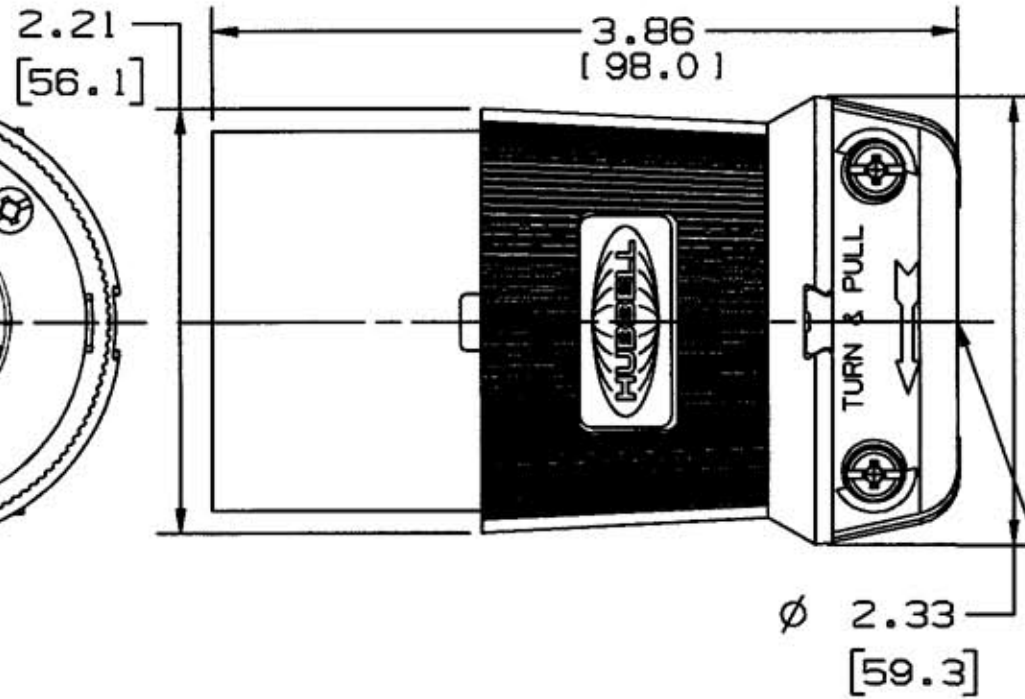
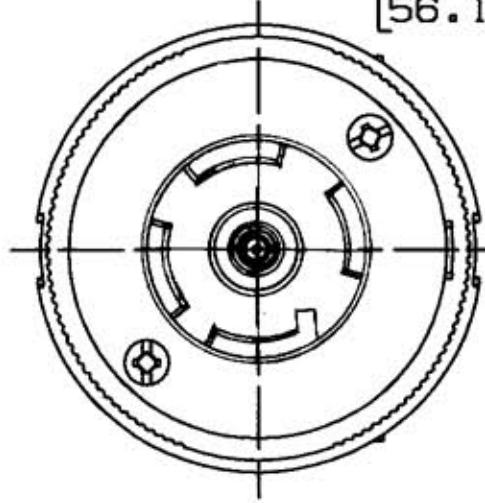
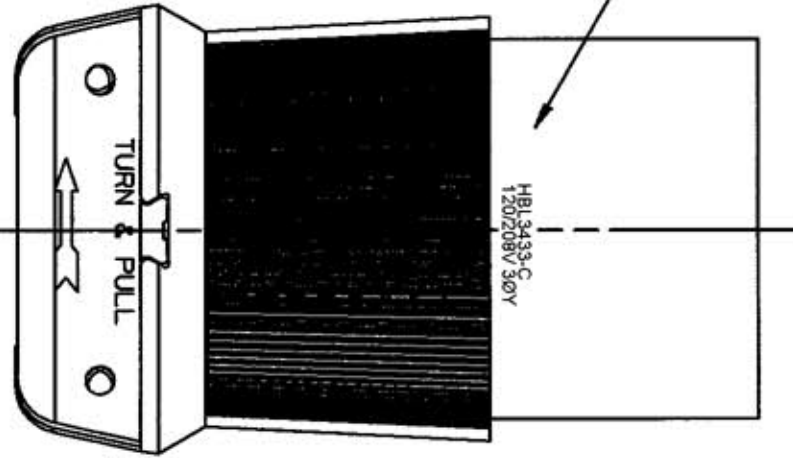


M-6339

3

CAT NO. & RATING PRINTED ON CONTACT BODY, COLOR CODE BY VOLTAGE



CORD CLAMP RANGE  
Ø .35-1.15  
[ 9-29 ]

CAT. NO.	RATING	UL
HBL3433-C	4 POLE 4 WIRE 120/208V. 3ØY	YES
HBL3433GCB	3 POLE 4 WIRE 250 VAC	NO

LEGEND:  
IN.  
[ mm ]

NOTES:

- ALL SCREWS ARE COMBINATION PHILLIPS/SLOTTED/ROBERTSON HEAD.
- > INDICATES EVALUATED BY UL IN ACCORDANCE WITH IEC 309-1

LIST OF PARTS

DESCRIPTION	MATERIAL	FINISH
BODY	NYLON	NATURAL
RETAINER	POLY CARBONATE	CLEAR
OUTER SPRING	.040 BRASS	
WIRE CLAMP	.080 C.R.S.	NICKEL PLATE
INNER SPRING	.031 BRASS	
COVER	NYLON	BLACK
AUX JAW INSERT	NYLON	BLACK
CORD CLAMP	NYLON	NATURAL
TERMINAL SCREWS	BRASS	**

\*\* WHITE- NEUTRAL  
GREEN- GROUND  
BRASS- LINE

SYM	REVISIONS	APP	DATE
3	UPDATED VIEWS. RETAINER MAT. POLY WAS LEXAN. ADDED HBL SUFFIX TO CAT. NO PER DCN 8996 MYA	CJC	10/16/01
2	NUMEROUS CHANGES, SEE RECORD PRINT PER DCN 4114. DJG	JZ	6-13-96
1	3430-GCB WAS 3433-GC. 08 D.C. 100V AC. REMOVED FROM TABLE DCN 2941		8-30-94

THE DESIGN AND DIMENSIONS OF THE PRODUCT SHOWN ON THIS DRAWING ARE SUBJECT TO CHANGE WITHOUT NOTICE

TITLE  
30A. TWIST-LOCK CONNECTORS  
NON-NEMA

TOLERANCES UNLESS OTHERWISE SPECIFIED		WIRING DEVICE-KELLEMS HUBBELL INCORPORATED BRIDGEPORT, CT	
FRACTIONS	± 1/64	DR. BY	A.J.L. APP. BY
DECIMALS	± .005	TR. BY	SCALE FULL
ANGLES	± 2'	CHK'D BY	DATE 3/22/83