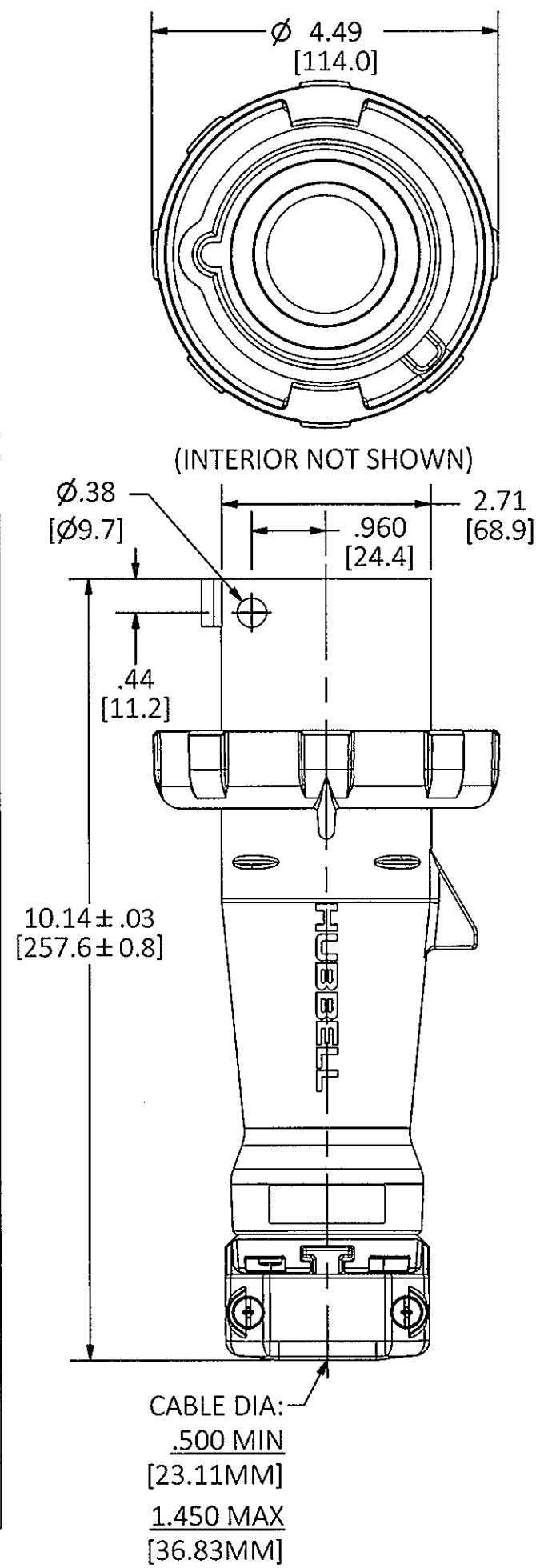


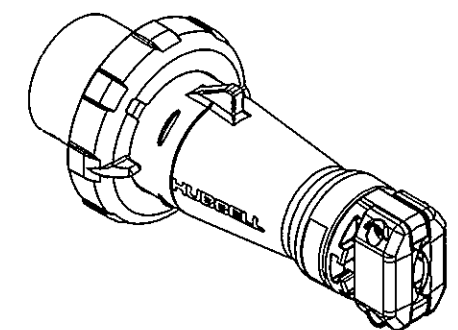
M-13332

1

| CAT. NO. | CONFIG. | RATING | HOUSING COLOR | PILOT |
|-------------|---|---|---------------|-------|
| HBL460P5W |  | 60A 600VAC 3Ø | BLACK | NO |
| HBL460P5WP |  | 60A 600VAC 3Ø | BLACK | YES |
| HBL460P5WR |  | 60A 600VAC 3Ø | BLACK | NO |
| HBL460P6W |  | 60A 380-415VAC 3Ø 63A - 6h/380-415V~ | RED | NO |
| HBL460P6WP |  | 60A 380-415VAC 3Ø 63A - 6h/380-415V~ | RED | YES |
| HBL460P6V02 |  | 60A 380-415VAC 3Ø 63A - 6h/380-415V~ | RED | NO |
| HBL460P7W |  | 60A 480VAC 3Ø | RED | NO |
| HBL460P7WP |  | 60A 480VAC 3Ø | RED | YES |
| HBL460P7V05 |  | 60A 480VAC 3Ø | RED | NO |
| HBL460P7WR |  | 60A 480VAC 3Ø | RED | NO |
| HBL460P9W |  | 60A 250VAC 3Ø 63A - 9h/200-250V~ | BLUE | NO |
| HBL460P9WP |  | 60A 250VAC 3Ø 63A - 9h/200-250V~ | BLUE | YES |
| HBL460P9V05 |  | 60A 250VAC 3Ø 63A - 9h/200-250V~ | BLUE | NO |
| HBL460P9WR |  | 60A 250VAC 3Ø | BLUE | NO |
| HBL460P12W |  | 60A 125/250VAC | ORANGE | NO |
| HBL460P12WP |  | 60A 125/250VAC | ORANGE | YES |
| HBL460P12WR |  | 60A 125/250VAC | ORANGE | NO |




| LIST OF PARTS | | |
|---------------|-----------|--------|
| DESCRIPTION | MATERIAL | FINISH |
| HOUSING | PBT | |
| GASKET | RUBBER | |
| LOCKING RING | PBT | |
| INTERIOR | THERMOSET | |
| PINS | BRASS | |
| TERM. SCREWS | ST. STEEL | |
| GLAND CAP | PBT | |
| GLANDS | RUBBER | |
| CLAMPS | PBT | |
| CLAMP NUTS | BRASS | NICKEL |
| ASSY SCREWS | ST. STEEL | |



| | | | |
|-----|---|-----|---------|
| 1 | INITIAL RELEASE PER DCN 21982 Mr. B. [Signature] | TLS | 3/10/16 |
| REV | DESCRIPTION | APP | DATE |

THE DESIGN AND DIMENSIONS OF THE PRODUCT SHOWN ON THIS DRAWING ARE SUBJECT TO CHANGE WITHOUT NOTICE. DIMENSIONS ARE IN INCHES [mm].

TITLE
60A & 63A 3 POLE 4 WIRE PIN AND SLEEVE PLUGS

| | | | |
|--|-----------------|--|----------------|
|  | | WIRING DEVICE-KELLEMS HUBBELL INCORPORATED SHELTON, CT | |
| TOLERANCES UNLESS OTHERWISE SPECIFIED .XX = ± .01 .XXX = ± .005 ANGLE TOL. ± 2' | DR. BY Mr. B | SCALE 1:2 | DATE 3/2/16 |
| | CHK. BY TLS | | |

DIMENSION SHEET FOR CAT. NO. M-13332 SEE TABLE 1