

# Straight Blade Devices 15A, 125V, 2 Pole, 2 Wire Non-Grounding Valise® Plug

# HUBBELL

## Features

- Hinged one piece body design for easy assembly
- Two captive multiple drive assembly screws
- Powerful cord grips prevent conductor slippage and strain
- Non-polarized blades

## Ordering Information

Description	Cord Diameter	UPC	Catalog Number
Yellow nylon, non-polarized	.218"-.385"(5.5-9.8 )	783585013060	HBL5865VY

## Listings

UL Listed to UL498 File E1706  
CSA Certified to C22.2 No. 42 File 280C  
NEMA® WD-6 Compliant

## Specifications

Housing	Nylon
Blades	Brass
Assembly Screws	Plated Steel
Cable Inserts	PPO
Terminal Screws	Brass
Terminal Clamp	Nickel plated steel
Assembly Screws	Plated steel

## Performance

### Electrical

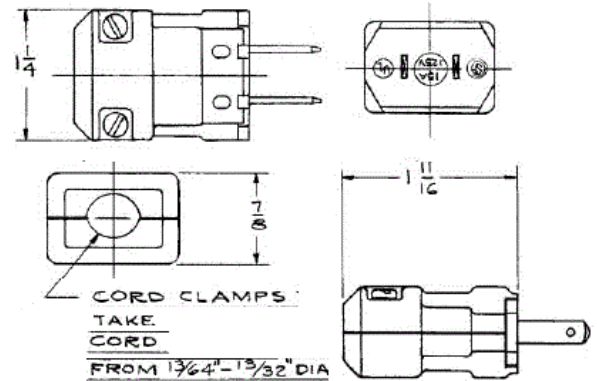
Current Interrupting Certified for current interrupting at full rated current  
Dielectric Voltage Withstands 2,000V minimum

### Mechanical

Product Identification Molded Rating on Device Face  
Terminal Accommodation #18-#14 AWG stranded copper wire only  
Terminal Identification Terminals identified in accordance with UL 498 and CSA

### Environmental

Flammability UL 94 HB  
IP Suitability IP20  
Operating Temperatures Maximum continuous 75°C; minimum -40°C (w/o impact)



## Resources

Customer Use Drawing  
eCatalog

Dimensions in Inches (mm)

Hubbell Wiring Device-Kellems • Hubbell Incorporated (Delaware) • 40 Waterview Drive • Shelton, CT 06484

Phone (800) 288-6000 • Fax (800) 255-1031 • Specifications subject to change without notice.

