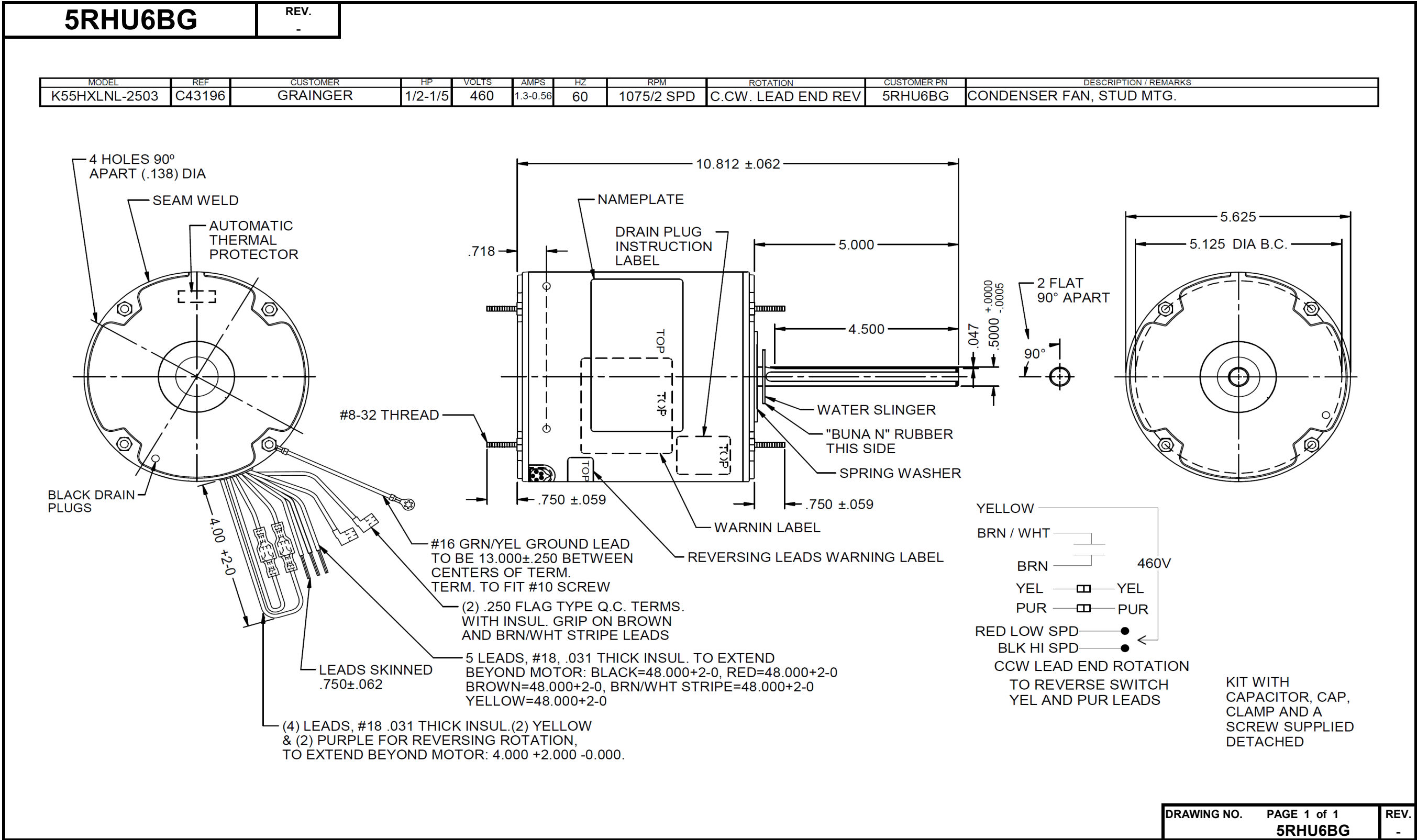


# Dimensional Drawing



DRAWING NO. PAGE 1 of 1 REV.  
5RHU6BG -

©2020 W.W. Grainger, Inc. This design may not be reproduced, modified or redistributed without written permission from W.W. Grainger, Inc.

# Performance Data



**5RHU6BG**

REV.  
-

## SHADED-POLE & PSC MOTOR PERFORMANCE

<b>HP:</b>	1/5								
<b>Poles:</b>	6								
<b>Ambient (°C):</b>	70								
<b>Altitude (FASL):</b>	NA								
<b>No. of Speeds:</b>	2								
<b>HIGH SPEED</b>									
<b>Volts:</b>	460	<b>460</b>	<b>460</b>						
<b>HZ:</b>	60	<b>60</b>	<b>60</b>						
<b>Service Factor:</b>	1.0	1/2 HP	1/5 HP						
<b>Efficiency:</b>	@ Rated Load	68.00	64.50						
<b>Power Factor:</b>	@ Rated Load	91.80	91.70						
<b>Amps:</b>	@ No Load								
	@ Rated Load	1.30	0.55						
	@ Locked Rotor	3.27	3.27						
<b>RPM:</b>	@ Rated Load	1114.00	1153.00						
<b>Torques:</b>	Breakdown	50.30	30.36						
	Locked Rotor	8.65	8.65						
	Pull-Up	8.65	8.65						
	Rated Load	37.70	14.57						
	Service Factor	37.70	14.57						
<b>Watts:</b>	Rated Load	548.40	231.30						
<b>Temperature Rise:</b>	@ Rated Load								
<b>Thermal Protector:</b>	Trip Temp (°C)	CU	CU						
<b>Winding Material:</b>	Start (Auxiliary)	AL	AL						
	Run (Main)								
<b>Capacitor(s):</b>	Run (MFD / Volts)	10							
	No. of Run Capacitors								
<b>MEDIUM-HIGH SPEED</b>									
<b>HP:</b>									
<b>Volts:</b>									
<b>HZ:</b>									
<b>Efficiency:</b>	@ Rated Load								
<b>Power Factor:</b>	@ Rated Load								
<b>Amps:</b>	@ No Load								
	@ Rated Load								
	@ Locked Rotor								
<b>Torques:</b> <b>Oz.Ft. / Lb.In.</b> (Circle One)	Breakdown								
	Locked Rotor								
	Pull-Up								
	Rated Load								
<b>Watts:</b>	@ Rated Load								
<b>Temperature Rise:</b>	@ Rated Load								

DRAWING NO. PAGE 1 of 1 REV.  
5RHU6BG -

Dayton Electric Mfg. Co. Lake Forest, IL 60045 USA

**5RHU6**

REV.

-

## SHADED-POLE & PSC MOTOR PERFORMANCE

### MEDIUM-LOW SPEED

HP:		120	208	230	277	460	100	200
<b>Volts:</b>		120	208	230	277	460	100	200
<b>HZ:</b>		60	60	60	60	60	50	50
<b>Efficiency:</b>	@ Rated Load							
<b>Power Factor:</b>	@ Rated Load							
<b>Amps:</b>	@ No Load							
	@ Rated Load							
<b>Torques:</b> Oz.Ft. / Lb.In. (Circle One)	Breakdown							
	Locked Rotor							
	Pull-Up							
	Rated Load							
<b>Watts:</b>	Rated Load							
<b>Temperature Rise:</b>	@ Rated Load							
<b>Thermal Protector:</b>	Trip Temp (°C)							
<b>Winding Material:</b>	Start (Auxiliary)							
	Run (Main)							

### LOW SPEED

HP:		120	208	230	277	460	100	200
<b>Volts:</b>		120	208	230	277	460	100	200
<b>HZ:</b>		60	60	60	60	60	50	50
<b>Efficiency:</b>	@ Rated Load							
<b>Power Factor:</b>	@ Rated Load							
<b>Amps:</b>	@ No Load							
	@ Rated Load							
<b>Torques:</b> Oz.Ft. / Lb.In. (Circle One)	Breakdown							
	Locked Rotor							
	Pull-Up							
	Rated Load							
<b>Watts:</b>	Rated Load							
<b>Temperature Rise:</b>	@ Rated Load							

Notes:

DRAWING NO. PAGE REV.  
5RHU6 -

# Performance Data



**5RHU6BG**      REV.  
-

## Dayton Manufacturing Company

### Motor Description

Model: K55HXLNL-2503 5RHU6BG  
 Motor ID: 1-1  
 Poles: 6  
 Volts: 460  
 Frequency: 60  
 HP: 1/2-1/5  
 Speed: 1105-1130  
 Phase: 1  
 Protector: 7AM036-A5

### Test Conditions

Test Type: Run      Run Cap: 10  
 Test Number: 2      Start Cap: 0µfd  
 Poles: 6      Environment:  
 Volts: 460      Tested: 6/9/2016 2:59:45 PM  
 Hz: 60      Tested By: Navarro, Susana  
 Rotation:      Gear Ratio: 1:1  
 Special Cond:      Bearing Friction: -0.13 Oz-Ft  
 Speed Conn: M1      Windage Torque: -0.71 Oz-Ft  
 TestBoard: CMD InLine Three Phase #2 Fixture #1

Special Points	Vline (V)	Vaux (V)	Vcap (V)	Iline (A)	Watts	RPM	Tq (Oz-ft)	HP	Eff (%)	PF (%)
	460.0	316.6	379.8	0.485	150.5	1196	0.00	0.000	0.0	67.5
	460.0	317.4	377.5	0.502	166.0	1193	1.87	0.027	11.9	72.0
	460.0	317.9	373.7	0.529	190.1	1189	4.45	0.063	24.7	78.1
	460.0	319.6	366.8	0.584	226.8	1183	8.54	0.120	39.5	84.4
	460.0	322.7	358.3	0.652	264.3	1175	12.97	0.181	51.2	88.1
	460.0	327.0	346.2	0.769	318.8	1165	18.50	0.257	60.1	90.1
<b>24.82 OZ-FT</b>	<b>460.0</b>	<b>327.9</b>	<b>332.7</b>	<b>0.935</b>	<b>392.7</b>	<b>1152</b>	<b>25.03</b>	<b>0.343</b>	<b>65.2</b>	<b>91.3</b>
	460.0	326.8	324.1	1.049	442.7	1140	29.67	0.403	67.9	91.7
<b>MAX %</b>	<b>460.0</b>	<b>324.2</b>	<b>311.7</b>	<b>1.220</b>	<b>515.3</b>	<b>1123</b>	<b>35.51</b>	<b>0.475</b>	<b>68.7</b>	<b>91.8</b>
<b>38.56 OZ-FT</b>	<b>460.0</b>	<b>322.2</b>	<b>304.5</b>	<b>1.325</b>	<b>559.0</b>	<b>1112</b>	<b>38.56</b>	<b>0.511</b>	<b>68.1</b>	<b>91.7</b>
	460.0	320.4	298.9	1.409	592.6	1103	40.74	0.535	67.4	91.5
	460.0	315.8	287.4	1.586	661.6	1082	44.75	0.576	65.0	90.7
	460.0	310.0	276.1	1.778	732.7	1056	47.90	0.602	61.3	89.6
<b>MAX HP</b>	<b>460.0</b>	<b>305.8</b>	<b>269.6</b>	<b>1.896</b>	<b>773.9</b>	<b>1037</b>	<b>49.38</b>	<b>0.610</b>	<b>58.8</b>	<b>88.7</b>
	460.0	303.4	266.2	1.964	796.9	1027	49.79	0.608	57.0	88.2
<b>BDT OZ-FT</b>	<b>460.0</b>	<b>296.3</b>	<b>257.8</b>	<b>2.144</b>	<b>855.0</b>	<b>994</b>	<b>50.53</b>	<b>0.598</b>	<b>52.1</b>	<b>86.7</b>
	460.0	296.3	257.8	2.144	855.0	994	50.53	0.598	52.1	86.7
	460.0	289.0	251.5	2.307	903.5	958	50.07	0.571	47.1	85.1
	460.0	281.1	246.7	2.468	947.5	916	48.52	0.529	41.6	83.5
	460.0	273.4	244.0	2.607	980.9	871	46.20	0.479	36.4	81.8
	460.0	265.8	242.6	2.736	1009.5	821	43.44	0.425	31.4	80.2
	460.0	258.4	242.5	2.849	1031.4	766	39.99	0.365	26.4	78.7
	460.0	251.7	243.2	2.946	1047.6	709	36.44	0.308	21.9	77.3
	460.0	244.9	244.7	3.033	1060.4	643	32.59	0.249	17.6	76.0
	460.0	238.6	246.5	3.109	1069.3	573	28.64	0.195	13.6	74.8
	460.0	232.7	248.6	3.170	1073.9	497	24.46	0.145	10.0	73.7
	460.0	227.2	250.9	3.211	1075.0	416	21.88	0.108	7.5	72.8
	460.0	221.7	254.4	3.242	1079.9	330	20.36	0.080	5.5	72.4
	460.0	216.6	258.0	3.272	1087.0	234	17.99	0.050	3.4	72.2
	460.0	210.5	262.5	3.293	1090.9	119	13.47	0.019	1.3	72.0

DRAWING NO.      PAGE 1 of 4      REV.  
**5RHU6BG**      -

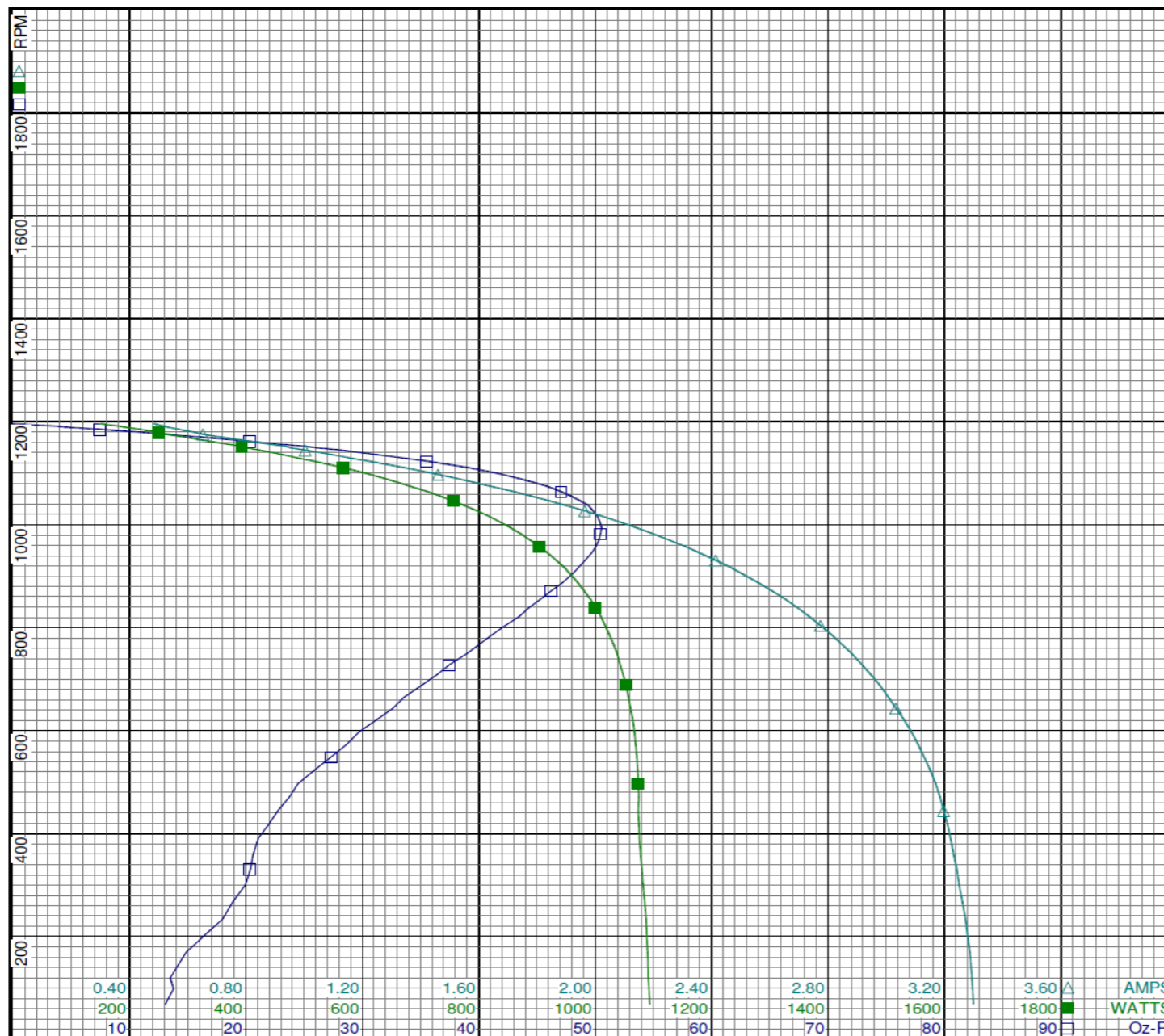
# Performance Data



5RHU6BG

REV.

-



Curve Descriptions:

Motor(1) Test 2 Run 460V 60 Hz 6P  
M1 10ufd Run

- SPEED vs TORQUE
- SPEED vs WATTS
- △ SPEED vs ILine

Motor Ratings:

(1) K55HXLNL-2503 ID: 1-1  
5RHU6BG

DRAWING NO.	PAGE 2 of 4	REV.
5RHU6BG		-

Dayton Electric Mfg. Co. Lake Forest, IL 60045 USA

# Performance Data



<b>5RHU6BG</b>	REV. -
----------------	-----------

## Dayton Manufacturing Company

### Motor Description

Model: K55HXLNL-2503 5RHU6BG  
 Motor ID: 1-1  
 Poles: 6  
 Volts: 460  
 Frequency: 60  
 HP: 1/2-1/5  
 Speed: 1105-1130  
 Phase: 1  
 Protector: 7AM036-A5

### Test Conditions

Test Type: Run  
 Test Number: 3  
 Poles: 6  
 Volts: 460  
 Hz: 60  
 Rotation:  
 Special Cond:  
 Speed Conn: M2  
 TestBoard: CMD InLine Three Phase #2 Fixture #1  
 Run Cap: 10  
 Start Cap: 0µfd  
 Environment:  
 Tested: 6/9/2016 3:09:07 PM  
 Tested By: Navarro, Susana  
 Gear Ratio: 1:1  
 Bearing Friction: -0.13 Oz-Ft  
 Windage Torque: -0.16 Oz-Ft

Special Points	Vline (V)	Vaux (V)	Vcap (V)	Iline (A)	Watts	RPM	Tq (Oz-ft)	HP	Eff (%)	PF (%)
	460.0	249.8	308.3	0.253	93.2	1196	0.00	0.000	0.0	80.2
	460.0	250.2	306.0	0.270	103.8	1193	1.26	0.018	12.8	83.6
	460.0	250.5	302.0	0.297	118.7	1189	2.88	0.041	25.6	86.8
	460.0	250.7	295.8	0.334	138.2	1183	5.10	0.072	38.8	89.9
	460.0	253.2	285.1	0.385	162.2	1175	7.80	0.109	50.2	91.5
	460.0	257.7	272.1	0.463	195.0	1165	11.19	0.155	59.4	91.6
	460.0	258.4	262.3	0.547	231.2	1154	14.66	0.201	65.0	91.9
<b>15.3 OZ-FT</b>	<b>460.0</b>	<b>258.2</b>	<b>260.4</b>	<b>0.564</b>	<b>238.5</b>	<b>1151</b>	<b>15.30</b>	<b>0.210</b>	<b>65.6</b>	<b>91.9</b>
	460.0	257.1	252.2	0.642	271.9	1139	18.01	0.244	67.0	92.1
<b>19.41 OZ-FT</b>	<b>460.0</b>	<b>256.0</b>	<b>248.2</b>	<b>0.680</b>	<b>287.6</b>	<b>1133</b>	<b>19.41</b>	<b>0.262</b>	<b>67.9</b>	<b>91.9</b>
<b>MAX %</b>	<b>460.0</b>	<b>255.5</b>	<b>246.2</b>	<b>0.700</b>	<b>295.8</b>	<b>1129</b>	<b>20.29</b>	<b>0.273</b>	<b>68.8</b>	<b>91.9</b>
	460.0	254.6	242.0	0.742	313.4	1123	21.46	0.287	68.3	91.8
	460.0	250.5	229.3	0.874	365.6	1100	24.57	0.322	65.7	90.9
	460.0	247.3	221.3	0.962	399.2	1082	26.89	0.346	64.7	90.2
	460.0	242.5	211.7	1.078	440.9	1056	28.70	0.361	61.0	88.9
<b>MAX HP</b>	<b>460.0</b>	<b>239.1</b>	<b>206.2</b>	<b>1.151</b>	<b>465.6</b>	<b>1037</b>	<b>29.62</b>	<b>0.366</b>	<b>58.6</b>	<b>88.0</b>
	460.0	237.3	203.7	1.186	477.1	1027	29.85	0.365	57.1	87.4
<b>BDT OZ-FT</b>	<b>460.0</b>	<b>231.3</b>	<b>196.7</b>	<b>1.298</b>	<b>512.2</b>	<b>994</b>	<b>30.30</b>	<b>0.358</b>	<b>52.2</b>	<b>85.8</b>
	460.0	231.3	196.7	1.298	512.2	994	30.30	0.358	52.2	85.8
	460.0	225.5	191.6	1.397	540.6	958	30.20	0.344	47.5	84.1
	460.0	219.2	187.8	1.494	566.3	917	29.16	0.318	41.9	82.4
	460.0	213.0	185.6	1.578	585.6	872	27.79	0.288	36.7	80.6
	460.0	206.8	184.8	1.656	601.3	822	26.32	0.258	32.0	79.0
	460.0	200.9	185.1	1.725	613.5	768	24.20	0.221	26.9	77.3
	460.0	195.4	185.9	1.786	622.7	709	21.68	0.183	21.9	75.8
	460.0	190.0	187.5	1.837	628.7	644	19.40	0.149	17.7	74.4
	460.0	184.9	189.1	1.883	633.2	574	17.06	0.117	13.7	73.1
	460.0	180.1	191.1	1.917	633.8	499	14.46	0.086	10.1	71.9
	460.0	176.0	192.7	1.939	632.0	416	13.06	0.065	7.6	70.9
	460.0	171.9	195.4	1.955	634.6	331	12.63	0.050	5.8	70.6
	460.0	167.7	198.7	1.977	640.4	237	11.45	0.032	3.8	70.4
	460.0	163.0	202.3	1.993	642.6	137	9.02	0.015	1.7	70.1

DRAWING NO.	PAGE 3 of 4	REV.
	<b>5RHU6BG</b>	-

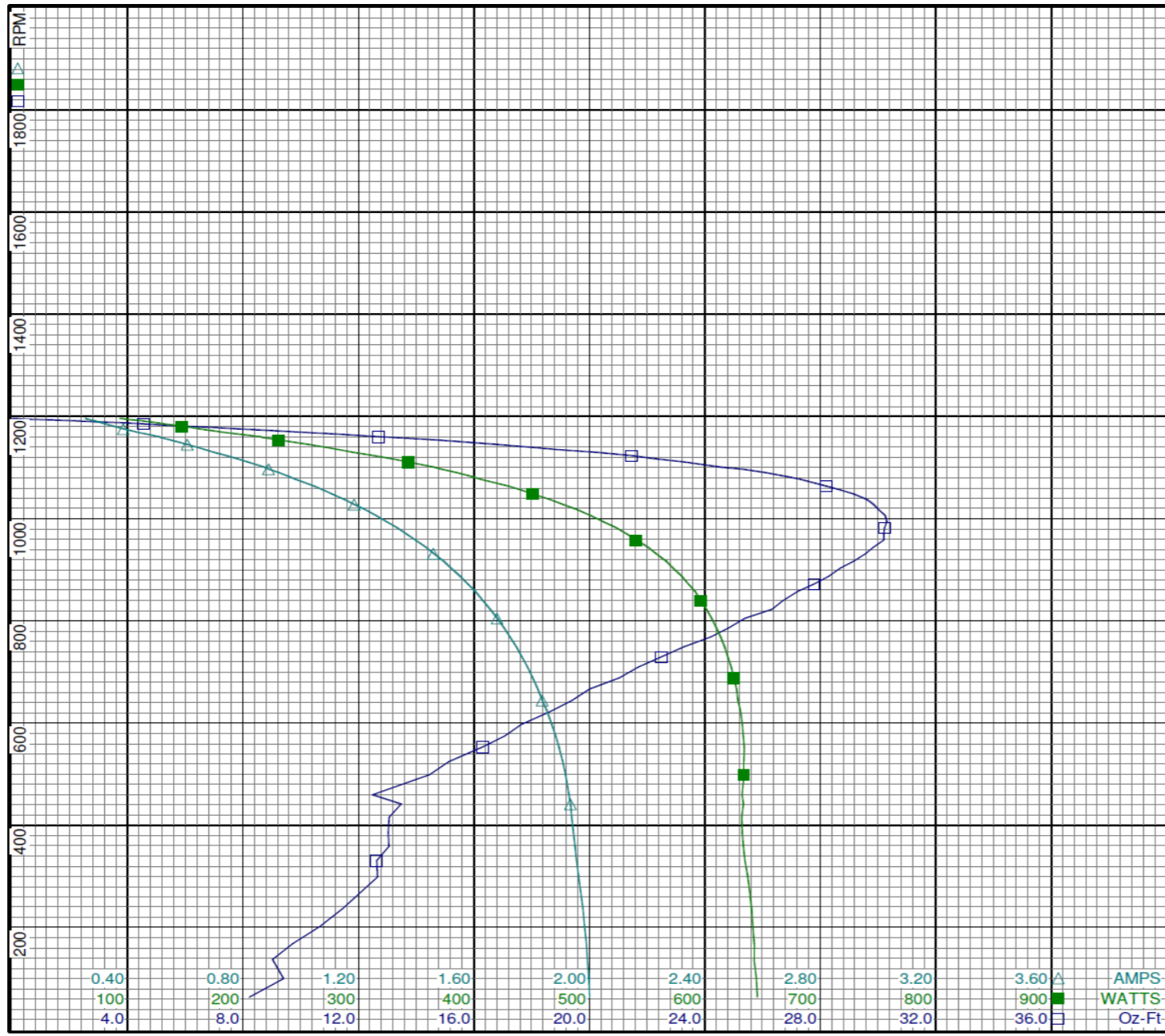
# Performance Data



5RHU6BG

REV.

-



Curve Descriptions:

Motor(1) Test 3 Run 460V 60 Hz 6P  
M2 10ufd Run

- SPEED vs TORQUE
- SPEED vs WATTS
- △ SPEED vs ILine

Motor Ratings:

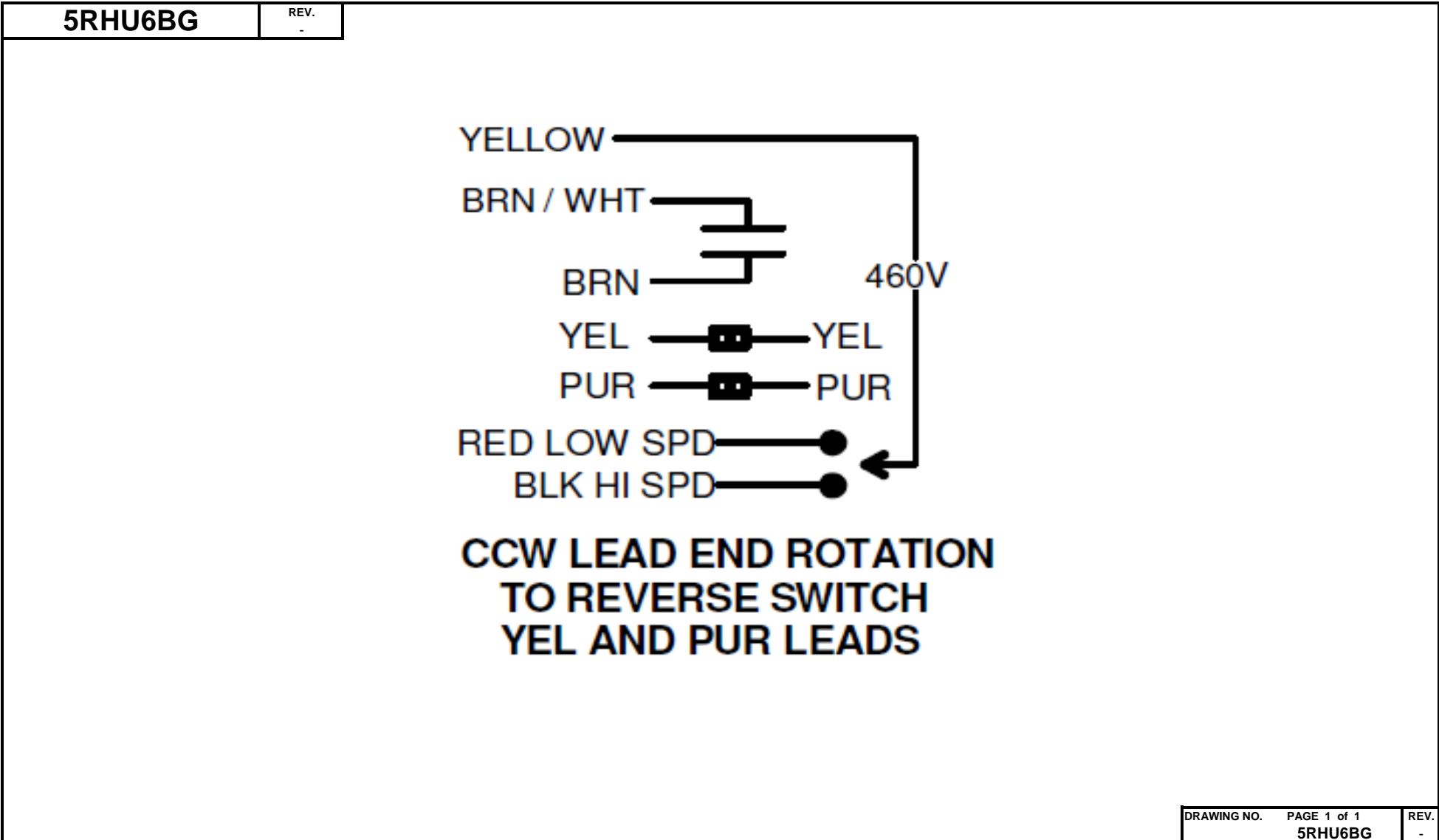
(1) K55HXLNL-2503 ID: 1-1  
5RHU6BG

0.40	0.80	1.20	1.60	2.00	2.40	2.80	3.20	3.60	AMPS
100	200	300	400	500	600	700	800	900	WATTS
4.0	8.0	12.0	16.0	20.0	24.0	28.0	32.0	36.0	Oz-Ft

DRAWING NO.	PAGE 4 of 4	REV.
5RHU6BG		-

Dayton Electric Mfg. Co. Lake Forest, IL 60045 USA

# Wiring Diagram



Dayton Electric Mfg. Co. Lake Forest, IL 60045 USA



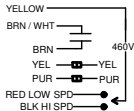
# Dayton®

## CONDENSER FAN MOTOR

HP: SEE TABLE VOLTS: 460 HZ: 60 PH: 1 SF: 1.0  
RPM: 1075/2 SPD INS CL: B AMPS: 1.3-0.56 SFA: 1.3-0.56  
ENCL: TEAO DUTY: CONT AMB: 70 °C  
FR: 48YZ MFG. NO.   PROT. CODE:  7A010   AVG. F.L. EFF.    
MTR REF: K55HXLNL-2503 THERMALLY PROTECTED: AUTO  
ROTATION: CCW Lead End Rev CAPACITOR: See Table Below



Part No: 5RHU6BG



CCW LEAD END ROTATION  
TO REVERSE SWITCH  
YEL AND PUR LEADS



MOTOR	CAP MFD/370V	SPEEDS TO USE	FLA
1/2 HP	10	HIGH (1115 RPM)	1.3
1/3 HP	10	HIGH (1150 RPM)	0.93
1/4 HP	10	LOW (1135 RPM)	0.68
1/5 HP	10	LOW (1150 RPM)	0.56

Mfd for Dayton Electric Mfg. Co., Lake Forest, IL 60045 USA

Made in Mexico