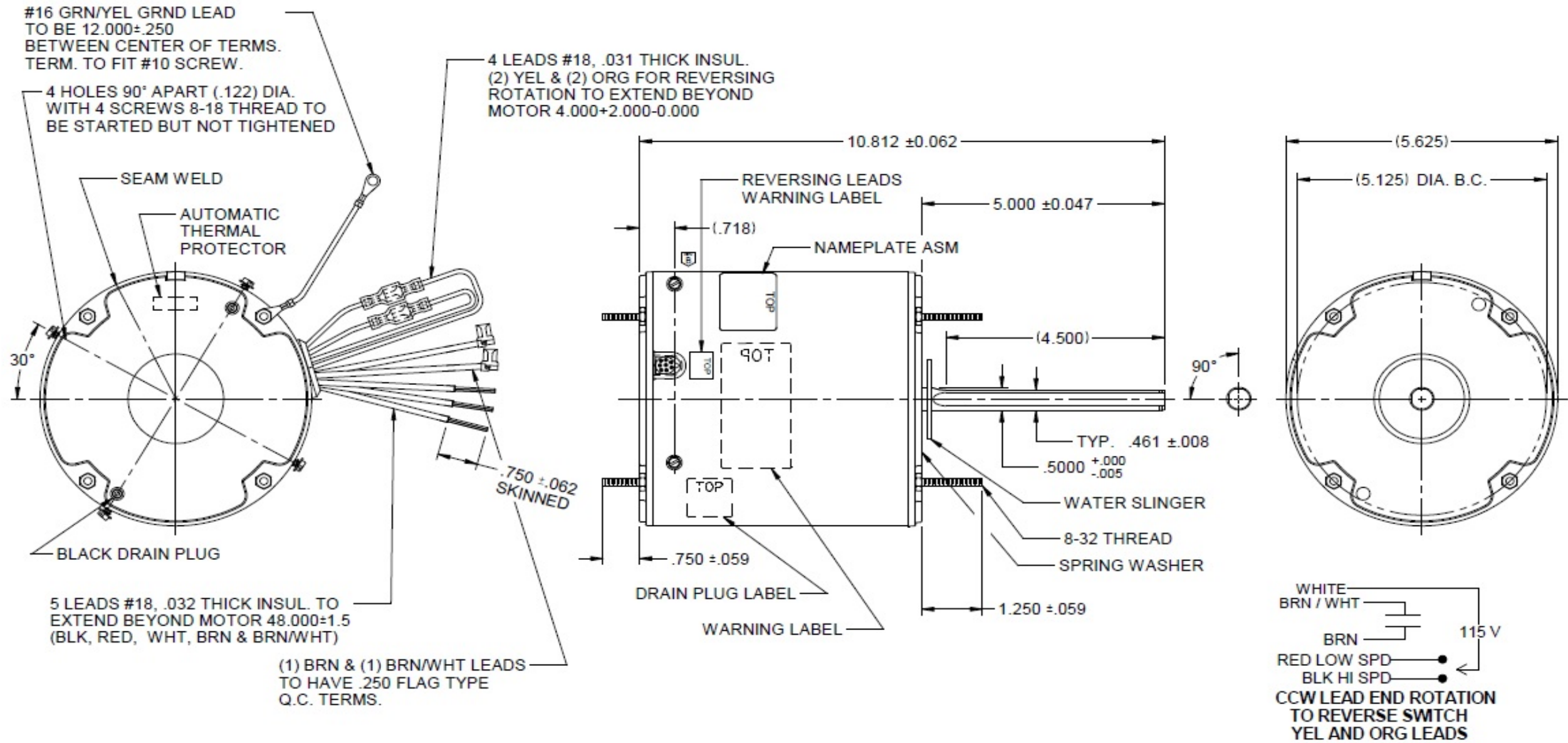


Dimensional Drawing



5RHU2BG REV. -

MODEL	REF	CUSTOMER	HP	VOLTS	AMPS	HZ	RPM	ROTATION	CUSTOMER PN	DESCRIPTION / REMARKS
K55HXWDJ-2449	D42960-X2	GRAINGER	1/2-1/5	115	5.8-2.2	60	1075/2 SPD	CCW LEAD END AND REV	5RHU2BG	CONDENSER FAN MOTOR



DRAWING NO.	PAGE 1 of 1	REV.
5RHU2BG		-

Dayton Electric Mfg. Co. Lake Forest, IL 60045 USA

Performance Data



5RHU2BG

REV.
-

MOTOR PERFORMANCE

HP:	1/2 - 1/5 HP							
Poles:	6P							
No. of Speeds:	2speed	HI	MED-HI	MED-LOW	LOW			
Volts:	115	115	115	115	115			
HZ:	60	60	60	60	60			
Service Factor:	1							
Efficiency:	@ Rated Load							
Power Factor:	@ Rated Load							
Amps:	@ No Load							
	@ Rated Load	5.62	3.76	3.07	2.19			
	@ Service Factor							
	@ Locked Rotor	15.89	15.89	7.61	7.61			
RPM:	@ Rated Load	1122	1165	1097	1141			
Ambient (°C):								
Altitude (FASL):								
Torques:	Breakdown	57.33	57.33	28.55	28.55			
	Locked Rotor	10.13	10.13	5.62	5.62			
	Pull-Up	10.38	10.38	3.78	3.78			
	Rated Load	38.2	19.8	22	15			
	Service Factor							
Watts:	Rated Load	539.2	322.9	297.1	207.9			
KVA Code:								
Temperature Rise:	@ Rated Load							
	@ Service Factor							
Thermal Protector:	Trip Temp (°C)							
Winding Material:	Start (Auxiliary)					Cu		
	Run (Main)					Cu		
Capacitor(s):	Start (MFD / Volts)					N/A		
	No. of Start Capacitors							
	Run (MFD / Volts)					10 mfd 370 vac		
	No. of Run Capacitors							

PERFORMANCE DATA:

HP:								
Poles:								
Volts:								
HZ:								
Efficiency:	@ Rated Load							
Power Factor:	@ Rated Load							
Amps:	@ No Load							
	@ Rated Load							
	@ Service Factor							
	@ Locked Rotor							
Torques:	@ Rated Load							
	Locked Rotor							
	Pull-Up							
	Rated Load							
	Service Factor							
Watts:	@ Rated Load							
Temperature Rise:	@ Rated Load							
	@ Service Factor							

DRAWING NO. PAGE 1 of 1 REV.
5RHU2BG -

Dayton Electric Mfg. Co. Lake Forest, IL 60045 USA

Performance Data



5RHU2BG

REV.

-

Dayton Manufacturing Company

Motor Description

Model: K055HXWDJ244901
 Motor ID: 1
 Poles: 6
 Volts: 115
 Frequency: 60
 HP: 1/2-1/5
 Speed: 1075
 Phase: 1
 Protector: 7AM036-A5

Test Conditions

Test Type: Start
 Test Number: 13
 Poles: 6
 Volts: 115
 Hz: 60
 Rotation: CCWLE
 Special Cond:
 Speed Conn: HIGH
 TestBoard: CMD InLine Three Phase #2 Fixture #1
 Run Cap: 10
 Start Cap: 0ufd
 Environment: 22.7 Deg C 53 % RH 962 hPa
 Tested: 6/1/2016 11:47:10 AM
 Tested By: Navarro, Susana
 Gear Ratio: 1:1
 Bearing Friction: -0.19 Oz-Ft
 Windage Torque: -0.79 Oz-Ft

Special Points	Vline (V)	Vaux (V)	Vcap (V)	Iline (A)	Watts	RPM	Tq (Oz-ft)	HP	Eff (%)	PF (%)
PUT OZ-FT	115.0	49.4	183.7	15.951	1249.0	25	10.72	0.003	0.2	68.1
	115.0	49.8	182.5	15.938	1248.7	57	10.38	0.007	0.4	68.1
	115.0	50.6	177.8	15.870	1245.0	131	13.60	0.021	1.3	68.2
	115.0	53.7	173.1	15.731	1240.0	231	17.26	0.048	2.9	68.5
	115.0	58.4	169.3	15.546	1232.6	324	20.37	0.079	4.8	68.9
	115.0	64.0	165.2	15.342	1224.9	410	23.62	0.115	7.0	69.4
	115.0	73.1	163.1	15.071	1220.0	496	26.81	0.158	9.7	70.4
	115.0	84.2	162.5	14.656	1209.9	581	33.72	0.233	14.4	71.8
	115.0	92.7	162.9	14.324	1196.9	634	36.29	0.274	17.1	72.7
	115.0	105.6	164.9	13.798	1175.4	706	41.49	0.349	22.1	74.1
	115.0	118.4	168.7	13.252	1148.8	765	45.56	0.415	27.0	75.4
	115.0	132.3	174.7	12.653	1117.1	820	49.01	0.479	32.0	76.8
	115.0	147.1	183.1	11.990	1077.6	870	51.96	0.538	37.3	78.2
	115.0	162.6	193.6	11.288	1032.7	915	53.84	0.586	42.4	79.6
	115.0	179.1	206.6	10.516	978.1	956	54.71	0.623	47.5	80.9
	115.0	196.2	221.7	9.690	915.4	994	54.95	0.650	53.0	82.1
	115.0	212.5	237.5	8.874	848.9	1026	53.64	0.655	57.6	83.2
	115.0	229.2	254.7	8.023	774.8	1055	51.02	0.641	61.7	84.0
	115.0	245.5	272.4	7.175	696.0	1081	47.33	0.609	65.3	84.3
	115.0	261.3	290.5	6.319	612.1	1104	42.37	0.557	67.9	84.2
	115.0	275.1	307.0	5.554	533.0	1123	37.03	0.495	69.3	83.5
	115.0	287.6	322.6	4.844	454.5	1140	30.95	0.420	68.9	81.6
	115.0	297.8	335.6	4.279	388.6	1154	25.01	0.344	66.0	79.0
	115.0	306.5	347.9	3.753	323.0	1166	19.43	0.270	62.3	74.8
	115.0	313.7	359.7	3.333	268.0	1175	14.34	0.201	55.8	69.9
	115.0	319.9	371.4	3.045	228.5	1182	10.39	0.146	47.7	65.3
	115.0	325.5	381.2	2.849	188.5	1189	6.01	0.085	33.6	57.5
	115.0	327.6	385.9	2.785	165.1	1193	3.27	0.046	21.0	51.5
	115.0	329.6	388.7	2.734	147.1	1196	0.91	0.013	6.5	46.8
	115.0	330.4	390.1	2.718	135.4	1198	0.00	0.000	0.0	43.3

DRAWING NO. PAGE 1 of 8 REV.
5RHU2BG -

Dayton Electric Mfg. Co. Lake Forest, IL 60045 USA

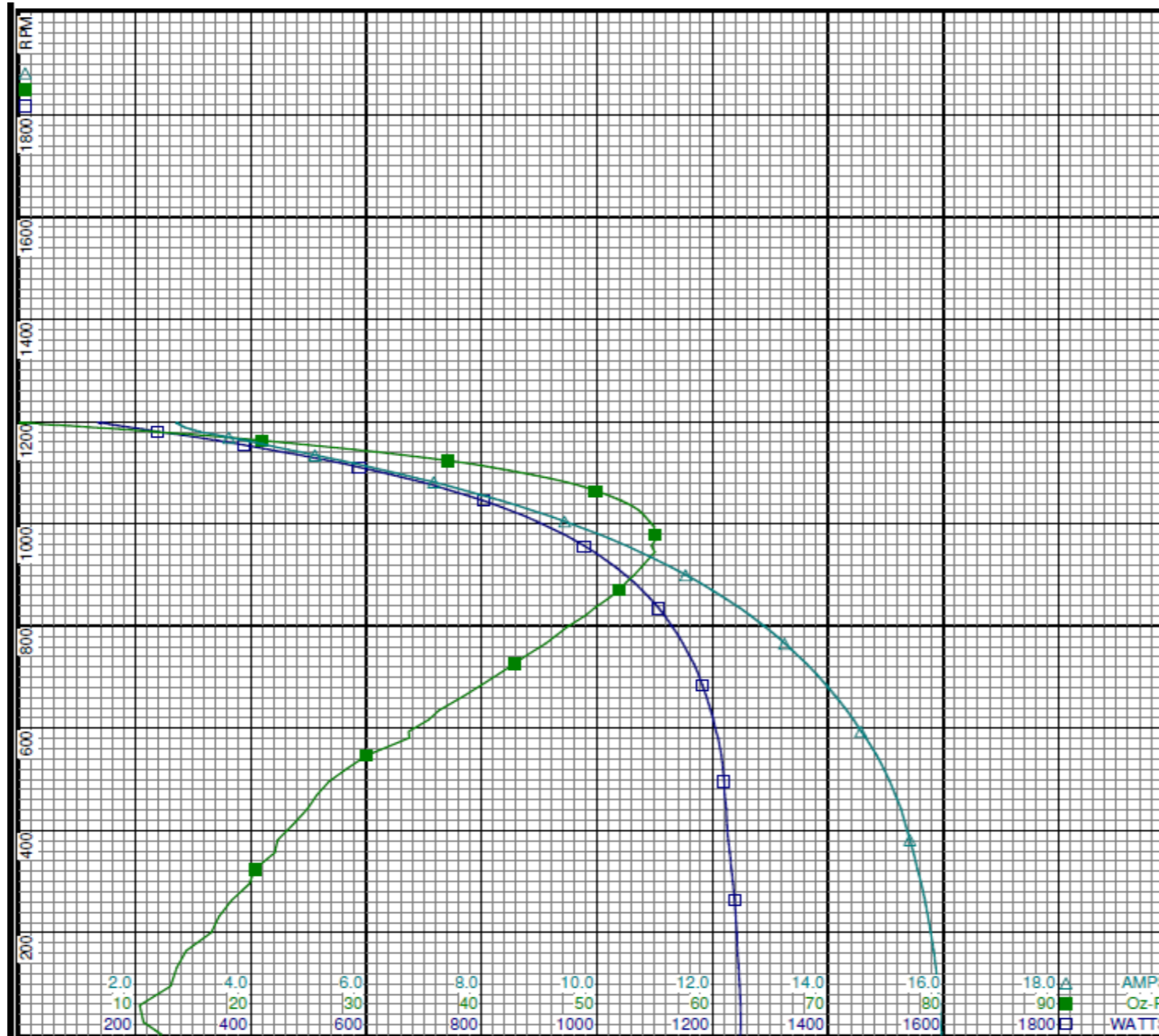
Performance Data



5RHU2BG

REV.

-



Curve Descriptions:
 Motor(1) Test 13 Start 115V 60 Hz 6P
 HIGH CCWLE 10ufd Run
 □ SPEED vs WATTS
 ■ SPEED vs TORQUE
 △ SPEED vs ILine

Motor Ratings:
 (1) K055HXWDJ244901 ID: 1

DRAWING NO.	PAGE 2 of 8	REV.
5RHU2BG		-

Dayton Electric Mfg. Co. Lake Forest, IL 60045 USA

©2019 W.W. Grainger, Inc. This design may not be reproduced, modified or redistributed without written permission from W.W. Grainger, Inc.

Performance Data



5RHU2BG		REV.
Dayton Manufacturing Company		
Motor Description		Test Conditions
Model:	K055HXWDJ244901	Test Type: Run
Motor ID:	1	Test Number: 15
Poles:	6	Poles: 6
Volts:	115	Volts: 115
Frequency:	60	Hz: 60
HP:	1/2-1/5	Rotation: CCWLE
Speed:	1075	Special Cond:
Phase:	1	Speed Conn: HIGH
Protector:	7AM036-A5	TestBoard: CMD InLine Three Phase #2 Fixture #1
		Run Cap: 10
		Start Cap: 0µfd
		Environment: 22.7 Deg C 53 % RH 962 hPa
		Tested: 6/1/2016 11:45:46 AM
		Tested By: Navarro, Susana
		Gear Ratio: 1:1
		Bearing Friction: -0.15 Oz-Ft
		Windage Torque: -0.71 Oz-Ft
Special Points	Vline (V)	Vaux (V)
	Vcap (V)	Iline (A)
	Watts	RPM
	Tq (Oz-ft)	HP
	Eff (%)	PF (%)
	115.0	329.8
	115.0	329.1
	115.0	326.0
	115.0	321.4
	115.0	314.8
	115.0	306.9
19.8 OZ-FT	115.0	306.3
	115.0	298.4
	115.0	289.0
	115.0	275.6
38.2 OZ-FT	115.0	274.8
	115.0	261.0
	115.0	245.8
	115.0	229.4
	115.0	212.4
BDT OZ-FT	115.0	194.6
	115.0	194.6
	115.0	179.4
	115.0	161.9
	115.0	146.2
	115.0	131.9
	115.0	118.0
	115.0	105.0
	115.0	93.5
	115.0	83.0
	115.0	73.0
	115.0	64.6
	115.0	58.3
	115.0	54.0
	115.0	51.2
	389.5	2.730
	387.5	2.751
	382.4	2.826
	374.1	2.981
	361.5	3.273
	348.4	3.731
	347.6	3.762
	336.5	4.230
	324.3	4.780
	306.9	5.574
	306.0	5.614
	290.1	6.365
	272.7	7.203
	254.6	8.080
	237.0	8.970
	219.8	9.877
	219.8	9.877
	205.7	10.648
	192.6	11.432
	182.0	12.149
	173.8	12.804
	168.0	13.390
	164.5	13.911
	162.7	14.377
	162.4	14.768
	163.2	15.104
	165.2	15.358
	168.5	15.530
	172.9	15.682
	178.1	15.796
	134.3	1196
	144.2	1193
	180.0	1189
	216.4	1183
	259.2	1175
	318.9	1165
	322.9	1165
	381.9	1154
	446.0	1142
	535.0	1123
	616.8	1103
	699.4	1081
	780.5	1055
	858.3	1026
	933.8	991
	933.8	991
	990.4	957
	1045.1	916
	1090.2	871
	1127.5	821
	1157.5	766
	1181.6	707
	1200.1	641
	1213.4	572
	1222.4	497
	1227.0	415
	1232.6	326
	1240.2	234
	1243.8	133
	0.00	0.000
	1.55	0.022
	4.95	0.070
	9.18	0.129
	13.76	0.193
	19.40	0.269
	19.80	0.274
	25.25	0.347
	30.49	0.415
	37.89	0.506
	43.55	0.572
	48.68	0.627
	52.62	0.661
	55.37	0.676
	57.33	0.676
	57.33	0.676
	57.09	0.650
	56.14	0.612
	53.81	0.558
	50.91	0.498
	47.33	0.432
	43.30	0.365
	38.70	0.295
	33.87	0.231
	29.47	0.174
	25.44	0.126
	23.12	0.090
	19.87	0.055
	15.86	0.025
	0.0	0.0
	11.4	11.4
	29.1	29.1
	44.6	44.6
	55.4	55.4
	62.9	62.9
	63.4	63.4
	67.7	67.7
	69.3	69.3
	70.6	70.6
	69.1	69.1
	66.8	66.8
	63.2	63.2
	58.8	58.8
	54.0	54.0
	54.0	54.0
	49.0	49.0
	43.7	43.7
	38.2	38.2
	32.9	32.9
	27.8	27.8
	23.0	23.0
	18.4	18.4
	14.2	14.2
	10.6	10.6
	7.6	7.6
	5.4	5.4
	3.3	3.3
	1.5	1.5
	42.8	42.8
	45.6	45.6
	55.4	55.4
	63.1	63.1
	68.9	68.9
	74.3	74.3
	74.6	74.6
	78.5	78.5
	81.1	81.1
	83.5	83.5
	84.3	84.3
	84.4	84.4
	84.0	84.0
	83.2	83.2
	82.2	82.2
	82.2	82.2
	80.9	80.9
	79.5	79.5
	78.0	78.0
	76.6	76.6
	75.2	75.2
	73.9	73.9
	72.6	72.6
	71.4	71.4
	70.4	70.4
	69.5	69.5
	69.0	69.0
	68.8	68.8
	68.5	68.5
DRAWING NO.		PAGE 3 of 8
5RHU2BG		REV.
-		-

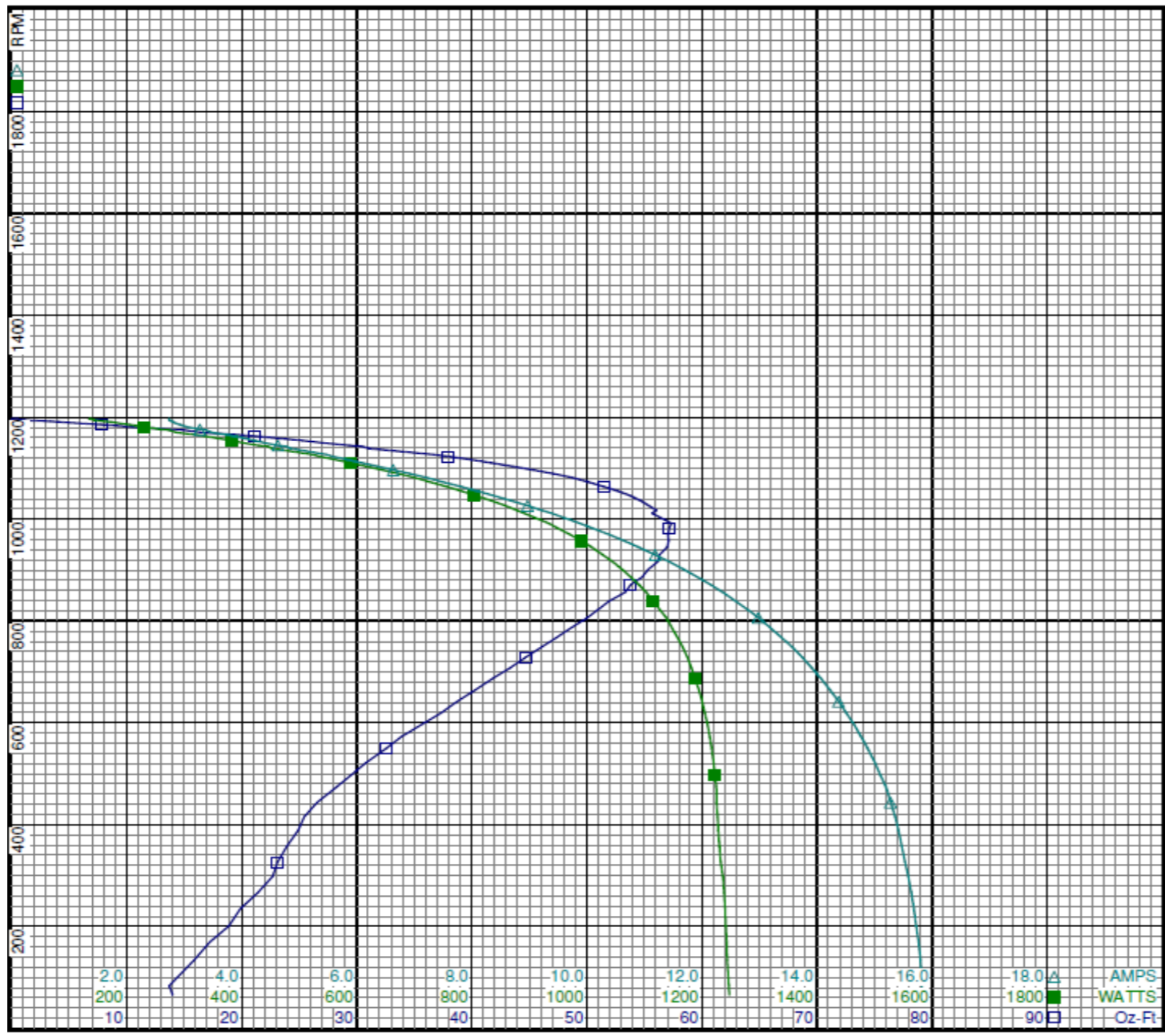
Performance Data



5RHU2BG

REV.

-



Curve Descriptions:

Motor(1) Test 15 Run 115V 60 Hz 6P
HIGH CCWLE 10ufd Run

- SPEED vs TORQUE
- SPEED vs WATTS
- △ SPEED vs ILine

Motor Ratings:

(1) K055HXWDJ244901 ID: 1

2.0 4.0 6.0 8.0 10.0 12.0 14.0 16.0 18.0 A AMPS
200 400 600 800 1000 1200 1400 1600 1800 WATTS
10 20 30 40 50 60 70 80 90 Oz-Ft

DRAWING NO.	PAGE 4 of 8	REV.
5RHU2BG		-

Dayton Electric Mfg. Co. Lake Forest, IL 60045 USA

Performance Data



5RHU2BG

REV.

-

Dayton Manufacturing Company

Motor Description

Model: K055HXWDJ244901
 Motor ID: 1
 Poles: 6
 Volts: 115
 Frequency: 60
 HP: 1/2-1/5
 Speed: 1075
 Phase: 1
 Protector: 7AM036-A5

Test Conditions

Test Type: Start
 Test Number: 17
 Poles: 6
 Volts: 115
 Hz: 60
 Rotation: CCWLE
 Special Cond:
 Speed Conn: LOW
 TestBoard: CMD InLine Three Phase #2 Fixture #1
 Run Cap: 10
 Start Cap: 0ufd
 Environment: 22.7 Deg C 53 % RH 962 hPa
 Tested: 6/1/2016 11:55:02 AM
 Tested By: Navarro, Susana
 Gear Ratio: 1:1
 Bearing Friction: -0.20 Oz-Ft
 Windage Torque: -0.59 Oz-Ft

Special Points	Vline (V)	Vaux (V)	Vcap (V)	Iline (A)	Watts	RPM	Tq(Oz-ft)	HP	Eff (%)	PF (%)
	115.0	39.6	140.1	7.627	553.7	20	4.04	0.001	0.1	63.1
PUT OZ-FT	115.0	39.8	138.8	7.623	554.2	60	3.78	0.003	0.4	63.2
	115.0	40.3	135.4	7.588	552.5	128	6.10	0.009	1.3	63.3
	115.0	41.8	131.6	7.514	550.4	229	9.08	0.025	3.3	63.7
	115.0	44.0	127.8	7.407	545.0	326	10.83	0.042	5.8	64.0
	115.0	48.2	125.3	7.316	542.2	415	11.65	0.058	7.9	64.4
	115.0	53.5	124.0	7.224	544.2	494	12.64	0.074	10.2	65.5
	115.0	60.7	123.4	7.064	544.6	569	15.73	0.107	14.6	67.0
	115.0	68.0	123.1	6.871	541.2	638	18.18	0.138	19.0	68.5
	115.0	76.6	123.9	6.633	535.0	707	20.31	0.171	23.8	70.1
	115.0	85.4	125.7	6.367	525.4	766	22.41	0.204	29.0	71.8
	115.0	94.8	129.0	6.077	513.0	820	24.09	0.235	34.2	73.4
	115.0	104.9	133.9	5.757	496.9	869	25.56	0.264	39.7	75.1
	115.0	116.1	140.7	5.399	477.1	915	26.74	0.291	45.5	76.8
	115.0	127.8	149.1	5.010	452.7	957	26.89	0.306	50.5	78.6
	115.0	139.4	158.8	4.616	425.1	993	26.86	0.318	55.7	80.1
	115.0	150.6	169.1	4.226	395.8	1025	26.17	0.319	60.2	81.4
	115.0	162.8	181.2	3.792	360.2	1055	24.76	0.311	64.4	82.6
	115.0	174.3	193.2	3.377	324.1	1081	22.99	0.296	68.1	83.5
	115.0	185.5	205.9	2.959	285.3	1104	20.32	0.267	69.8	83.8
	115.0	195.7	217.5	2.575	247.7	1124	17.82	0.238	71.8	83.6
	115.0	204.3	228.1	2.244	213.5	1139	14.90	0.202	70.6	82.7
	115.0	211.9	237.7	1.949	181.5	1154	11.97	0.164	67.6	81.0
	115.0	219.4	247.2	1.675	150.8	1166	9.32	0.129	64.0	78.3
	115.0	226.7	258.0	1.445	125.0	1175	6.98	0.098	58.3	75.2
	115.0	236.3	273.0	1.291	111.0	1183	5.44	0.077	51.5	74.8
	115.0	244.9	285.2	1.145	94.9	1188	2.46	0.035	27.4	72.0
	115.0	247.6	288.8	1.058	81.4	1193	1.68	0.024	21.9	66.9
	115.0	249.1	291.9	0.989	68.3	1196	0.13	0.002	2.0	60.1
	115.0	249.3	292.1	0.983	67.0	1197	0.00	0.000	0.0	59.3

DRAWING NO. PAGE 5 of 8 REV.
5RHU2BG -

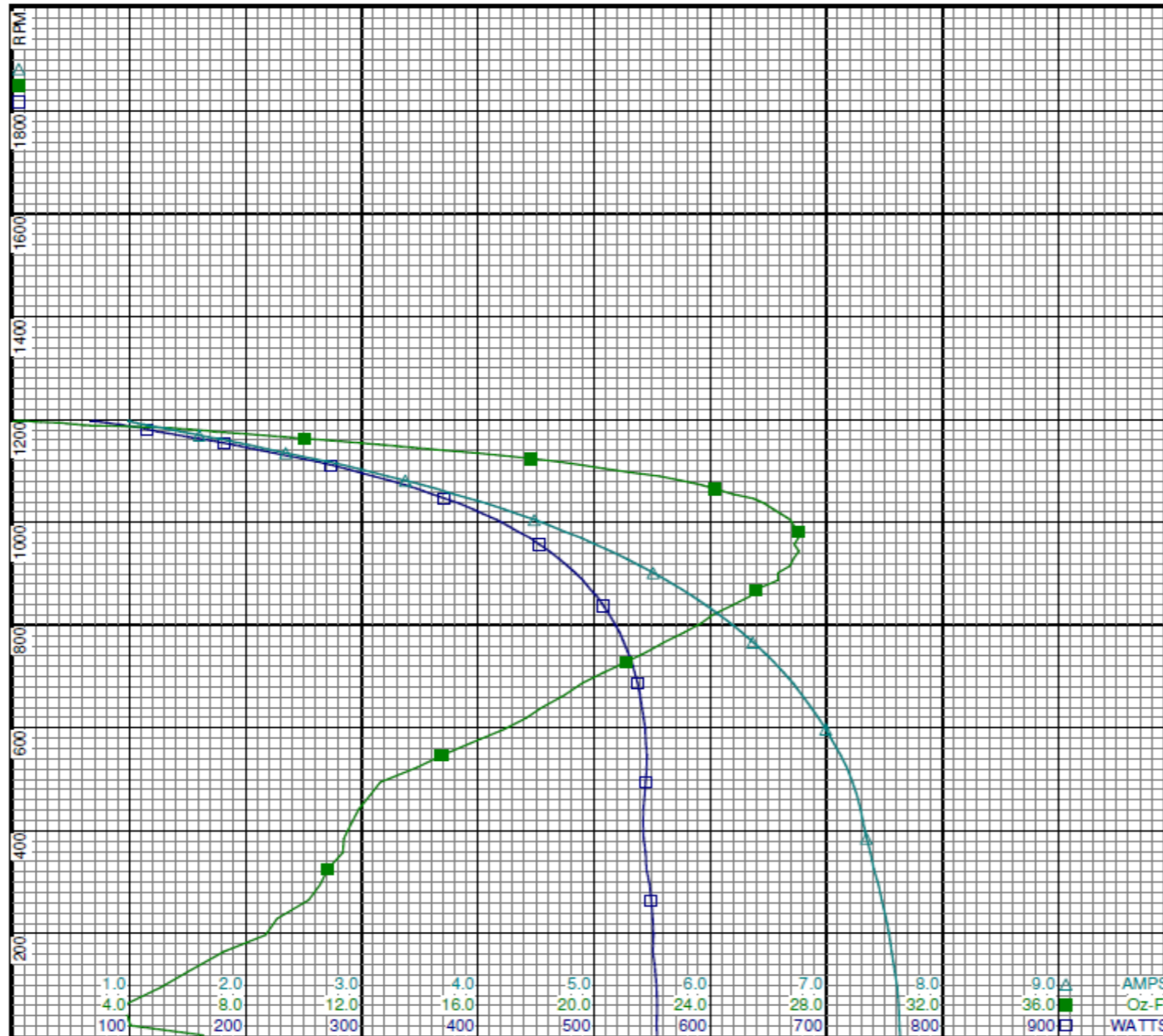
Performance Data



5RHU2BG

REV.

-



Curve Descriptions:

Motor(1) Test 17 Start 115V 60 Hz 6P
LOW CCWLE 10ufd Run

- SPEED vs WATTS
- SPEED vs TORQUE
- △ SPEED vs ILine

Motor Ratings:

(1) K055HXWDJ244901 ID: 1

DRAWING NO.	PAGE 6 of 8	REV.
5RHU2BG		-

Dayton Electric Mfg. Co. Lake Forest, IL 60045 USA

Performance Data



5RHU2BG

REV.

-

Dayton Manufacturing Company

Motor Description

Model: K055HXWDJ244901
 Motor ID: 1
 Poles: 6
 Volts: 115
 Frequency: 60
 HP: 1/2-1/5
 Speed: 1075
 Phase: 1
 Protector: 7AM036-A5

Test Conditions

Test Type: Run
 Test Number: 19
 Poles: 6
 Volts: 115
 Hz: 60
 Rotation: CCWLE
 Special Cond:
 Speed Conn: LOW
 TestBoard: CMD InLine Three Phase #2 Fixture #1
 Run Cap: 10
 Start Cap: 0ufd
 Environment: 22.7 Deg C 53 % RH 962 hPa
 Tested: 6/1/2016 11:53:51 AM
 Tested By: Navarro, Susana
 Gear Ratio: 1:1
 Bearing Friction: -0.15 Oz-Ft
 Windage Torque: -0.39 Oz-Ft

Special Points	Vline (V)	Vaux (V)	Vcap (V)	Iline (A)	Watts	RPM	Tq (Oz-ft)	HP	Eff (%)	PF (%)
	115.0	249.0	292.1	0.981	66.6	1196	0.00	0.000	0.0	59.0
	115.0	248.2	290.2	1.022	74.8	1193	0.84	0.012	11.9	63.7
	115.0	246.7	287.0	1.088	85.9	1189	2.63	0.037	32.3	68.7
	115.0	240.6	277.6	1.235	106.4	1183	4.43	0.062	43.7	75.0
	115.0	229.2	260.8	1.400	121.2	1175	6.18	0.086	53.2	75.3
	115.0	219.9	247.9	1.654	148.7	1166	9.30	0.129	64.8	78.2
	115.0	212.9	238.6	1.913	178.0	1154	12.19	0.167	70.2	80.9
15 OZ-FT	115.0	205.6	229.5	2.189	207.9	1141	15.00	0.204	73.1	82.6
	115.0	205.5	229.3	2.193	208.3	1140	15.04	0.204	73.1	82.6
	115.0	196.1	217.7	2.568	247.5	1122	18.15	0.243	73.1	83.8
22 OZ-FT	115.0	182.7	202.3	3.073	297.1	1097	22.00	0.287	72.1	84.1
	115.0	176.0	194.7	3.326	320.4	1082	23.43	0.302	70.3	83.8
	115.0	163.5	181.4	3.788	361.4	1055	25.93	0.326	67.2	83.0
	115.0	151.9	169.7	4.214	396.6	1026	27.26	0.333	62.6	81.8
	115.0	139.7	158.4	4.644	429.2	993	28.03	0.331	57.6	80.4
BDT OZ-FT	115.0	135.9	155.3	4.768	438.1	981	28.55	0.333	56.8	79.9
	115.0	128.6	149.1	5.023	456.0	958	28.40	0.324	53.0	78.9
	115.0	116.9	140.7	5.411	480.1	916	28.17	0.307	47.7	77.2
	115.0	105.5	133.7	5.775	500.0	871	27.09	0.281	41.9	75.3
	115.0	95.1	128.7	6.102	516.2	820	25.83	0.252	36.5	73.6
	115.0	85.6	125.6	6.393	528.1	766	24.13	0.220	31.1	71.8
	115.0	77.0	123.7	6.643	536.7	710	22.16	0.187	26.0	70.3
	115.0	68.8	123.1	6.870	542.6	645	19.79	0.152	20.9	68.7
	115.0	60.9	123.2	7.070	545.7	574	17.28	0.118	16.1	67.1
	115.0	53.8	124.1	7.229	545.9	496	14.90	0.088	12.0	65.7
	115.0	47.9	125.1	7.325	543.2	417	13.51	0.067	9.2	64.5
	115.0	44.3	128.2	7.401	545.6	331	13.06	0.052	7.0	64.1
	115.0	41.9	131.3	7.502	550.8	235	11.46	0.032	4.3	63.8
	115.0	40.5	135.3	7.572	552.8	136	10.15	0.016	2.2	63.5

DRAWING NO. PAGE 7 of 8 REV.
 5RHU2BG -

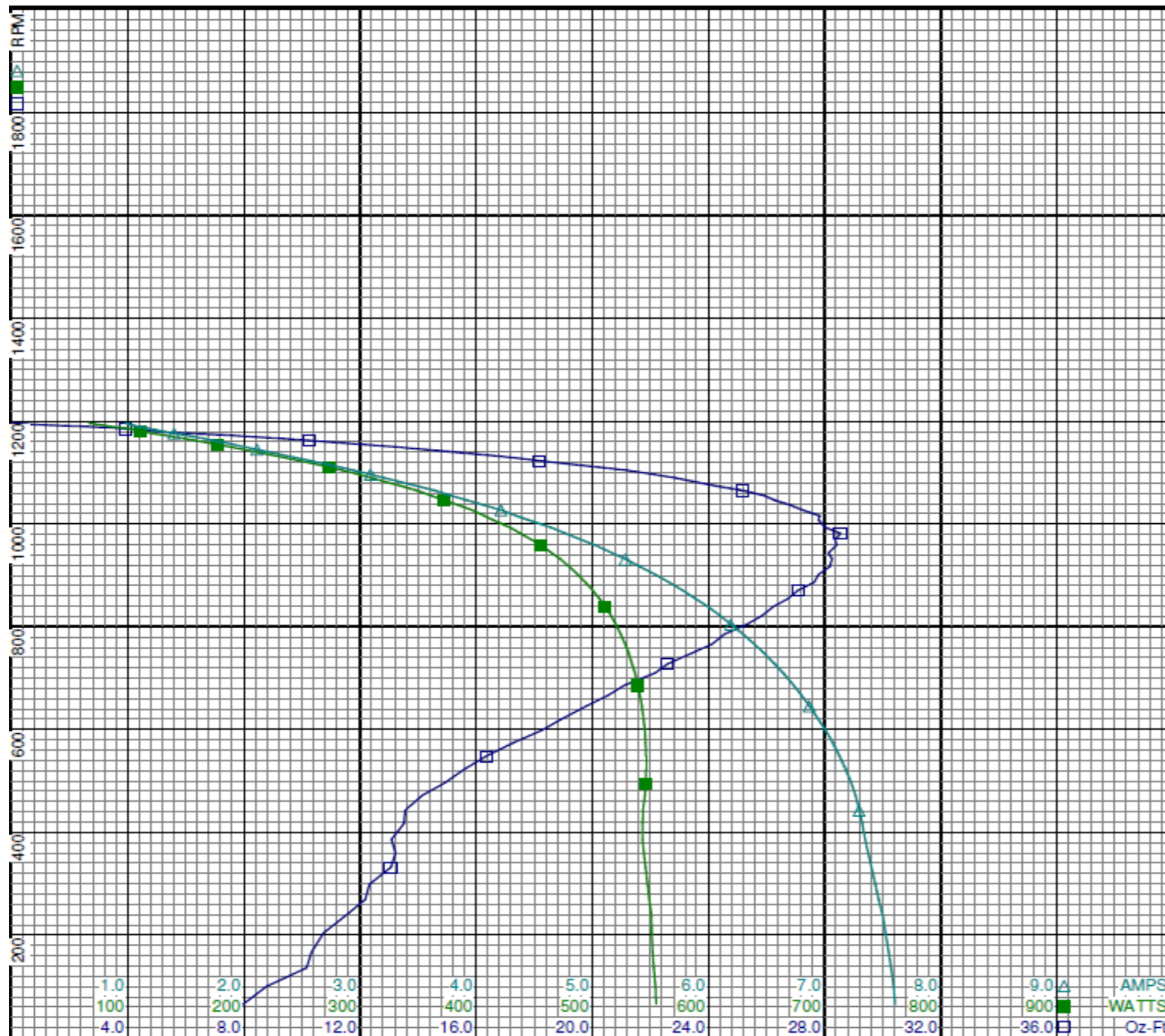
Performance Data



5RHU2BG

REV.

-



Curve Descriptions:

Motor(1) Test 19 Run 115V 60 Hz 6P
LOW CCWLE 10ufd Run

- SPEED vs TORQUE
- SPEED vs WATTS
- △ SPEED vs ILine

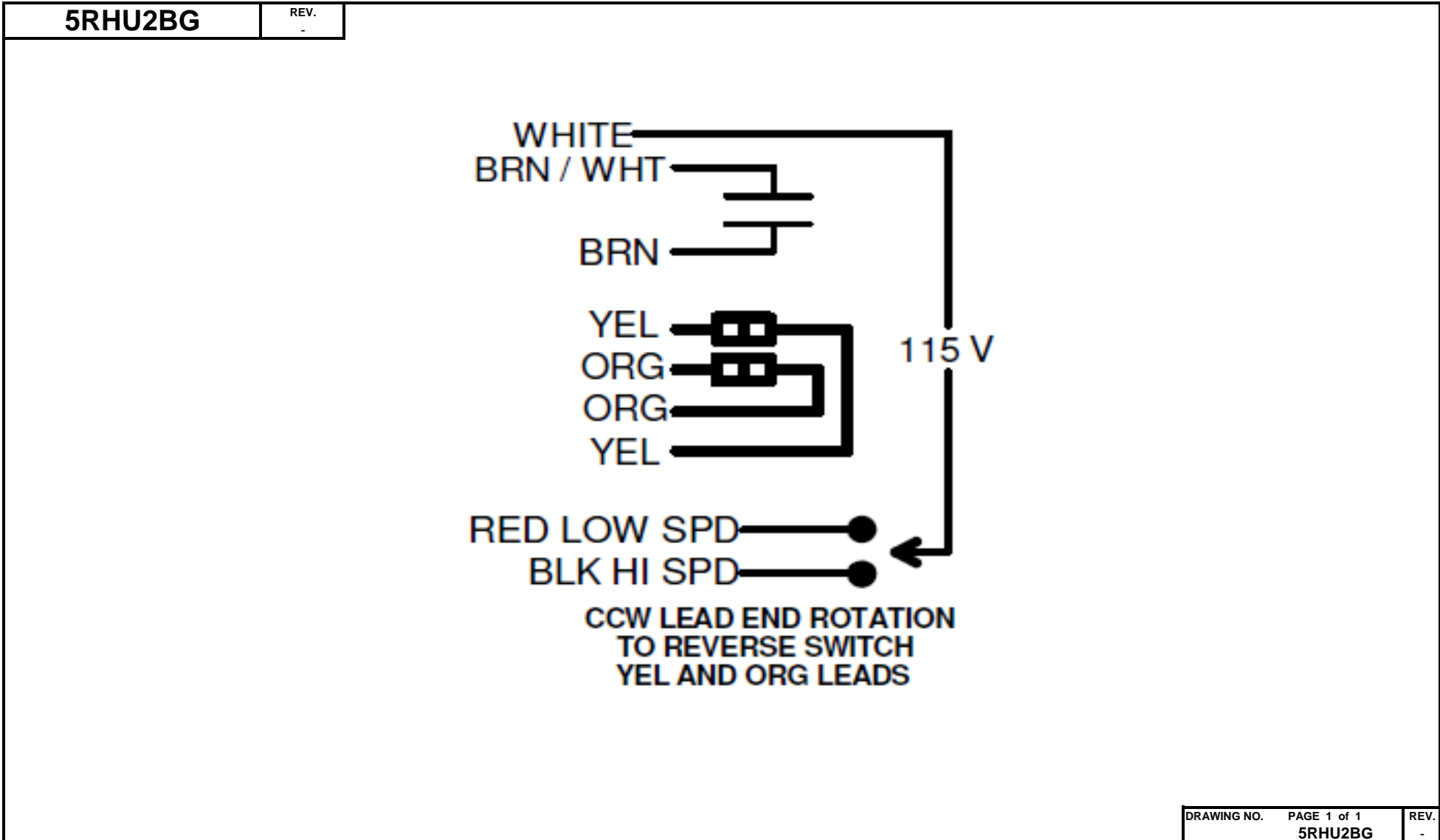
Motor Ratings:

(1) K055HXWDJ244901 ID: 1

DRAWING NO.	PAGE 8 of 8	REV.
5RHU2BG		-

Dayton Electric Mfg. Co. Lake Forest, IL 60045 USA

Wiring Diagram



Dayton Electric Mfg. Co. Lake Forest, IL 60045 USA

Dayton[®]

CONDENSER FAN MOTOR

HP: SEE TABLE VOLTS: 115 HZ: 60 PH: 1 SF: 1.0

RPM: 1075/2 SPD INS CL: B AMPS: 5.8-2.2 SFA: 5.8-2.2

ENCL: TEAO DUTY: CONT AMB: 70 °C KVA CODE: C

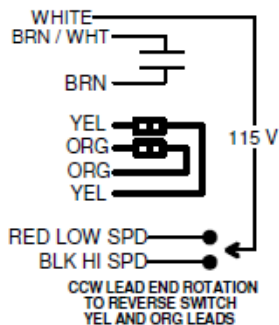
FR: 48YZ MFG. NO. PROT. CODE: 7A010 AVG. F.L. EFF.

MTR REF: K55HXWDJ-2449 THERMALLY PROTECTED: AUTO

ROTATION: CCW Lead End Rev CAPACITOR: See Table Below



Part No: 5RHU2BG



MOTOR	CAP MFD/370V	COOL	HEAT	FLA
1/2 HP	10	HI	MED- LOW	5.8
1/3 HP	10	MED- HI	MED- LOW	3.8
1/4 HP	10	MED- LOW	LOW	3.1
1/5 HP	10	LOW	LOW	2.2

Mfd for Dayton Electric Mfg. Co., Lake Forest, IL 60045 USA

Made in Mexico