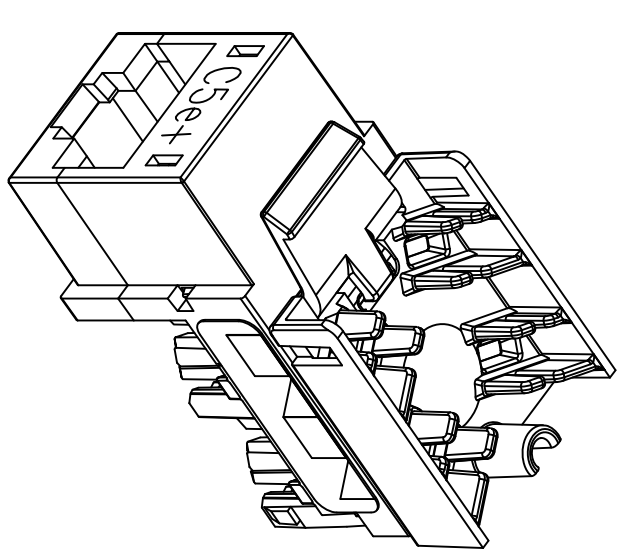
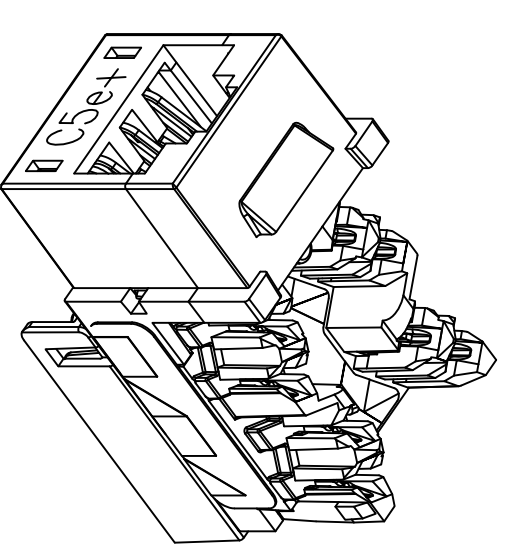
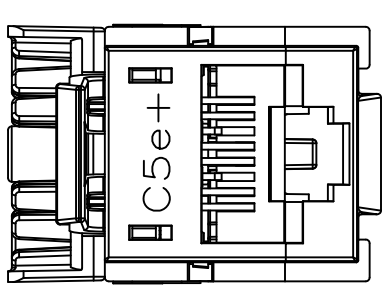
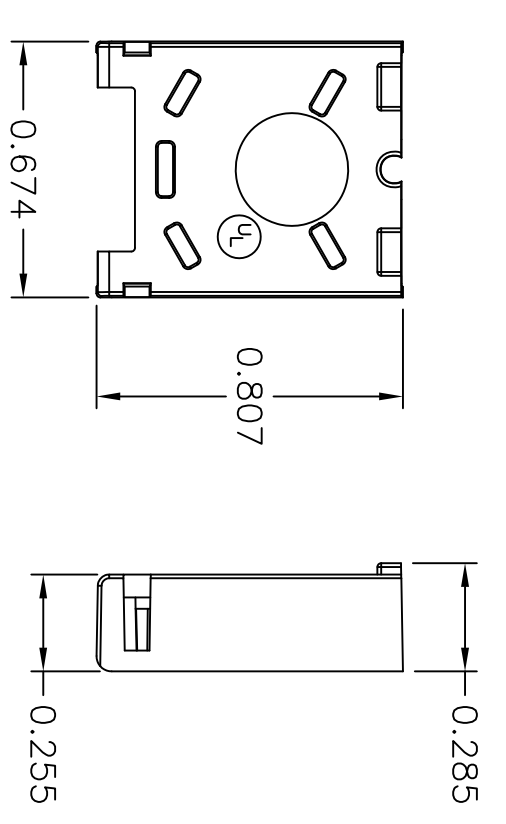
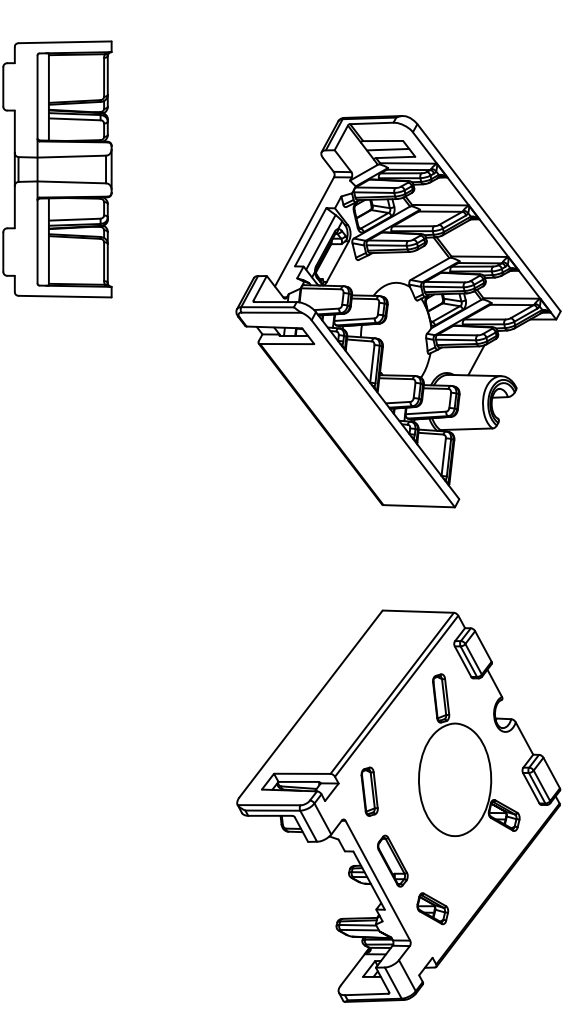
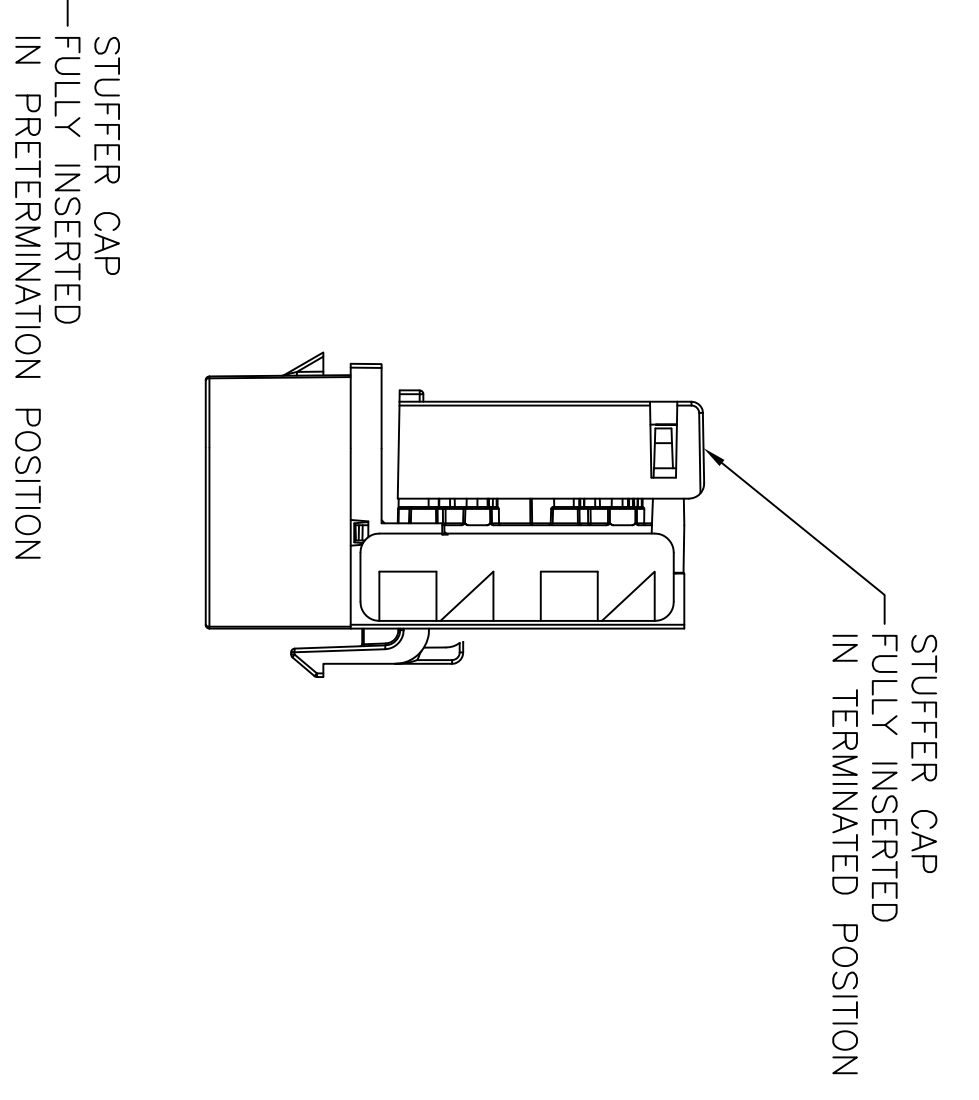
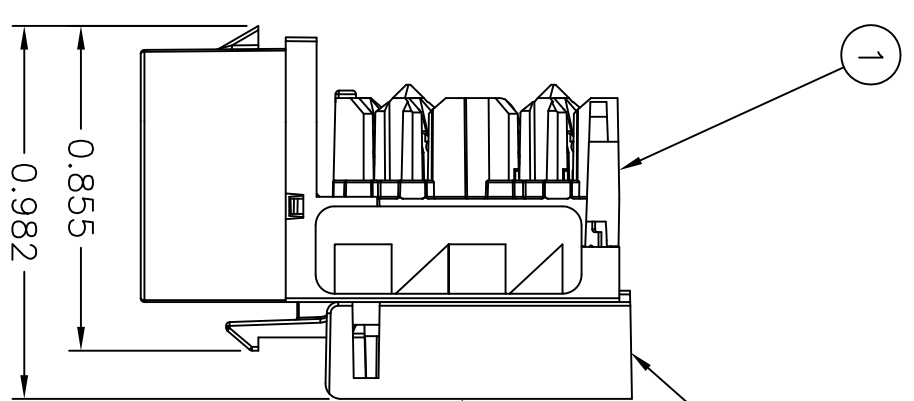
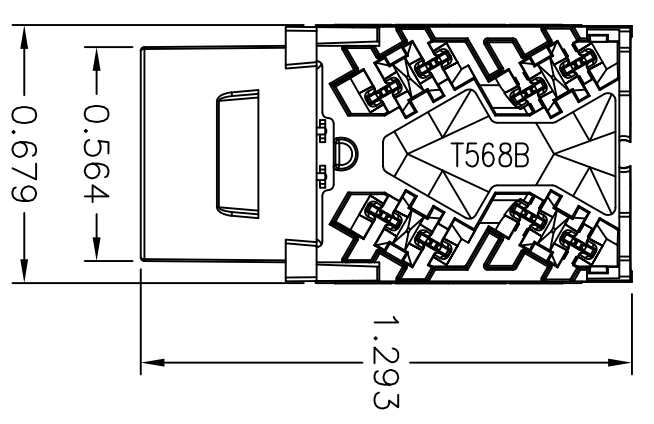


ITEM NO.	DESCRIPTION	QTY.
1	XCELERATOR HXJ5E SERIES JACKS	1
2	STUFFER CAP	1



CATALOG NUMBER	25PK	CATALOG NUMBER	COLOR	LASER MARKING
HXJ5EB25		HXJ5EB	BLUE	X5EB
HXJ5EBK25		HXJ5EBK	BLACK	X5EBK
HXJ5EEI25		HXJ5EEI	ELECTRIC IVORY	X5EEI
HXJ5EGN25		HXJ5EGN	GREEN	X5EGN
HXJ5EGY25		HXJ5EGY	GRAY	X5EGY
HXJ5EOW25		HXJ5EOW	OFFICE WHITE	X5EOW
HXJ5ER25		HXJ5ER	RED	X5ER
HXJ5EOR25		HXJ5EOR	ORANGE	X5EOR
HXJ5ETI25		HXJ5ETI	TELCO IVORY	X5ETI
HXJ5EW25		HXJ5EW	WHITE	X5EW
HXJ5EY25		HXJ5EY	YELLOW	X5EY
HXJ5EAL25		HXJ5EAL	ALMOND	X5EAL
HXJ5ELA25		HXJ5ELA	LIGHT ALMOND	X5EOW
HXJ5EBN25		HXJ5EBN	BROWN	X5EBN
HXJ5ENB25		---	NAVY BLUE	X5ENB



NOTES
UNLESS OTHERWISE SPECIFIED:

1. UL LISTED: E129878
2. CSA CERTIFIED: LR 80837
3. NOSE CONTACTS ARE BERYLLIUM COPPER WITH FCC COMPLIANT PRECIOUS METAL PLATING IN MATING AREA
4. IDC CONTACTS ARE ROHS COMPLIANT TIN PLATED
5. ALL CONTACTS ARE UNDERPLATED IN NICKEL
6. SPECIFICATIONS SUBJECT TO CHANGE WITHOUT NOTICE

REV.	ECN	DATE	DESCRIPTION	CHG BY	APPD BY
H	17931	5/16/12	ADDED NAVY BLUE COLOR	CG	

Created on AUTOCAD

DIMENSIONING AND TOLERANCE PER ANSI Y14.5M-1982
UNLESS OTHERWISE SPECIFIED, DIMENSIONS ARE IN INCHES (MM).
TOLERANCES:
.XX = ±.01 (.25)
.XXX = ±.005 (.127)
.XXXX = ±.0025 (.0635)
ANGLE TOL ±1°

IN ACCEPTING OUR DRAWINGS, BLUEPRINTS, OR SUPPORTING DOCUMENTATION FOR QUOTATION OR OTHER PURPOSES, YOU AGREE NOT TO DISCLOSE TO OTHERS THE IDEAS, INFORMATION, OR DESIGNS SHOWN HEREIN, AND THAT YOU WILL MAKE NO USE OF SAME WITHOUT PERMISSION

PROJECT REFERENCE:
DRAWN BY: P.S. MAGUIRE 03/01/2001
CHECKED BY: H. MCGREGOR 03/07/2001
APPROVED BY: H. MCGREGOR 03/07/2001

TITLE: XCELERATOR HXJ5E SERIES JACKS
Hubbell Premise Wiring
HUBBELL INCORPORATED (Delaware)
14 Lord's Hill Road, Stonington, Connecticut 06378

SIZE: C
DRAWING NO.: C11295
SCALE: 2/1
SHEET 1 OF 1