

UL 1686 C1 Pin and Sleeve

100A, 600/250V AC/DC, 4 Pole, 5 Wire

Insulgrip® Pin and Sleeve Receptacle

Features

- Beryllium copper spring maintains high unit pressure on mating sleeves
- Closure cap with neoprene gasket for watertight seal when not in use
- O-Rings- provide a watertight and dust tight seal around pins negating contamination to the wire chamber
- Pin chamber confines arcing within the interior chamber

Ordering Information

Description Pin and Sleeve, Watertight Insulgrip Receptacle	UPC 783585011189	Catalog Number HBL5100RS1W
Device Color Aluminum	Grounding Style Style 1	

Standards

UL Standard 1682
CSA Certified to CSA Spec. C22.2 No. 182.1
UL Listed and CSA Certified Type 4X

Specifications

Housing	Epoxy Painted Aluminum
Gaskets & Seals	Neoprene
Contact Carrier	Thermoset Polyester
Pin Spring	Beryllium Copper
Cover	Epoxy Painted Aluminum

Performance

Electrical Current Interrupting	Certified for current interrupting at full rated current
---	--

Dielectric Voltage Max. Working Voltage	Withstands 3,000V AC 600V AC RMS
--	-------------------------------------

Mechanical Impact Resistance Product Identification	Per CSA C22.2, No. 182.1, UL 1682 Identification and ratings are permanently fastened to the device housing
Terminal Identification	Terminals identified in accordance with UL 1686(1, 2, 3, Green)

Environmental Flammability (Enclosure) Moisture Resistance Operating Temperatures	UL 94V-0 and CSA C22.2 No. 0.17 Type 3, 4, 4X per UL 50E and CSA 22.2, No. 94 Max. Continuous 75°C; Min. -40°C w/o impact -25° with impact
---	--

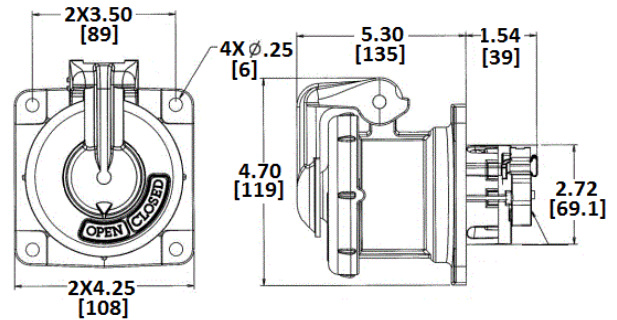
Accessories

Back Boxes

Online Resources

Customer Use Drawing
eCatalog
Installation Instructions

HUBBELL



Dimensions in Inches (mm)

Hubbell Wiring Device-Kellems • Hubbell Incorporated (Delaware) • 40 Waterview Drive • Shelton, CT 06484

Phone (800) 288-6000 • Fax (800) 255-1031 • Specifications subject to change without notice.

