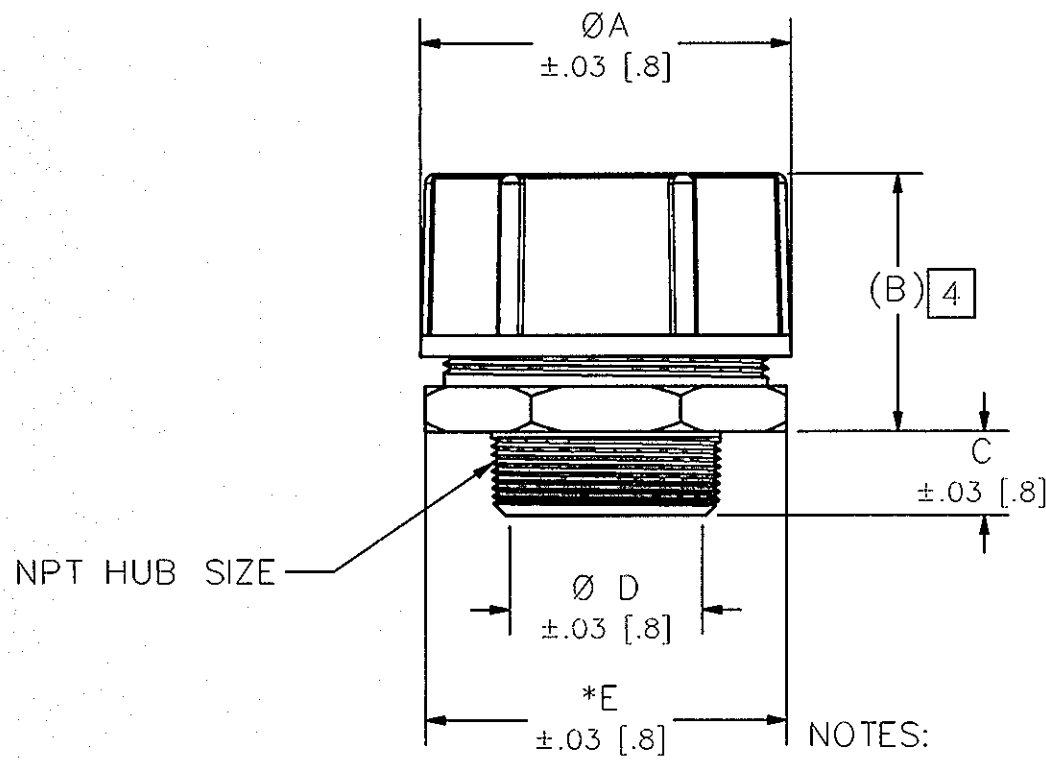


M-12919

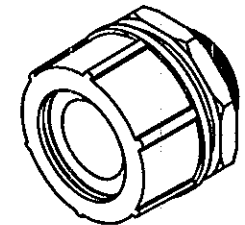
1

CATALOG NUMBER	BODY COLOR	NPT HUB SIZE	CORD DIA. RANGE	Ø A (OVERALL)	(B) ⁴	C	Ø D (THROAT DIA.)	*E ACROSS CORNERS	*E ACROSS FLATS
SHC1070	ALUMINUM	2"	1.69-1.81 [42.9-46.0]	3.85 [97.8]	2.70 [68.6]	.88 [22.4]	1.97 [50.0]	4.05 [102.9]	3.75 [95.3]
SHC1071	ALUMINUM	2"	1.81-1.94 [46.0-49.2]	3.85 [97.8]	2.70 [68.6]	.88 [22.4]	1.97 [50.0]	4.05 [102.9]	3.75 [95.3]
SHC1072	ALUMINUM	2"	1.94-2.06 [49.2-52.4]	3.85 [97.8]	2.70 [68.6]	.88 [22.4]	1.97 [50.0]	4.05 [102.9]	3.75 [95.3]
SHC1073	ALUMINUM	2"	2.06-2.19 [52.4-55.6]	3.85 [97.8]	2.70 [68.6]	.88 [22.4]	1.97 [50.0]	4.05 [102.9]	3.75 [95.3]
SHC1074	ALUMINUM	2"	2.19-2.31 [55.6-58.7]	3.85 [97.8]	2.70 [68.6]	.88 [22.4]	1.97 [50.0]	4.05 [102.9]	3.75 [95.3]
SHC1076	ALUMINUM	2 1/2"	1.69-1.81 [42.9-46.0]	3.85 [97.8]	2.70 [68.6]	1.27 [32.3]	2.35 [59.7]	4.34 [110.2]	4.02 [102.1]
SHC1077	ALUMINUM	2 1/2"	1.81-1.94 [46.0-49.2]	3.85 [97.8]	2.70 [68.6]	1.27 [32.3]	2.35 [59.7]	4.34 [110.2]	4.02 [102.1]
SHC1078	ALUMINUM	2 1/2"	1.94-2.06 [49.2-52.4]	3.85 [97.8]	2.70 [68.6]	1.27 [32.3]	2.35 [59.7]	4.34 [110.2]	4.02 [102.1]
SHC1079	ALUMINUM	2 1/2"	2.06-2.19 [52.4-55.6]	3.85 [97.8]	2.70 [68.6]	1.27 [32.3]	2.35 [59.7]	4.34 [110.2]	4.02 [102.1]
SHC1080	ALUMINUM	2 1/2"	2.19-2.31 [55.6-58.7]	3.85 [97.8]	2.70 [68.6]	1.27 [32.3]	2.35 [59.7]	4.34 [110.2]	4.02 [102.1]
SHC1081	ALUMINUM	2 1/2"	2.31-2.44 [58.7-61.9]	3.85 [97.8]	2.70 [68.6]	1.27 [32.3]	2.35 [59.7]	4.34 [110.2]	4.02 [102.1]
SHC1086	ALUMINUM	3"	1.69-1.81 [42.9-46.0]	3.85 [97.8]	2.70 [68.6]	1.30 [33.0]	2.86 [72.6]	4.34 [110.2]	4.02 [102.1]
SHC1088	ALUMINUM	3"	1.94-2.06 [49.2-52.4]	3.85 [97.8]	2.70 [68.6]	1.30 [33.0]	2.86 [72.6]	4.34 [110.2]	4.02 [102.1]
SHC1089	ALUMINUM	3"	2.06-2.19 [52.4-55.6]	3.85 [97.8]	2.70 [68.6]	1.30 [33.0]	2.86 [72.6]	4.34 [110.2]	4.02 [102.1]
SHC1090	ALUMINUM	3"	2.19-2.31 [55.6-58.7]	3.85 [97.8]	2.70 [68.6]	1.30 [33.0]	2.86 [72.6]	4.34 [110.2]	4.02 [102.1]
SHC1091	ALUMINUM	3"	2.31-2.44 [58.7-61.9]	3.85 [97.8]	2.70 [68.6]	1.30 [33.0]	2.86 [72.6]	4.34 [110.2]	4.02 [102.1]



NOTES:

1. DIMENSIONS ARE IN INCHES [MM].
2. LOCKNUT PURCHASED SEPARATELY.
3. BUSHING COATED WITH AMBER PETROLEUM JELLY.
- 4 REFERENCE ONLY, DIMENSION MAY VARY.



CATALOG NO. SHC1070
(NOT SHOWN TO SCALE)

LIST OF PARTS		
DESCRIPTION	MATERIAL	FINISH
CORD CONNECTOR BODY STR. MALE	ALUMINUM	
BUSHING	BLACK NEOPRENE	SEE NOTE 3
WASHER	COLD ROLLED STEEL	ZINC PLATED
NUT	ALUMINUM	

DIMENSION SHEET FOR CAT. NO. SEE TABLE

REPAIRABLE NON-REPAIRABLE

1	INITIAL RELEASE PER DCN 21189	DDL	05/06/15
REV	DESCRIPTION	APP	DATE

THE DESIGN AND DIMENSIONS OF THE PRODUCT SHOWN ON THIS DRAWING ARE SUBJECT TO CHANGE WITHOUT NOTICE

TITLE
STRAIGHT ALUMINUM CORD CONNECTOR FORM 7

TOLERANCES UNLESS OTHERWISE SPECIFIED .XX = ± .01 .XXX = ± .005 ANGLES = ± 2'	WIRING DEVICE-KELLEMS HUBBELL INCORPORATED SHELTON, CT		
	DR. BY	BD	APP. BY
	TR. BY		SCALE 1/2
	CHK. BY	DDL	DATE 05/06/15