

Straight Blade Devices  
 30A, 3 Phase 250V AC, 3 Pole, 4 Wire  
 Grounding  
 Plug

# HUBBELL

## Features

- Catalog number, ratings and certifications molded in face
- Gripping ribs provide secure gripping area
- Supertough nylon housing

## Ordering Information

Description	Cord Diameter	UPC	Catalog Number
Plug, nylon, angle, 4-position	.625"-1.310" (15.9-33.3)	783585015415	HBL8432C

## Listings

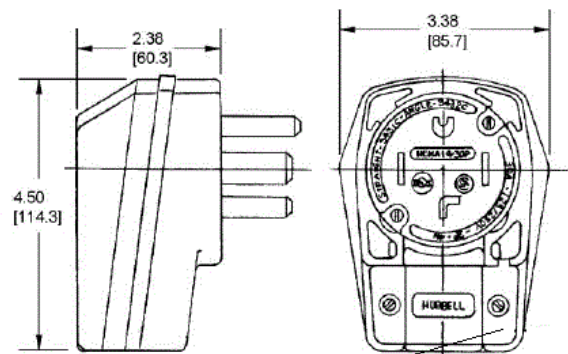
UL Listed File E1706  
 Certified to CSA

## Specifications

Housing	Supertough Nylon
Blade Holder	Reinforced Thermoplastic Polyester
Blades	Brass
Box Terminals	Copper Alloy
Cord Clamps	Reinforced Thermoplastic Polyester

## Performance

Electrical	
Current Interrupting	Certified for current interrupting at full rated current
Dielectric Voltage	Withstands 2,000V minimum
Mechanical	
Product Identification	Ratings are a permanent part of the device
Terminal Accommodation	#12 AWG through #4 AWG copper wire only
Terminal Identification	Terminals identified in accordance with UL 498 and CSA
Environmental	
Flammability	UL 94 HB
IP Suitability	IP20
Operating Temperatures	Maximum continuous 75°C; minimum -40°C (w/o impact)



CORD GRIP RANGE  
 Ø.625 TO Ø1.310  
 [15.88] [33.27]

## Resources

Customer Use Drawing  
 eCatalog

Dimensions in Inches (mm)

Hubbell Wiring Device-Kellems • Hubbell Incorporated (Delaware) • 40 Waterview Drive • Shelton, CT 06484

Phone (800) 288-6000 • Fax (800) 255-1031 • Specifications subject to change without notice.

