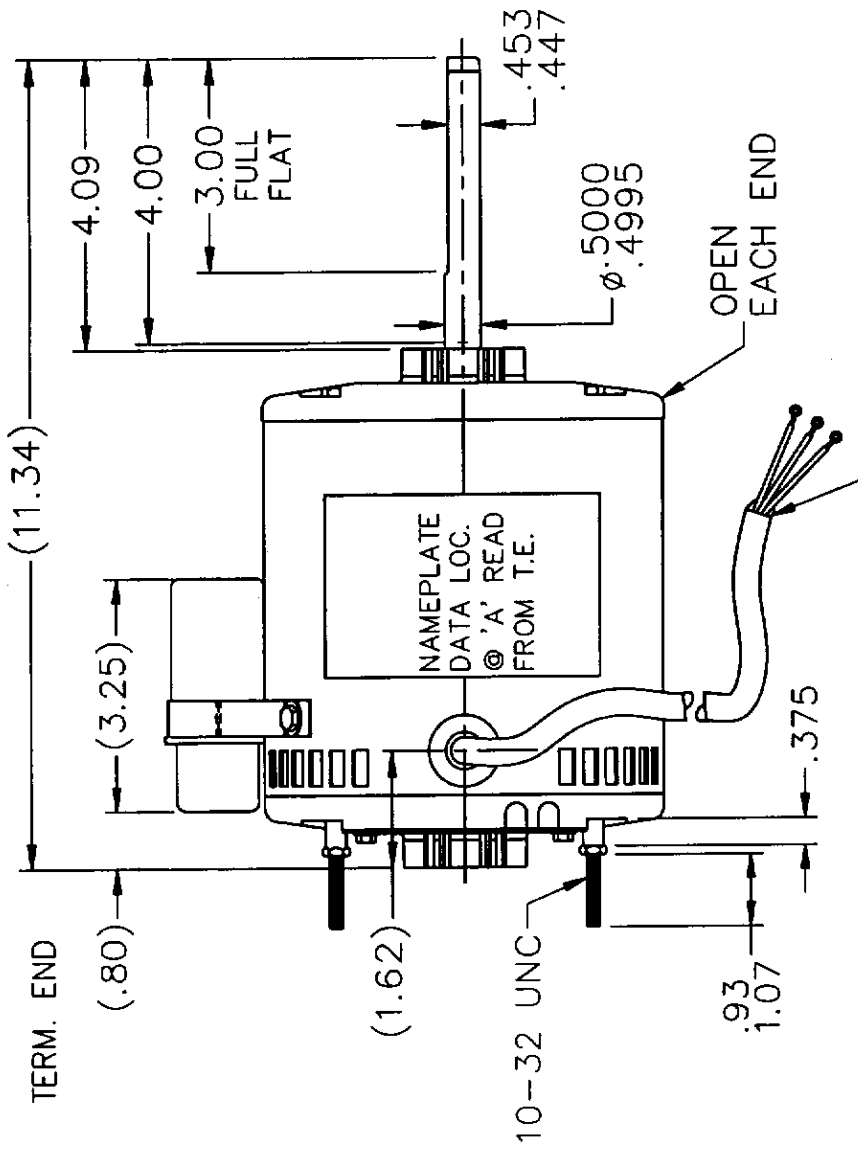
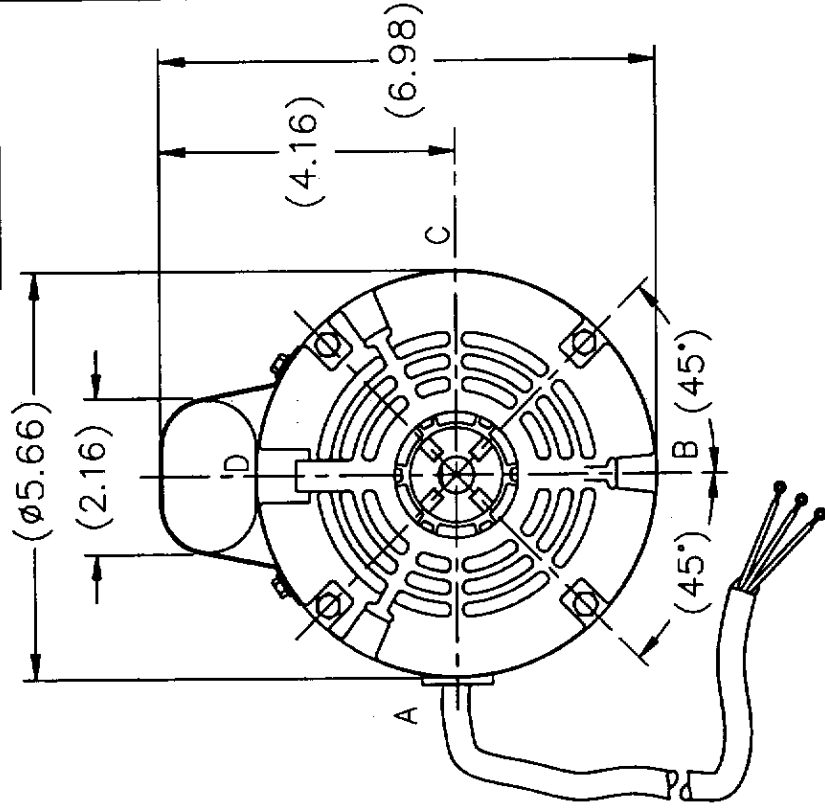


5BE62-0D



16-3 SEOW CORD 30" LONG WITH RING TERMINALS

TOLERANCES UNLESS SPECIFIED		DAYTON ELECTRIC MFG. CO. 5959 WEST HOWARD ST. NILES, IL 60714 USA		DRAWN RJW 04-28-2005
DEC.	INCHES	TITLE OUTLINE		CHK ML 04-27-2005
X	±.1	MATT'L		APPD MJS 04-27-2005
.XX	±.03	FINISH		SCALE 3=8
.XXX	±.005	CAD FILE 5BE62_OD		REF
.XXXX	±.0005	REV. OF		FMF MU66094
CHK ANG	±7'30"	PAGE OF		PREV SS403481
RFP	04-27-2005	SIZE A		DRAWING NO. 5BE62-0D
DIST	WP	REV.		

THIS DRAWING IN DESIGN AND DETAIL IS OUR PROPERTY AND MUST NOT BE USED EXCEPT IN CONNECTION WITH OUR WORK. ALL RIGHTS OF DESIGN AND INVENTION ARE RESERVED. THIS IS AN ELECTRONICALLY GENERATED DOCUMENT - DO NOT SCALE. THIS PRINT