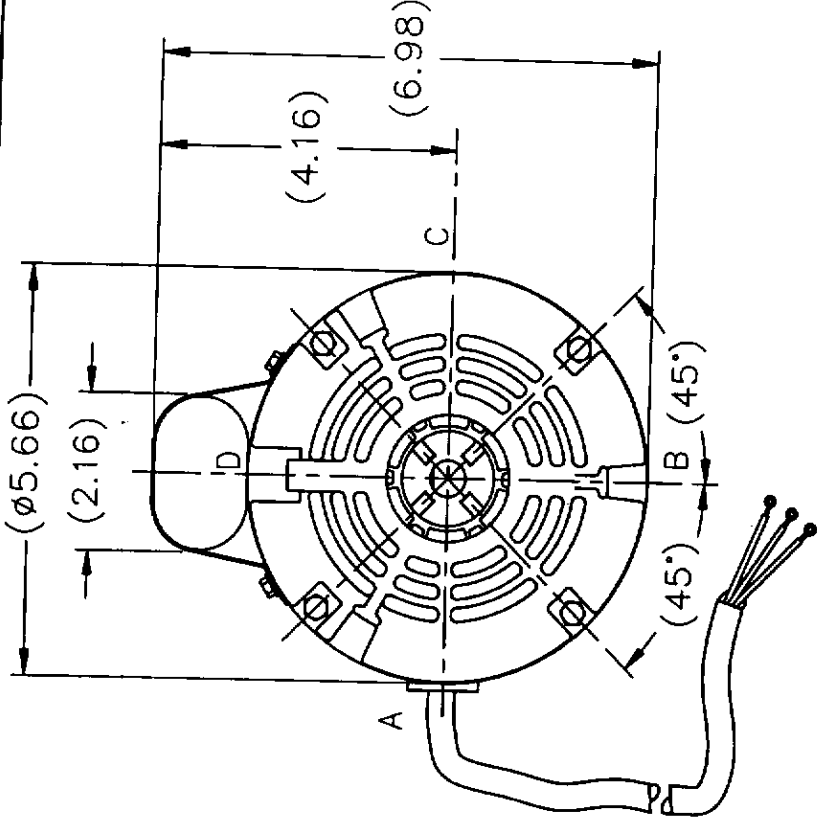
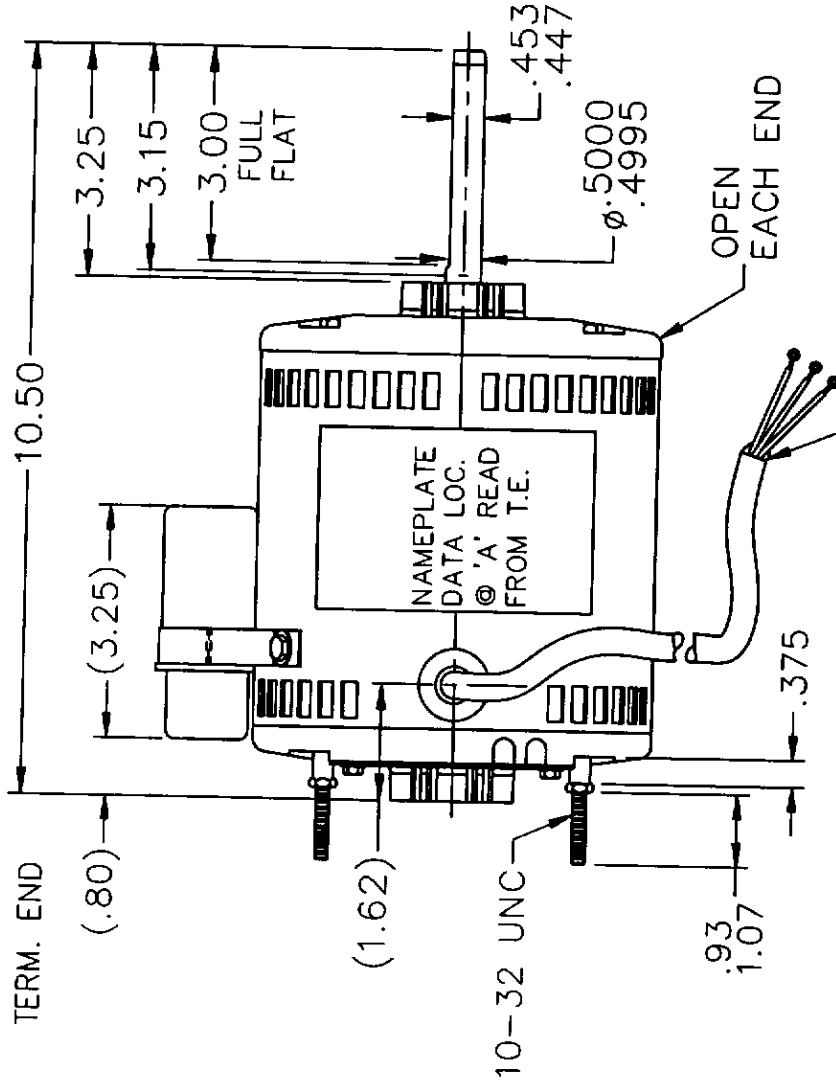


5BE52-0D



16-3 SEOW CORD 30" LONG WITH RING TERMINALS



Dayton Electric Mfg. Co.
5959 West Howard St.
Niles, IL 60714 USA

TOLERANCES UNLESS SPECIFIED		DRAWN RJW 04-22-2005	
DEC.	INCHES	CHK	ML 04-22-2005
.X	±.1	APPD	MJS 04-22-2005
.XX	±.03	SCALE	3=B
.XXX	±.005	REF	
.XXXX	±.0005	FMF	MU66080
CHK	ANG ±7'30"	PREV	SS403475
BY & DATE		TITLE OUTLINE	
RFP		MATERIAL FINISH	
DIST WP		CAD FILE 5BE52_OD	
THIS DRAWING IN DESIGN AND DETAIL IS OUR PROPERTY AND MUST NOT BE USED EXCEPT IN CONNECTION WITH OUR WORK ALL RIGHTS OF DESIGN AND INVENTION ARE RESERVED THIS IS AN ELECTRONICALLY GENERATED DOCUMENT - DO NOT SCALE THIS PRINT		SIZE DRAWING NO. PAGE OF REV.	
		A 5BE52-0D	