

Straight Blade Devices

20A, 125V, 2 Pole, 3 Wire Grounding

HBL[®] Extra Heavy Duty MAX Hospital Grade Duplex Receptacle

Features

- Deep body design with circuit ID face
- Patented ground contact provides redundant grounding
- Unique bypass contact design

Ordering Information

Description	Device Color	UPC Number	Catalog Number
Deep body design with circuit ID face. Back and side wired.	Ivory	783585435725	HBL83001

Listings

UL Listed to UL498 File No. E2186
CSA Certified 22.2, No. 42 File 285
Fed. Spec. W-C-596
NEMA[®] WD-6 Compliant

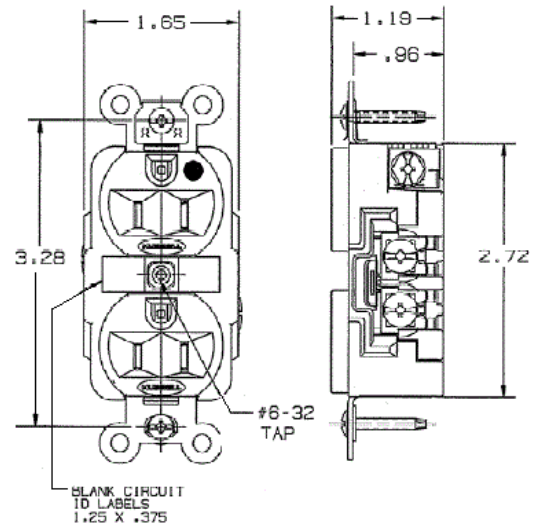
Specifications

Face	PBT
Base	PBT
By-Pass Power Contacts	.036" (.9) Nickel plated brass
Ground Contacts	Brass
Clamping Plate	Nickel plated brass
Terminal Screws	Plated brass
Mounting Strap	Nickel plated brass
Automatic Self-grounding Clip	Stainless steel
Mounting Screws	Stainless steel

Performance

Electrical	
Current Interrupting	Certified for current interrupting at full rated current
Dielectric Voltage	Withstands 2,000V minimum
Mechanical	
Product Identification	Ratings are a permanent part of the device
Terminal Accommodation	#12-#10 AWG stranded or solid copper wire only
Terminal Identification	Terminals identified in accordance with UL 498 and CSA
Environmental	
Flammability	UL 94 V-0
Operating Temperatures	Maximum continuous 75°C; minimum -40°C (w/o impact)

HUBBELL



Complementary Products

Wallplate or Weatherproof Cover

Duplex Opening

Online Resources

Customer Sales Drawings
eCatalog
Installation Instructions

Dimensions in Inches (mm)

Hubbell Wiring Device-Kellems • Hubbell Incorporated (Delaware) • 40 Waterview Drive • Shelton, CT 06484

Phone (800) 288-6000 • Fax (800) 255-1031 • Specifications subject to change without notice.

