

Little GIANT®

3E-12NRY SERIES



Features

- For submersed or in-line use
- Epoxy coated die-cast aluminum housing
- Oil-filled motor
- 21' maximum lift
- 200 watts
- 1/2" MNPT discharge
- Thermal overload protection

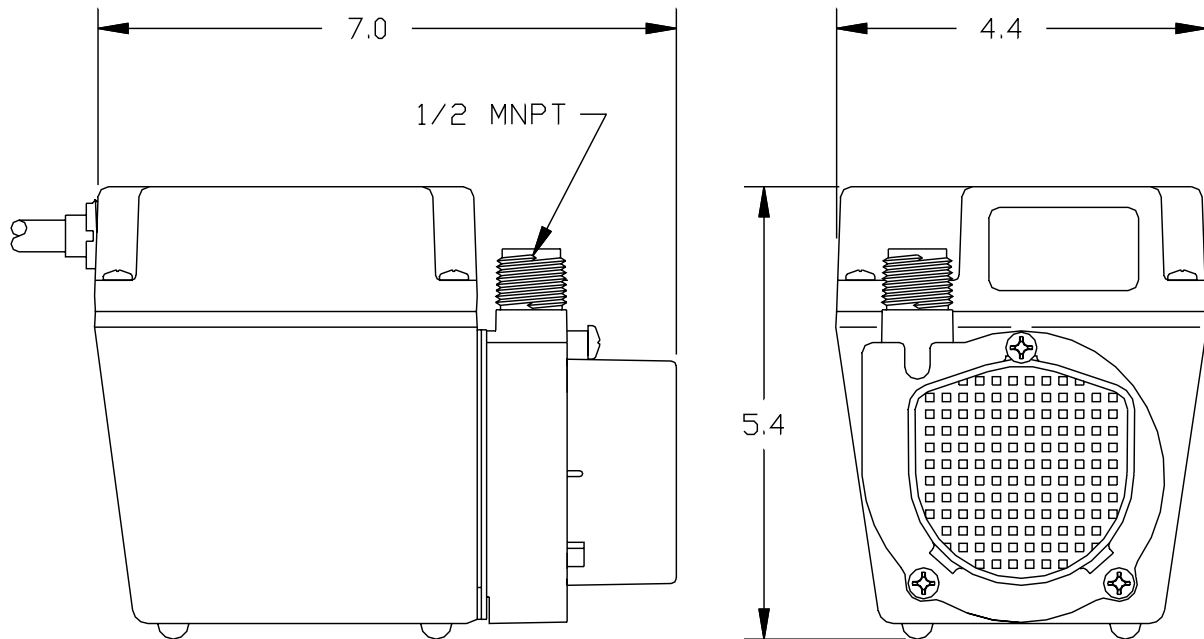
Construction

- Motor — 1/15 HP oil-filled
- Intermittent Liquid Temp. up to — 120°F
- Intake — 1/2" FNPT
- Discharge — 1/2" MNPT
- Housing — Epoxy coated cast aluminum
- Cover — Epoxy coated cast aluminum
- Volute — Nylon
- Impeller — Nylon
- Shaft Seal — Viton®
- Screen — Polypropylene



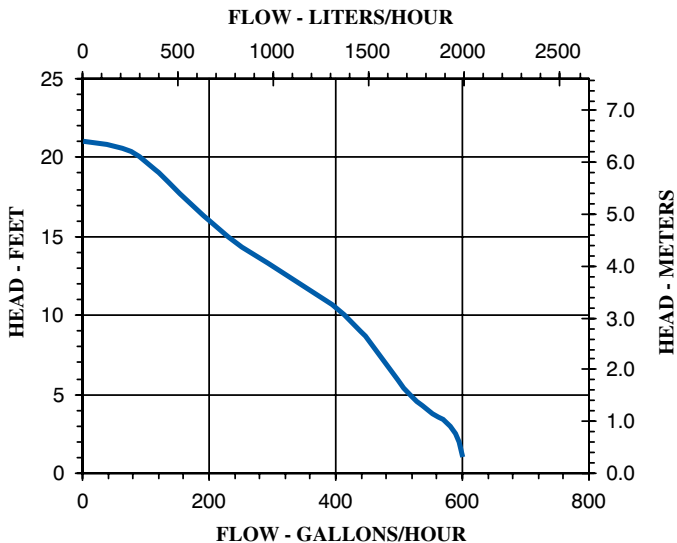
Dual purpose oil-filled pump that may be used totally submersed or in-line (fed with pipe or hose). For commercial, industrial and home applications including statuary fountains, water displays, air conditioners, machine tool coolants, and many other applications where liquid must be transferred or recirculated. This compact 600 GPH pump features a 1/2" MNPT discharge and 21' shut-off head capability.

3E-12NRY SERIES



Specifications

Model No.	Item No.	Discharge Size	Intake Size	Listing(s)	HP	Volts	Hertz	Amps	Watts	Performance (GPH@Head)					Shutoff		Cord Length (ft.)	Weight (lbs.)
										1'	3'	5'	10'	20'	Ft.	P.S.I.		
3E-12NRY	503216	1/2" MNPT	1/2" FNPT	UR/C-GSA	1/15	230	50/60	1.7/1.4	200	600	580	517	414	90	21	9.1	12	8.75



Replacement Parts

Volute	103330
Impeller	103437
Screen	102909
Gasket	103601