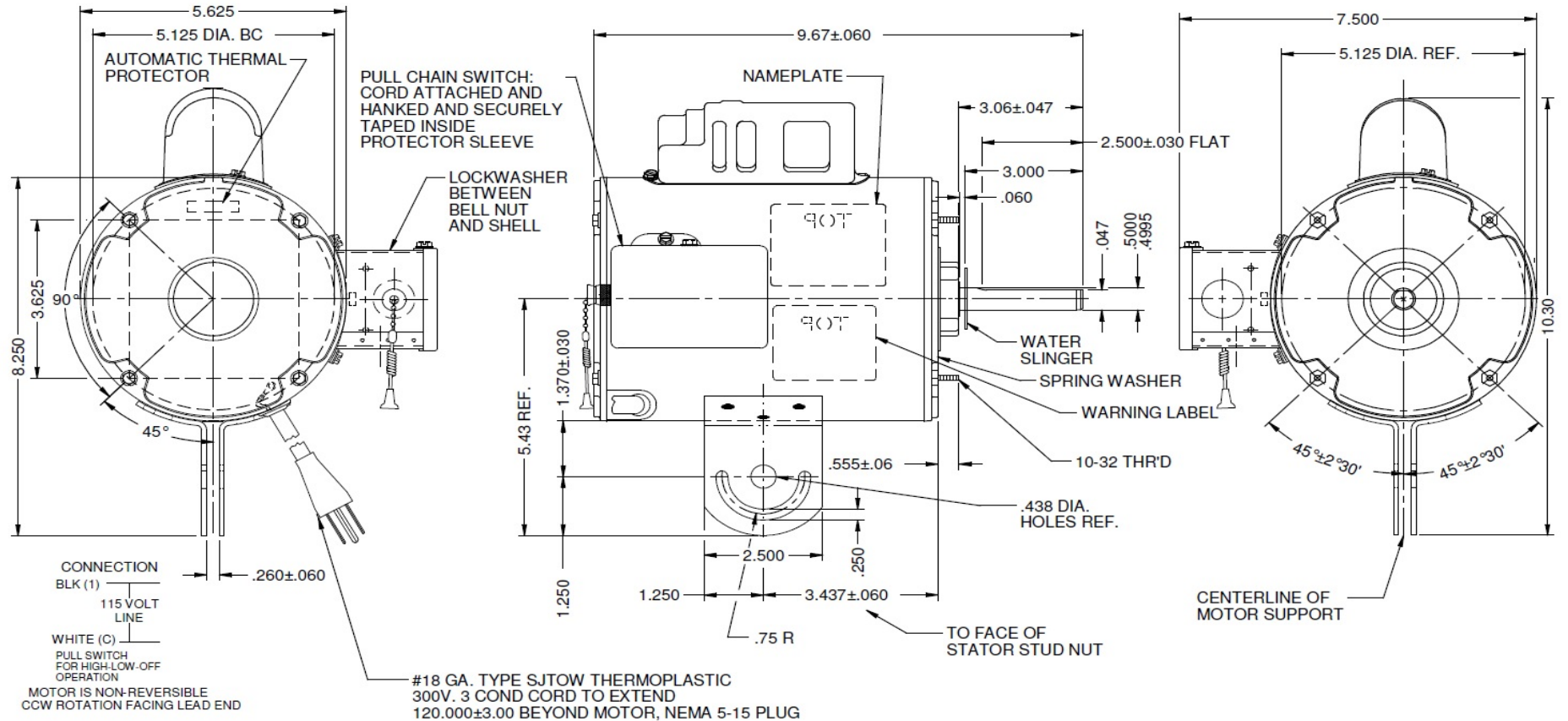


Dimensional Drawing

4UX61BG

REV.
-

MODEL	REF	CUSTOMER	HP	VOLTS	AMPS	HZ	RPM	ROTATION	CUSTOMER PT. NO.	DESCRIPTION / REMARKS
K55HXFAB-2326		GRAINGER	1/4	115	3.1	60	1075/2 SPD	CCW LEAD END	4UX61BG	PSC, 48YZ, TEAO, BALL BEARING



DRAWING NO.	PAGE 1 of 1	REV.
4UX61BG		-

4UX61BG

REV.

-

SHADED-POLE & PSC MOTOR PERFORMANCE

HP:	1/4						
Poles:	6						
Ambient (°C):	40						
Altitude (FASL):							
No. of Speeds:	2						
HIGH SPEED							
Volts:	115	115					
HZ:	60	60					
Service Factor:	1						
Efficiency:	@ Rated Load	62.3					
Power Factor:	@ Rated Load	85.6					
Amps:	@ No Load						
	@ Rated Load	3.1	NP				
	@ Locked Rotor	7.3					
RPM:	@ Rated Load	1091					
Torques:	Breakdown	25.4					
	Locked Rotor	5.5					
	Pull-Up	4.9					
	Rated Load	19.5	NP				
	Service Factor	19.5	NP				
Watts:	Rated Load	304					
Temperature Rise:	@ Rated Load	-					
Thermal Protector:	Trip Temp (°C)	-					
Winding Material:	Start (Auxiliary)	Cu					
	Run (Main)	Cu					
Capacitor(s):	Run (MFD / Volts)	5 mFd, 440v					
	No. of Run Capacitors						

MEDIUM-HIGH SPEED

HP:							
Volts:							
HZ:							
Efficiency:	@ Rated Load						
Power Factor:	@ Rated Load						
Amps:	@ No Load						
	@ Rated Load						
	@ Locked Rotor						
Torques: Oz.Ft. / Lb.In. (Circle One)	Breakdown						
	Locked Rotor						
	Pull-Up						
	Rated Load						
Watts:	@ Rated Load						
Temperature Rise:	@ Rated Load						

DRAWING NO. PAGE 1 of 1
4UX61BG

REV.
-

Performance Data



4UX61BG

REV.

-

Dayton Manufacturing Company

Motor Description

Model: K055FAB2326 4UX61BG
 Motor ID: 2
 Poles: 6
 Volts: 115
 Frequency: 60
 HP: 1/4
 Speed: 1075
 Phase: 1
 Protector: 7AM036-A5

Test Conditions

Test Type: Start
 Test Number: 8
 Poles: 6
 Volts: 115
 Hz: 60
 Rotation:
 Special Cond:
 Speed Conn: M1
 TestBoard: CMD InLine Three Phase #2 Fixture #1
 Run Cap: 5
 Start Cap: 0µfd
 Environment: 22.4 Deg C 28 % RH 968 hPa
 Tested: 2/12/2016 2:22:56 PM
 Tested By: Navarro, Susana
 Gear Ratio: 1:1
 Bearing Friction: -0.12 Oz-Ft
 Windage Torque: -0.83 Oz-Ft

Special Points	Vline (V)	Vaux (V)	Vcap (V)	Iline (A)	Watts	RPM	Tq (Oz-ft)	HP	Eff (%)	PF (%)
	115.0	51.2	219.5	7.330	615.9	38	5.53	0.002	0.3	73.1
PUT OZ-FT	115.0	51.0	218.1	7.321	614.9	59	4.85	0.003	0.4	73.0
	115.0	51.1	214.5	7.282	612.5	129	5.54	0.009	1.0	73.1
	115.0	52.7	209.9	7.216	608.9	230	7.84	0.021	2.6	73.4
	115.0	55.1	205.4	7.124	603.0	325	9.14	0.035	4.4	73.6
	115.0	60.0	201.8	7.034	598.3	413	10.39	0.051	6.4	74.0
	115.0	68.0	200.6	6.908	594.8	494	11.93	0.070	8.8	74.9
	115.0	76.6	200.6	6.736	588.6	571	14.06	0.095	12.1	76.0
	115.0	85.4	200.7	6.531	578.9	641	16.42	0.125	16.1	77.1
	115.0	95.0	201.8	6.299	566.3	706	18.50	0.156	20.5	78.2
	115.0	106.7	204.6	6.000	549.2	774	21.29	0.196	26.6	79.6
	115.0	116.8	208.5	5.743	532.0	822	21.98	0.215	30.2	80.6
	115.0	128.3	214.0	5.446	511.2	869	22.87	0.237	34.5	81.6
	115.0	141.4	222.0	5.101	485.4	915	23.57	0.257	39.5	82.8
	115.0	154.4	231.5	4.745	457.3	957	23.99	0.273	44.6	83.8
	115.0	167.4	242.2	4.386	427.1	992	23.75	0.281	49.0	84.7
	115.0	181.1	255.0	3.997	392.5	1026	22.96	0.280	53.3	85.4
	115.0	194.4	268.5	3.614	356.6	1055	21.58	0.271	56.7	85.8
	115.0	207.5	283.2	3.222	317.4	1081	19.71	0.254	59.6	85.6
	115.0	219.3	296.8	2.865	281.1	1104	17.48	0.230	61.0	85.3
	115.0	231.8	313.0	2.461	237.1	1126	14.74	0.198	62.2	83.8
	115.0	238.6	322.3	2.240	211.9	1140	12.23	0.166	58.4	82.3
	115.0	245.6	333.8	1.964	179.5	1154	9.84	0.135	56.2	79.5
	115.0	250.9	344.9	1.724	150.0	1165	7.34	0.102	50.6	75.7
6.425 OZ-FT	115.0	252.9	349.6	1.645	139.0	1170	6.43	0.089	48.0	73.5
	115.0	255.6	355.5	1.554	125.7	1175	5.17	0.072	42.9	70.3
	115.0	259.1	362.8	1.471	108.9	1182	3.21	0.045	31.0	64.4
	115.0	262.2	368.5	1.419	94.6	1188	1.22	0.017	13.6	58.0
	115.0	264.0	371.6	1.394	85.5	1193	0.21	0.003	2.6	53.3
	115.0	264.9	372.5	1.387	81.3	1195	0.00	0.000	0.0	51.0

DRAWING NO. PAGE 1 of 4 REV.
4UX61BG -

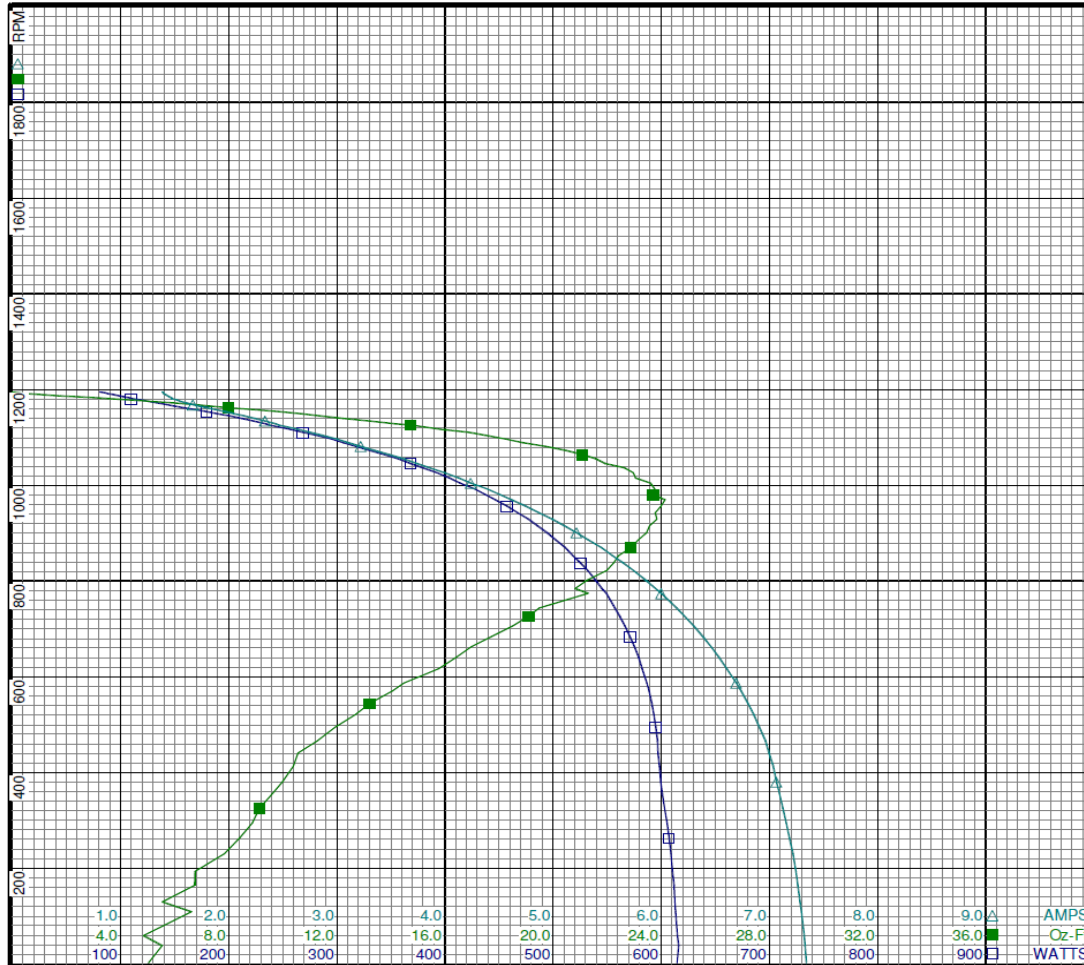
Dayton Electric Mfg. Co. Lake Forest, IL 60045 USA

Performance Data



4UX61BG

REV.
-



Curve Descriptions:

Motor(1) Test 8 Start 115V 60 Hz 6P
M1 5ufd Run

- SPEED vs WATTS
- SPEED vs TORQUE
- △ SPEED vs ILine

Motor Ratings:

(1) K055FAB2326 4UX61BG

DRAWING NO.	PAGE 2 of 4	REV.
4UX61BG		-

Dayton Electric Mfg. Co. Lake Forest, IL 60045 USA

Performance Data



4UX61BG

REV.

-

Dayton Manufacturing Company

Motor Description

Model: K055FAB2326 4UX61BG
 Motor ID: 2
 Poles: 6
 Volts: 115
 Frequency: 60
 HP: 1/4
 Speed: 1075
 Phase: 1
 Protector: 7AM036-A5

Test Conditions

Test Type: Run
 Test Number: 6
 Poles: 6
 Volts: 115
 Hz: 60
 Rotation:
 Special Cond:
 Speed Conn: M1
 TestBoard: CMD InLine Three Phase #2 Fixture #1
 Run Cap: 5
 Start Cap: 0µfd
 Environment: 22.4 Deg C 28 % RH 968 hPa
 Tested: 2/12/2016 2:21:20 PM
 Tested By: Navarro, Susana
 Gear Ratio: 1:1
 Bearing Friction: -0.13 Oz-Ft
 Windage Torque: -0.75 Oz-Ft

Special Points	Vline(V)	Vaux (V)	Vcap(V)	Iline (A)	Watts	RPM	Tq(Oz-ft)	HP	Eff (%)	PF (%)
	115.0	264.9	372.5	1.391	79.2	1193	0.00	0.000	0.0	49.5
	115.0	262.8	368.3	1.412	91.3	1189	1.29	0.018	15.0	56.2
	115.0	259.6	362.5	1.463	106.4	1183	2.77	0.039	27.3	63.2
	115.0	255.6	354.9	1.554	124.8	1175	4.87	0.068	40.7	69.9
	115.0	250.9	345.1	1.717	148.5	1165	7.19	0.100	50.1	75.2
7.33 OZ-FT	115.0	250.7	344.5	1.728	149.9	1165	7.33	0.102	50.6	75.4
	115.0	246.1	334.9	1.936	175.5	1154	9.84	0.135	57.5	78.8
	115.0	239.0	323.3	2.213	208.0	1140	12.61	0.171	61.4	81.7
	115.0	229.7	310.1	2.542	245.8	1123	15.42	0.206	62.6	84.1
	115.0	219.0	296.5	2.877	282.0	1103	18.27	0.240	63.5	85.2
0.25 HP	115.0	214.3	290.9	3.025	297.4	1094	19.20	0.250	62.7	85.5
19.53 OZ-FT	115.0	212.4	288.6	3.086	303.7	1091	19.53	0.254	62.3	85.6
	115.0	207.5	282.8	3.239	319.6	1082	20.30	0.261	61.0	85.8
	115.0	194.9	269.0	3.613	356.3	1056	22.37	0.281	58.9	85.7
	115.0	181.5	255.1	4.012	394.0	1026	24.05	0.294	55.7	85.4
	115.0	167.6	242.3	4.408	429.2	993	25.03	0.296	51.4	84.7
	115.0	154.3	231.0	4.787	461.2	957	25.20	0.287	46.4	83.8
BDT OZ-FT	115.0	145.9	224.8	5.011	479.3	932	25.42	0.282	43.9	83.2
	115.0	140.6	221.1	5.157	490.4	916	24.93	0.272	41.3	82.7
	115.0	128.1	213.5	5.490	515.0	871	24.50	0.254	36.8	81.6
	115.0	116.0	207.6	5.806	536.8	821	23.21	0.227	31.5	80.4
	115.0	104.7	203.7	6.089	554.5	766	21.66	0.198	26.6	79.2
	115.0	94.5	201.4	6.342	569.3	707	20.05	0.169	22.1	78.1
	115.0	85.1	200.4	6.565	581.1	643	18.05	0.138	17.7	77.0
	115.0	76.4	200.3	6.760	590.3	573	15.97	0.109	13.8	75.9
	115.0	67.9	200.6	6.924	596.4	499	14.00	0.083	10.4	74.9
	115.0	59.8	201.5	7.048	599.4	413	12.09	0.059	7.4	74.0
	115.0	55.0	204.9	7.122	603.0	327	11.14	0.043	5.4	73.6
	115.0	52.6	209.5	7.200	608.6	233	9.98	0.028	3.4	73.5
	115.0	51.1	213.8	7.261	612.6	133	8.12	0.013	1.6	73.4

DRAWING NO. PAGE 3 of 4 REV.
 4UX61BG -

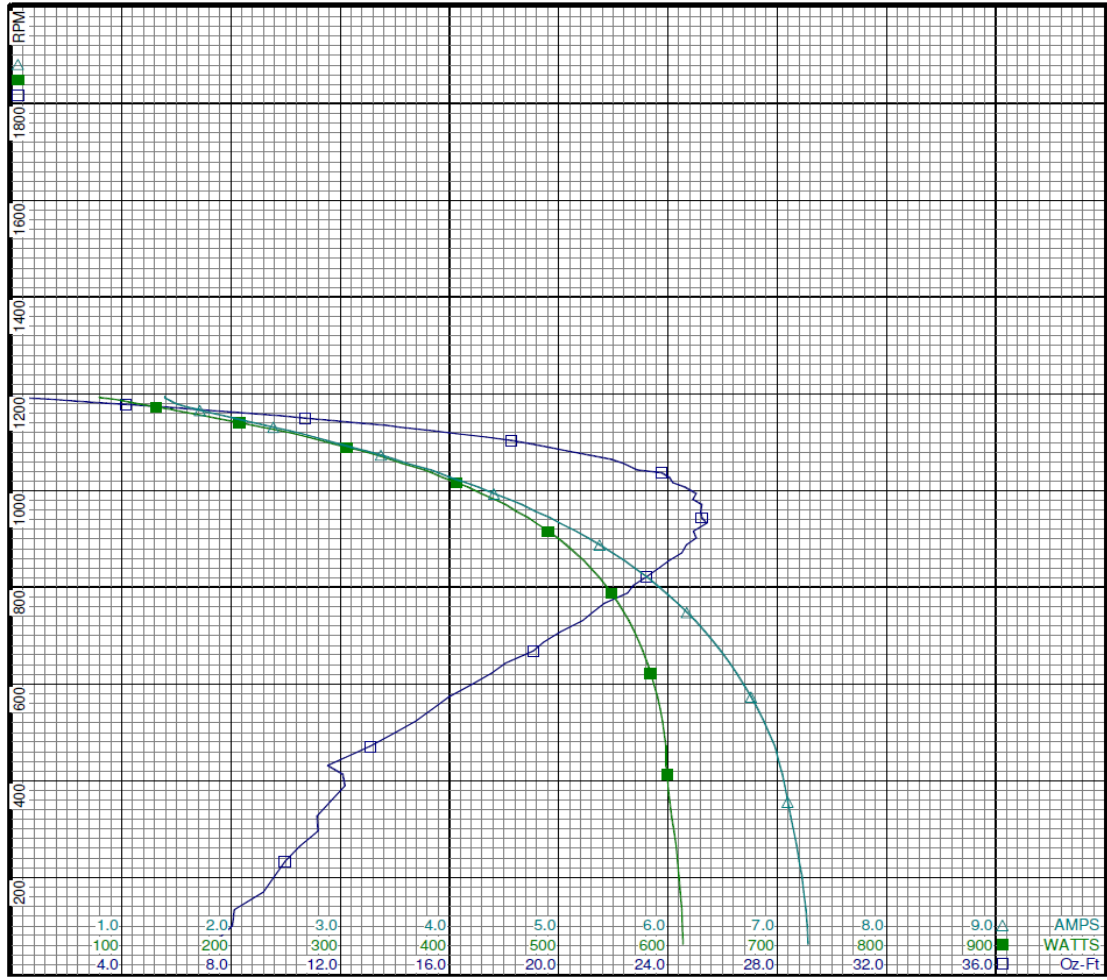
Dayton Electric Mfg. Co. Lake Forest, IL 60045 USA

Performance Data



4UX61BG

REV.
-



Curve Descriptions:
 Motor(1) Test 6 Run 115V 60 Hz 6P
 M1 Sufd Run
 □ SPEED vs TORQUE
 ■ SPEED vs WATTS
 △ SPEED vs ILine

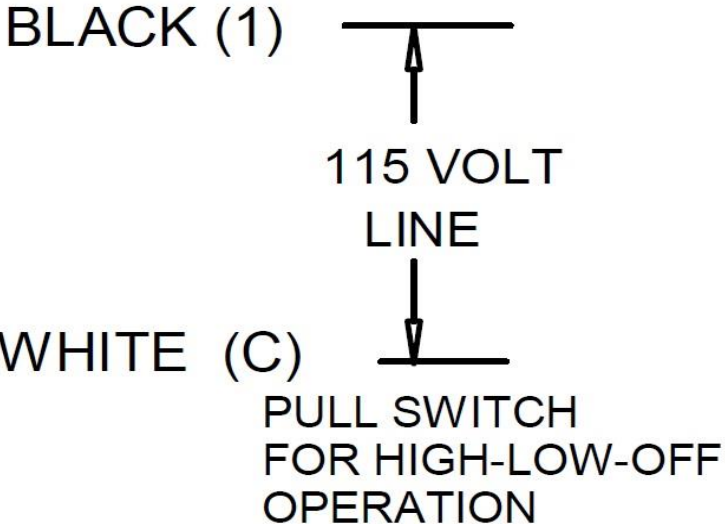
Motor Ratings:
 (1) K055FAB2326 4UX61BG

DRAWING NO. PAGE 4 of 4 REV.
 4UX61BG -

Dayton Electric Mfg. Co. Lake Forest, IL 60045 USA

4UX61BG	REV. -
---------	-----------

CONNECTIONS



MOTOR IS NON-REVERSIBLE
CCW ROTATION FACING LEAD END

DRAWING NO.	PAGE 1 of 1	REV.
4UX61BG		-

