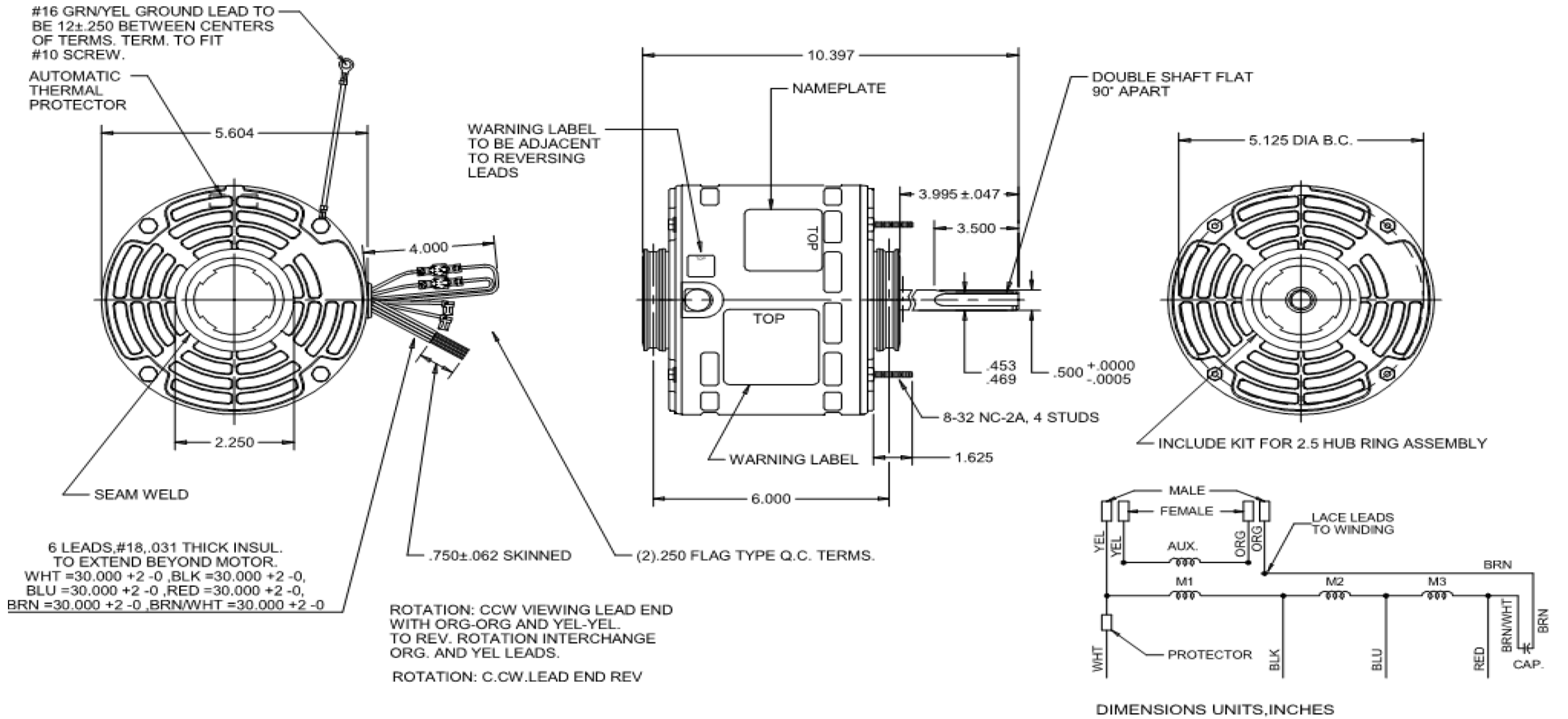


Dimensional Drawing

4M183BH

REV.
-

MODEL	REF	CUSTOMER	HP	VOLTS	AMPS	HZ	RPM	ROTATION	CUSTOMER PN	DESCRIPTION / REMARKS
K55HXWPY-2236		DAYTON	3/4	115	11.5	60	1075	C.CW. LEAD END REV	4M183BH	SAB



DRAWING NO.	PAGE 1 of 1	REV.
4M183BH		-

Performance Data



4M183BH

REV.

-

SHADED-POLE & PSC MOTOR PERFORMANCE

HP:	3/4							
Poles:	6							
Ambient (°C):	40							
Altitude (FASL):	1000							
No. of Speeds:	3							
HIGH SPEED								
Volts:	115	115	208	230	277	460	100	200
HZ:	60	60	60	60	60	60	50	50
Service Factor:	1.0							
Efficiency:	@ Rated Load	57.7						
Power Factor:	@ Rated Load	79.7						
Amps:	@ No Load	6.6						
	@ Rated Load	11.5						
	@ Locked Rotor	24.7						
RPM:	@ Rated Load	1075						
Torques: Oz.Ft.	Breakdown	73.8						
	Locked Rotor	10.1						
	Pull-Up							
	Rated Load	63.7						
	Service Factor	1.0						
Watts:	Rated Load	1054						
Temperature Rise:	@ Rated Load							
Thermal Protector:	Trip Temp (°C)	140~150						
Winding Material:	Start (Auxiliary)	AL						
	Run (Main)	Copper						
Capacitor:	Run (MFD / Volts)	15.0 MFD 370V						
	No. of Run Capacitors	1						
MEDIUM-HIGH SPEED								
HP:	3/4							
Volts:	115	115	208	230	277	460	100	200
HZ:	60	60	60	60	60	60	50	50
Efficiency:	@ Rated Load							
Power Factor:	@ Rated Load							
Amps:	@ No Load	3.7						
	@ Rated Load							
	@ Locked Rotor							
Torques: Oz.Ft.	Breakdown	56.4						
	Locked Rotor	5.6						
	Pull-Up							
	Rated Load							
Watts:	Rated Load							
Temperature Rise:	@ Rated Load							

DRAWING NO. PAGE 1 REV.
4M183BH -

Dayton Electric Mfg. Co. Lake Forest, IL 60045 USA

4M183BH

REV.
-

SHADED-POLE & PSC MOTOR PERFORMANCE

MEDIUM-LOW SPEED

HP:	3/4							
Volts:	115	115	208	230	277	460	100	200
HZ:	60	60	60	60	60	60	50	50
Efficiency:	@ Rated Load							
Power Factor:	@ Rated Load							
Amps:	@ No Load							
	@ Rated Load							
Torques: Oz.Ft.	Breakdown							
	Locked Rotor							
	Pull-Up							
	Rated Load							
Watts:	Rated Load							
Temperature Rise:	@ Rated Load							
Watts:	Rated Load							
Temperature Rise:	@ Rated Load							
Thermal Protector:	Trip Temp (°C)							
Winding Material:	Start (Auxiliary)							
	Run (Main)							

LOW SPEED

HP:	3/4							
Volts:	115	120	208	230	277	460	100	200
HZ:	60	60	60	60	60	60	50	50
Efficiency:	@ Rated Load							
Power Factor:	@ Rated Load							
Amps:	@ No Load	2.8						
	@ Rated Load							
Torques: Oz.Ft.	Breakdown	44						
	Locked Rotor	4.9						
	Pull-Up							
	Rated Load							
Watts:	Rated Load							
Temperature Rise:	@ Rated Load							

Notes:

DRAWING NO. PAGE 1 REV.
4M183BH -

Performance Data



4M183BH

REV.

-

Dayton Manufacturing Company

Motor Description

Model: 4M183BH
 Motor ID: 1/1
 Poles: 6
 Volts: 115
 Frequency: 60
 HP: 3/4
 Speed: 1075/3SPD
 Phase: 1
 Protector: 7AM036-A5

Test Conditions

Test Type: Run
 Test Number: 1
 Poles: 6
 Volts: 115
 Hz: 60
 Rotation:
 Special Cond:
 Speed Conn: M1
 TestBoard: Amps Performance Fixture #3
 Run Cap: 15MFD
 Start Cap: 0µfd
 Environment:
 Tested: 7/29/2015 10:40:21 AM
 Tested By: Sharp, Gerald
 Gear Ratio: 1:1
 Bearing Friction: -1.05 Oz-Ft
 Windage Torque: -1.78 Oz-Ft

Special Points	Vline (V)	Vaux (V)	Vcap (V)	Iline (A)	Watts	RPM	Tq(Oz-ft)	HP	Eff (%)	PF (%)
	115.0	251.2	300.0	6.34	244.5	1194	0.00	0.000	0.0	33.5
	115.0	244.3	289.2	6.30	338.2	1181	10.72	0.151	33.2	46.7
	115.0	236.8	277.5	6.62	439.3	1169	20.79	0.289	49.1	57.7
	115.0	230.3	267.7	7.14	533.2	1155	29.07	0.400	55.9	64.9
	115.0	223.4	257.8	7.83	633.3	1142	37.11	0.505	59.4	70.3
	115.0	216.7	249.0	8.62	737.2	1127	44.69	0.600	60.7	74.4
	115.0	210.1	240.9	9.46	837.6	1112	51.61	0.683	60.8	77.0
	115.0	201.9	231.4	10.45	946.4	1094	58.15	0.758	59.7	78.8
	115.0	193.2	221.9	11.41	1045.3	1077	63.28	0.811	57.9	79.7
1075 RPM	115.0	192.4	221.0	11.50	1054.3	1075	63.70	0.815	57.7	79.8
	115.0	184.0	212.1	12.42	1145.4	1057	67.26	0.846	55.1	80.2
	115.0	174.4	202.6	13.40	1234.7	1035	70.37	0.867	52.4	80.1
	115.0	164.8	193.4	14.40	1321.4	1011	72.44	0.872	49.2	79.8
	115.0	155.2	185.0	15.37	1398.8	986	73.06	0.858	45.7	79.2
BDT OZ-FT	115.0	152.5	182.6	15.65	1422.0	978	73.76	0.859	45.0	79.0
	115.0	145.7	177.0	16.32	1473.5	957	72.99	0.832	42.1	78.5
	115.0	136.2	169.8	17.24	1538.0	928	72.89	0.805	39.1	77.6
	115.0	127.0	163.4	18.12	1596.9	895	70.58	0.752	35.1	76.6
	115.0	118.2	158.0	18.95	1648.1	860	68.25	0.699	31.6	75.6
	115.0	109.6	153.4	19.73	1692.8	820	65.05	0.635	28.0	74.6
	115.0	101.3	150.0	20.46	1728.8	780	61.16	0.568	24.5	73.5
	115.0	93.7	147.4	21.13	1760.9	736	57.60	0.504	21.4	72.5
	115.0	86.4	145.9	21.75	1787.5	687	52.90	0.432	18.0	71.5
	115.0	79.6	145.0	22.31	1809.8	634	47.53	0.359	14.8	70.5
	115.0	73.0	144.8	22.82	1826.7	578	42.19	0.290	11.9	69.6
	115.0	66.9	145.3	23.27	1840.2	518	37.16	0.229	9.3	68.8
	115.0	60.7	145.7	23.66	1848.8	456	31.56	0.171	6.9	67.9
	115.0	55.2	146.9	24.00	1857.2	388	26.45	0.122	4.9	67.3
	115.0	50.1	148.2	24.28	1860.3	314	21.22	0.079	3.2	66.6
	115.0	45.0	149.5	24.48	1862.1	237	16.98	0.048	1.9	66.1
	115.0	42.0	151.1	24.62	1862.2	154	14.28	0.026	1.0	65.8

DRAWING NO.	PAGE 1 of 6	REV.
	4M183BH	-

Dayton Electric Mfg. Co. Lake Forest, IL 60045 USA

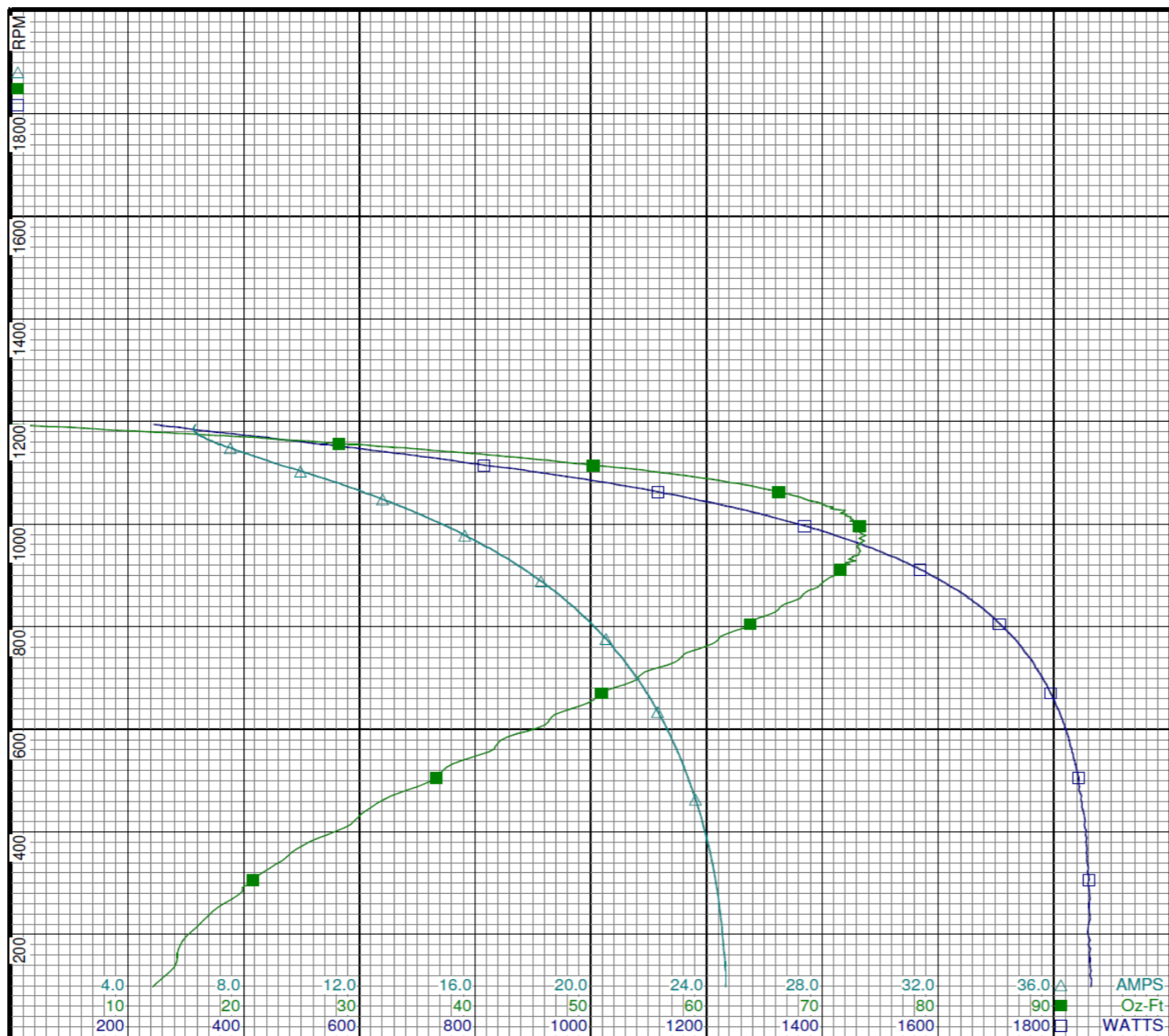
Performance Data



4M183BH

REV.

-



Curve Descriptions:

Motor(1) Test 1 Run 115V 60 Hz 6P M1

- SPEED vs WATTS
- SPEED vs TORQUE
- △ SPEED vs ILine

Motor Ratings:

4M183BH

DRAWING NO.	PAGE 2 of 6	REV.
4M183BH		-

Dayton Electric Mfg. Co. Lake Forest, IL 60045 USA

Performance Data



4M183BH

REV.

-

Dayton Manufacturing Company

Motor Description

Model: 4M183BH
 Motor ID: 1/1
 Poles: 6
 Volts: 115
 Frequency: 60
 HP: 3/4
 Speed: 1075/3SPD
 Phase: 1
 Protector: 7AM036-A5

Test Conditions

Test Type: Run
 Test Number: 2
 Poles: 6
 Volts: 115
 Hz: 60
 Rotation:
 Special Cond:
 Speed Conn: M2
 TestBoard: Amtps Performance Fixture #3
 Run Cap: 15MFD
 Start Cap: 0µfd
 Environment:
 Tested: 7/29/2015 11:51:52 AM
 Tested By: Sharp, Gerald
 Gear Ratio: 1:1
 Bearing Friction: -1.05 Oz-Ft
 Windage Torque: -1.45 Oz-Ft

Special Points	Vline (V)	Vaux (V)	Vcap (V)	Iline (A)	Watts	RPM	Tq (Oz-ft)	HP	Eff (%)	PF (%)
	115.0	230.9	272.3	3.873	160.8	1195	0.00	0.000	0.0	36.1
	115.0	224.6	262.7	3.987	236.0	1182	7.99	0.112	35.6	51.5
	115.0	217.0	250.6	4.458	328.6	1168	16.86	0.234	53.2	64.1
	115.0	210.1	241.0	4.957	402.8	1156	23.21	0.319	59.2	70.7
	115.0	202.8	231.2	5.571	481.9	1142	29.56	0.402	62.2	75.2
	115.0	195.4	222.2	6.229	560.9	1127	35.27	0.473	62.9	78.3
	115.0	188.1	213.4	6.919	638.1	1111	40.41	0.535	62.5	80.2
	115.0	180.3	204.8	7.645	714.3	1094	44.89	0.585	61.1	81.2
	115.0	172.2	196.1	8.391	788.4	1076	48.80	0.625	59.1	81.7
1075 RPM	115.0	171.8	195.6	8.432	792.6	1075	48.93	0.626	58.9	81.7
	115.0	164.3	188.0	9.129	858.2	1057	51.68	0.651	56.6	81.7
	115.0	155.9	179.9	9.863	924.3	1036	53.81	0.663	53.6	81.5
	115.0	147.7	172.3	10.602	988.6	1013	55.46	0.669	50.4	81.1
	115.0	139.3	165.0	11.327	1047.1	988	56.25	0.661	47.1	80.4
BDT OZ-FT	115.0	133.5	160.3	11.832	1087.2	968	56.42	0.650	44.6	79.9
	115.0	130.9	158.3	12.044	1101.8	960	56.08	0.641	43.4	79.5
	115.0	122.6	152.2	12.732	1151.0	930	55.71	0.617	40.0	78.6
	115.0	114.4	146.8	13.386	1195.7	898	54.19	0.580	36.2	77.7
	115.0	106.5	142.3	14.011	1233.5	863	52.78	0.542	32.8	76.6
	115.0	98.8	138.6	14.601	1267.9	825	50.10	0.492	29.0	75.5
	115.0	91.5	135.7	15.141	1295.6	785	47.72	0.446	25.7	74.4
	115.0	84.4	133.6	15.648	1321.2	739	44.66	0.393	22.2	73.4
	115.0	77.8	132.3	16.122	1341.5	692	40.60	0.335	18.6	72.4
	115.0	71.6	131.7	16.547	1357.7	641	36.89	0.281	15.5	71.3
	115.0	65.5	131.5	16.931	1370.6	585	33.52	0.233	12.7	70.4
	115.0	59.8	131.9	17.277	1379.8	526	29.44	0.184	10.0	69.5
	115.0	54.2	132.5	17.580	1387.0	462	24.74	0.136	7.3	68.6
	115.0	48.9	133.6	17.814	1391.8	396	20.64	0.097	5.2	67.9
	115.0	44.7	135.4	18.004	1395.1	324	17.95	0.069	3.7	67.4
	115.0	41.5	137.6	18.159	1398.5	246	14.34	0.042	2.2	67.0
	115.0	39.3	139.8	18.263	1401.3	164	12.37	0.024	1.3	66.7

DRAWING NO.	PAGE 3 of 6	REV.
	4M183BH	-

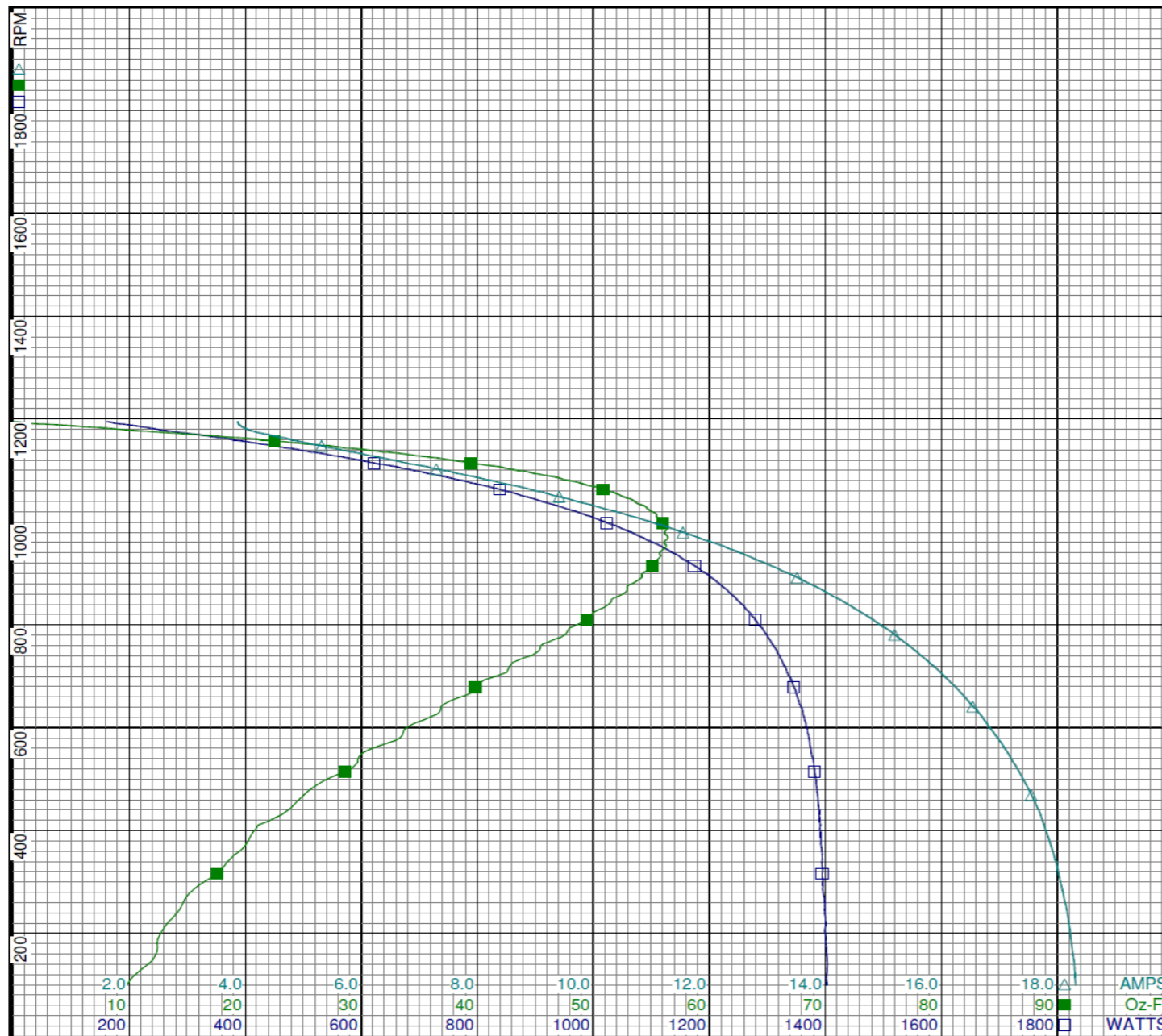
Performance Data



4M183BH

REV.

-



Curve Descriptions:

Motor(1) Test 2 Run 115V 60 Hz 6P M2

- SPEED vs WATTS
- SPEED vs TORQUE
- △ SPEED vs ILine

Motor Ratings:

4M183BH

DRAWING NO.	PAGE 4 of 6	REV.
4M183BH		-

Dayton Electric Mfg. Co. Lake Forest, IL 60045 USA

Performance Data



4M183BH

REV.

-

Dayton Manufacturing Company

Motor Description

Model: 4M183BH
 Motor ID: 1/1
 Poles: 6
 Volts: 115
 Frequency: 60
 HP: 3/4
 Speed: 1075/3SPD
 Phase: 1
 Protector: 7AM036-A5

Test Conditions

Test Type: Run
 Test Number: 3
 Poles: 6
 Volts: 115
 Hz: 60
 Rotation:
 Special Cond:
 Speed Conn: M3
 TestBoard: Amtps Performance Fixture #3
 Run Cap: 15MFD
 Start Cap: 0µfd
 Environment:
 Tested: 7/29/2015 12:05:58 PM
 Tested By: Sharp, Gerald
 Gear Ratio: 1:1
 Bearing Friction: -1.06 Oz-Ft
 Windage Torque: -1.39 Oz-Ft

Special Points	Vline (V)	Vaux (V)	Vcap (V)	Iline (A)	Watts	RPM	Tq(Oz-ft)	HP	Eff (%)	PF (%)
	115.0	211.4	248.7	2.649	120.2	1196	0.00	0.000	0.0	39.5
	115.0	204.5	238.8	2.805	180.0	1183	6.07	0.086	35.4	55.8
	115.0	195.8	225.5	3.260	253.8	1168	13.35	0.186	54.6	67.7
	115.0	187.8	214.6	3.724	313.7	1155	18.58	0.255	60.7	73.2
	115.0	181.1	206.0	4.211	372.1	1142	23.23	0.316	63.3	76.8
	115.0	174.6	197.9	4.746	434.7	1128	27.70	0.372	63.8	79.7
	115.0	167.9	190.4	5.290	493.3	1112	31.50	0.417	63.1	81.1
	115.0	161.2	183.0	5.849	551.0	1095	34.80	0.454	61.5	81.9
	115.0	154.1	175.5	6.429	607.8	1077	37.88	0.486	59.6	82.2
1075 RPM	115.0	153.3	174.5	6.510	615.7	1075	38.15	0.488	59.2	82.2
	115.0	147.3	168.4	7.004	662.5	1058	40.34	0.508	57.2	82.3
	115.0	140.0	161.5	7.572	712.9	1038	41.96	0.518	54.2	81.9
	115.0	132.9	154.8	8.149	762.6	1015	43.07	0.520	50.9	81.4
	115.0	125.3	148.7	8.721	808.0	989	43.90	0.517	47.7	80.6
BDT OZ-FT	115.0	121.8	145.7	8.988	829.4	976	44.03	0.512	46.0	80.2
	115.0	118.1	142.9	9.259	849.9	963	43.92	0.504	44.2	79.8
	115.0	110.8	137.7	9.776	885.9	933	43.43	0.482	40.6	78.8
	115.0	103.6	133.1	10.290	920.6	902	42.69	0.458	37.1	77.8
	115.0	96.4	129.2	10.778	950.0	867	41.04	0.424	33.3	76.6
	115.0	89.8	126.0	11.230	976.8	830	39.42	0.390	29.8	75.6
	115.0	83.1	123.6	11.659	998.0	789	37.33	0.351	26.2	74.4
	115.0	76.8	121.9	12.063	1017.2	745	34.34	0.304	22.3	73.3
	115.0	70.8	120.7	12.426	1032.1	698	31.94	0.265	19.2	72.2
	115.0	65.3	120.1	12.758	1045.3	648	29.40	0.227	16.2	71.2
	115.0	59.8	120.0	13.060	1055.2	593	26.03	0.184	13.0	70.3
	115.0	54.3	119.9	13.327	1060.7	534	22.42	0.143	10.0	69.2
	115.0	48.9	120.1	13.549	1063.6	472	19.46	0.109	7.7	68.3
	115.0	44.1	121.2	13.722	1065.8	402	16.88	0.081	5.7	67.5
	115.0	40.7	123.5	13.839	1069.5	332	14.32	0.057	3.9	67.2
	115.0	38.5	126.0	13.958	1073.2	255	12.63	0.038	2.7	66.9
	115.0	36.7	128.1	14.056	1076.3	174	9.40	0.019	1.3	66.6

DRAWING NO. PAGE 5 of 6 REV.
4M183BH -

Dayton Electric Mfg. Co. Lake Forest, IL 60045 USA

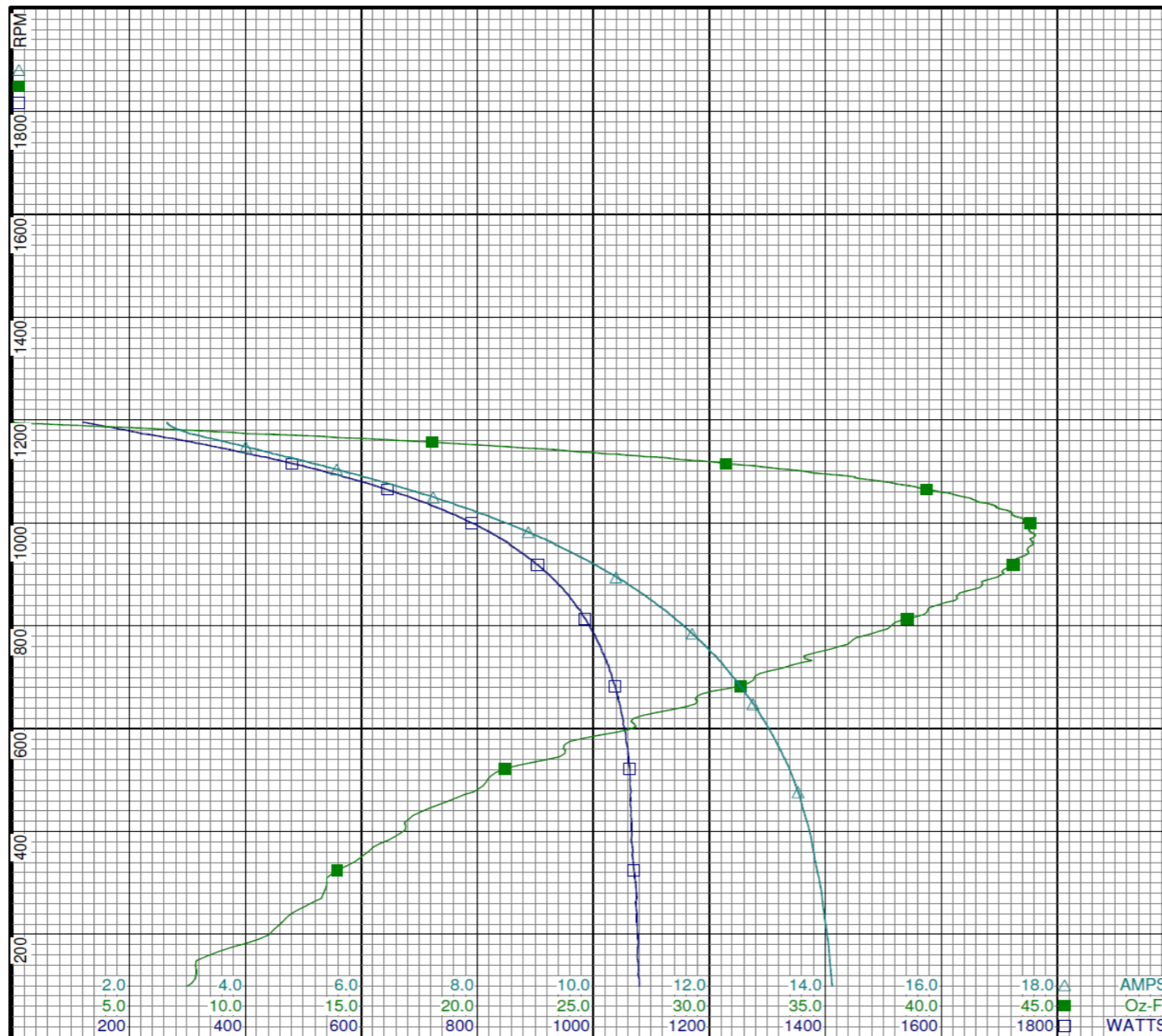
Performance Data



4M183BH

REV.

-



Curve Descriptions:

Motor(1) Test 3 Run 115V 60 Hz 6P M3

- SPEED vs WATTS
- SPEED vs TORQUE
- △ SPEED vs ILine

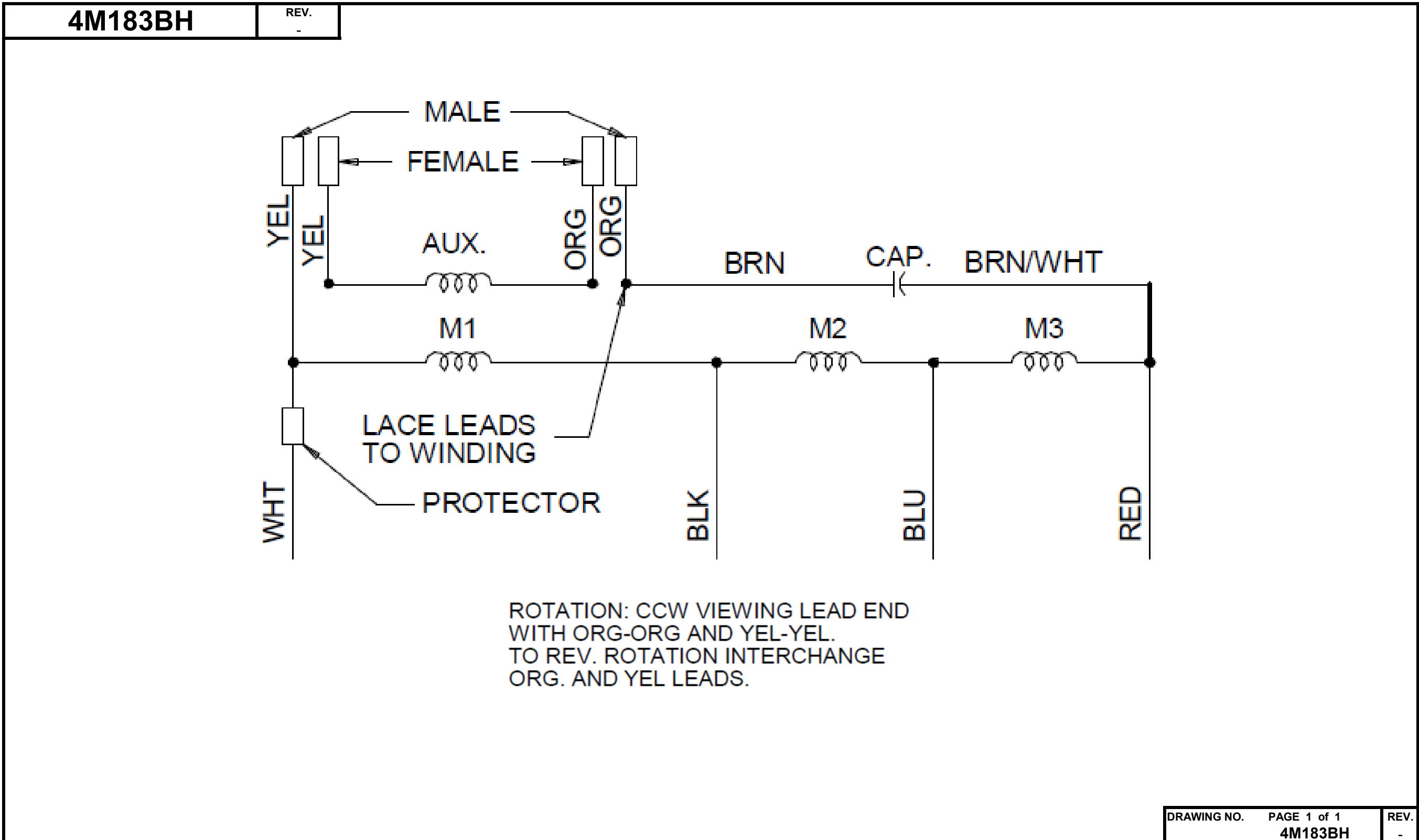
Motor Ratings:

4M183BH

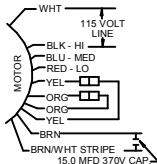
DRAWING NO.	PAGE 6 of 6	REV.
4M183BH		-

Dayton Electric Mfg. Co. Lake Forest, IL 60045 USA

Wiring Diagram



Dayton Electric Mfg. Co. Lake Forest, IL 60045 USA

Dayton[®]**DIRECT DRIVE
BLOWER MOTOR****HP:** 3/4**VOLTS:** 115**AMPS:** 11.5**RPM:** 1075 / 3SPD**DUTY:** CONT**SF:** 1.0**KVA CODE:****ENCL:** OAO**THERMALLY PROTECTED:** AUTOMFG. NO. PROT. CODE : 7A010**MTR REF:** K55HXWPY-2236**BAR CODE**Part
No 4M183BH**PH:** 1**HZ:** 60**FR:** 48YZ**INS CL:** B**AMB:** 40 °C**SFA:****Disconnect Power Before Making Any
Electrical Connections or Changes**TO REVERSE ROTATION
INTERCHANGE ORG
AND YEL LEADS

E37403



258501

Mfd for Dayton Electric Mfg. Co., Lake Forest, IL 60045 USA

Made In China