

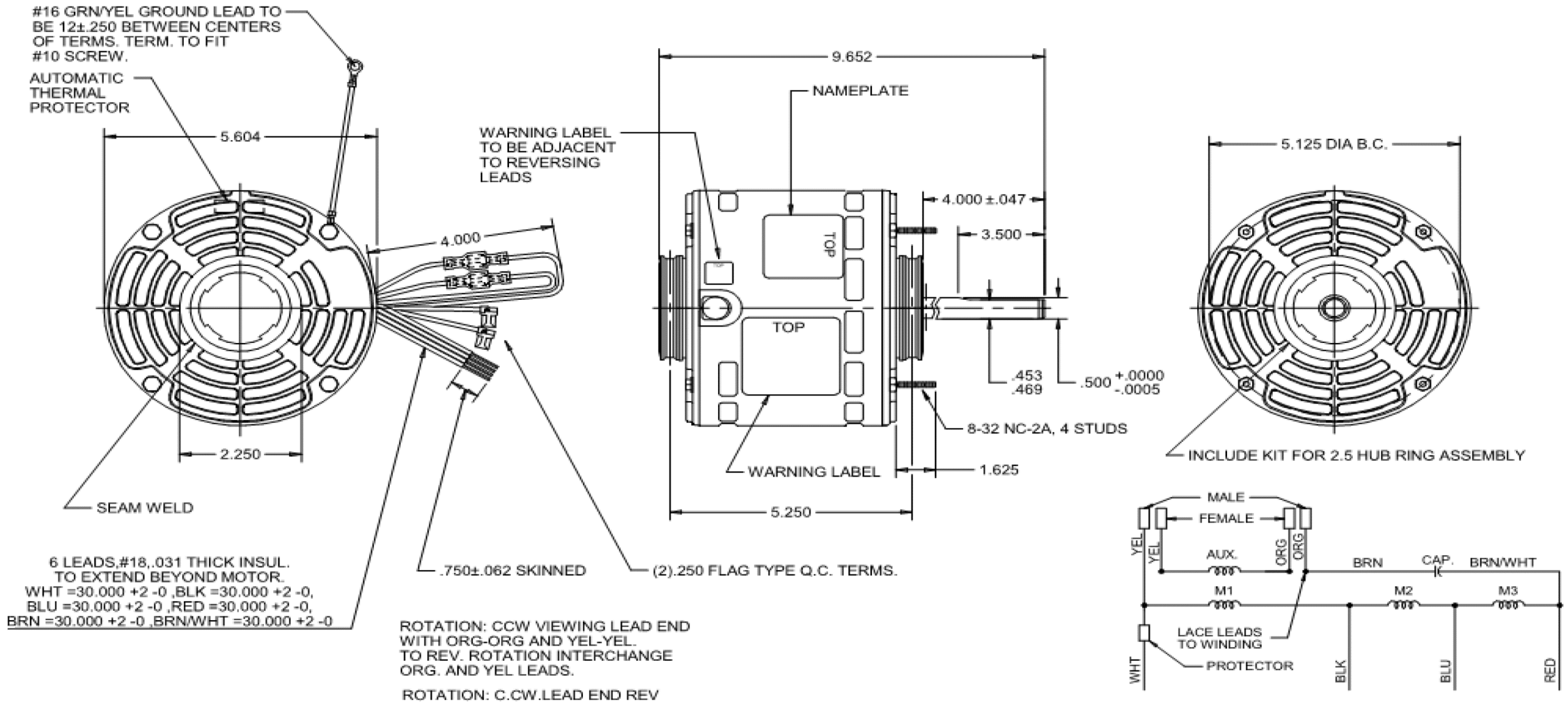
Dimensional Drawing



4M098BH

REV.
-

MODEL	REF	CUSTOMER	HP	VOLTS	AMPS	HZ	RPM	ROTATION	CUSTOMER PN	DESCRIPTION / REMARKS
K55HXKCU-2297	E41995	DAYTON	1/3	115	5.0	60	1075	C.CW. LEAD END REV	4M098BH	SAB



DRAWING NO.	PAGE 1 of 1	REV.
4M098BH		-

Dayton Electric Mfg. Co. Lake Forest, IL 60045 USA

4M098BH

REV.

-

SHADED-POLE & PSC MOTOR PERFORMANCE

HP:	1/3							
Poles:	6							
Ambient (°C):	40							
Altitude (FASL):	1000							
No. of Speeds:	3							
HIGH SPEED								
Volts:	115	115	208	230	277	460	100	200
HZ:	60	60	60	60	60	60	50	50
Service Factor:	1.0							
Efficiency:	@ Rated Load	58.3						
Power Factor:	@ Rated Load	82.2						
Amps:	@ No Load							
	@ Rated Load	5.1						
	@ Locked Rotor	10.6						
RPM:	@ Rated Load	1075						
Torques: Oz.Ft.	Breakdown	33.9						
	Locked Rotor	5.5						
	Pull-Up							
	Rated Load	29.4						
	Service Factor	1.0						
Watts:	Rated Load	482						
Temperature Rise:	@ Rated Load							
Thermal Protector:	Trip Temp (°C)	140~150						
Winding Material:	Start (Auxiliary)	Copper						
	Run (Main)	Copper						
Capacitor:	Run (MFD / Volts)	5.0 MFD 370V						
	No. of Run Capacitors	1						
MEDIUM-HIGH SPEED								
HP:	1/3							
Volts:	115	115	208	230	277	460	100	200
HZ:	60	60	60	60	60	60	50	50
Efficiency:	@ Rated Load							
Power Factor:	@ Rated Load							
Amps:	@ No Load							
	@ Rated Load							
	@ Locked Rotor							
Torques: Oz.Ft.	Breakdown	21.7						
	Locked Rotor							
	Pull-Up							
Watts:	Rated Load							
Temperature Rise:	@ Rated Load							

DRAWING NO. PAGE 1 REV.
4M098BH -

4M098BH

REV.
-

SHADED-POLE & PSC MOTOR PERFORMANCE

MEDIUM-LOW SPEED

HP:	1/3							
Volts:	115	115	208	230	277	460	100	200
HZ:	60	60	60	60	60	60	50	50
Efficiency:	@ Rated Load							
Power Factor:	@ Rated Load							
Amps:	@ No Load							
	@ Rated Load							
Torques: Oz.Ft.	Breakdown							
	Locked Rotor							
	Pull-Up							
	Rated Load							
Watts:	Rated Load							
Temperature Rise:	@ Rated Load							
Watts:	Rated Load							
Temperature Rise:	@ Rated Load							
Thermal Protector:	Trip Temp (°C)							
Winding Material:	Start (Auxiliary)							
	Run (Main)							

LOW SPEED

HP:	1/3							
Volts:	115	120	208	230	277	460	100	200
HZ:	60	60	60	60	60	60	50	50
Efficiency:	@ Rated Load							
Power Factor:	@ Rated Load							
Amps:	@ No Load							
	@ Rated Load							
Torques: Oz.Ft.	Breakdown	18						
	Locked Rotor							
	Pull-Up							
	Rated Load							
Watts:	Rated Load							
Temperature Rise:	@ Rated Load							

Notes:

DRAWING NO. PAGE 1 REV.
4M098BH -

Performance Data



4M098BH		REV.	Dayton Manufacturing Company							
		-	Filtered							
Motor Description				Test Conditions						
Model:	K55HXHXKCU-2297		Test Type:	Run		Run Cap:	5			
Motor ID:	4M098BH		Test Number:	12		Start Cap:	0µfd			
Poles:	6		Poles:	6		Environment:				
Volts:	115		Volts:	115		Tested:	1/29/2016 4:20:26 PM			
Frequency:	60		Hz:	60		Tested By:	Liu, Bingmin			
HP:	1/3		Rotation:			Gear Ratio:	1:1			
Speed:	1075		Special Cond:			Bearing Friction:	-0.87 Oz-Ft			
Phase:	1		Speed Conn:	LOW		Windage Torque:	-1.27 Oz-Ft			
Protector:	7AM036-A5		TestBoard:	NMQC Plotter Fixture #1						
Special Points	Vline (V)	Vaux (V)	Vcap (V)	Iline (A)	Watts	RPM	Tq (Oz-ft)	HP	Eff (%)	PF (%)
	115.0	293.6	320.8	0.975	59.0	1189	0.000	0.000	0.0	0.0
	115.0	292.0	318.0	0.995	63.1	1184	0.360	0.005	5.7	0.0
	115.0	275.9	293.7	1.170	89.5	1172	3.130	0.044	33.8	0.0
	115.0	256.6	267.9	1.490	128.9	1160	6.863	0.095	56.1	0.0
	115.0	247.1	257.3	1.697	151.8	1147	8.855	0.121	60.2	0.0
	115.0	239.0	248.1	1.879	171.8	1134	10.367	0.140	60.8	0.0
	115.0	230.6	238.5	2.068	191.8	1121	11.875	0.158	61.6	0.0
	115.0	221.8	228.5	2.269	212.8	1106	13.294	0.175	61.4	0.0
	115.0	211.8	217.9	2.483	235.1	1090	14.611	0.190	60.2	0.0
1075 RPM	115.0	203.9	209.5	2.675	251.8	1075	15.502	0.198	58.8	0.0
	115.0	202.8	208.4	2.701	254.0	1073	15.605	0.199	58.5	0.0
	115.0	194.1	199.3	2.906	272.2	1056	16.492	0.207	56.8	0.0
	115.0	184.7	189.7	3.117	291.1	1037	17.109	0.211	54.1	0.0
	115.0	175.2	180.8	3.325	308.7	1017	17.580	0.213	51.5	0.0
	115.0	166.4	172.5	3.520	324.5	996	17.849	0.212	48.6	0.0
	115.0	157.7	165.0	3.706	338.9	973	17.949	0.208	45.7	0.0
BDT OZ-FT	115.0	156.7	164.2	3.726	340.4	970	17.954	0.207	45.4	0.0
	115.0	148.9	157.8	3.891	352.7	947	17.849	0.201	42.6	0.0
	115.0	140.3	151.6	4.072	365.8	920	17.663	0.193	39.4	0.0
	115.0	131.5	145.5	4.252	378.0	890	17.229	0.183	36.0	0.0
	115.0	122.9	139.6	4.426	388.8	858	16.628	0.170	32.6	0.0
	115.0	114.6	135.1	4.588	398.3	824	15.960	0.157	29.3	0.0
	115.0	106.8	131.4	4.738	406.6	787	15.161	0.142	26.1	0.0
	115.0	99.4	128.5	4.874	413.8	748	14.262	0.127	22.9	0.0
	115.0	92.3	126.6	4.993	420.2	706	13.348	0.112	19.9	0.0
	115.0	85.5	125.2	5.091	425.5	660	12.299	0.097	16.9	0.0
	115.0	79.0	124.1	5.212	430.7	612	11.203	0.082	14.1	0.0
	115.0	72.8	123.7	5.332	434.8	561	10.048	0.067	11.5	0.0
	115.0	66.9	123.9	5.419	436.7	506	8.740	0.053	9.0	0.0
	115.0	61.4	124.2	5.490	437.5	448	7.646	0.041	6.9	0.0
	115.0	56.8	124.9	5.540	437.9	386	7.228	0.033	5.6	0.0
	115.0	53.6	126.8	5.585	440.1	321	6.758	0.026	4.4	0.0
	115.0	50.7	128.7	5.634	443.0	252	6.173	0.019	3.1	0.0
	115.0	47.7	130.1	5.675	444.9	179	5.264	0.011	1.9	0.0

DRAWING NO.	PAGE 1 of 6	REV.
4M098BH		-

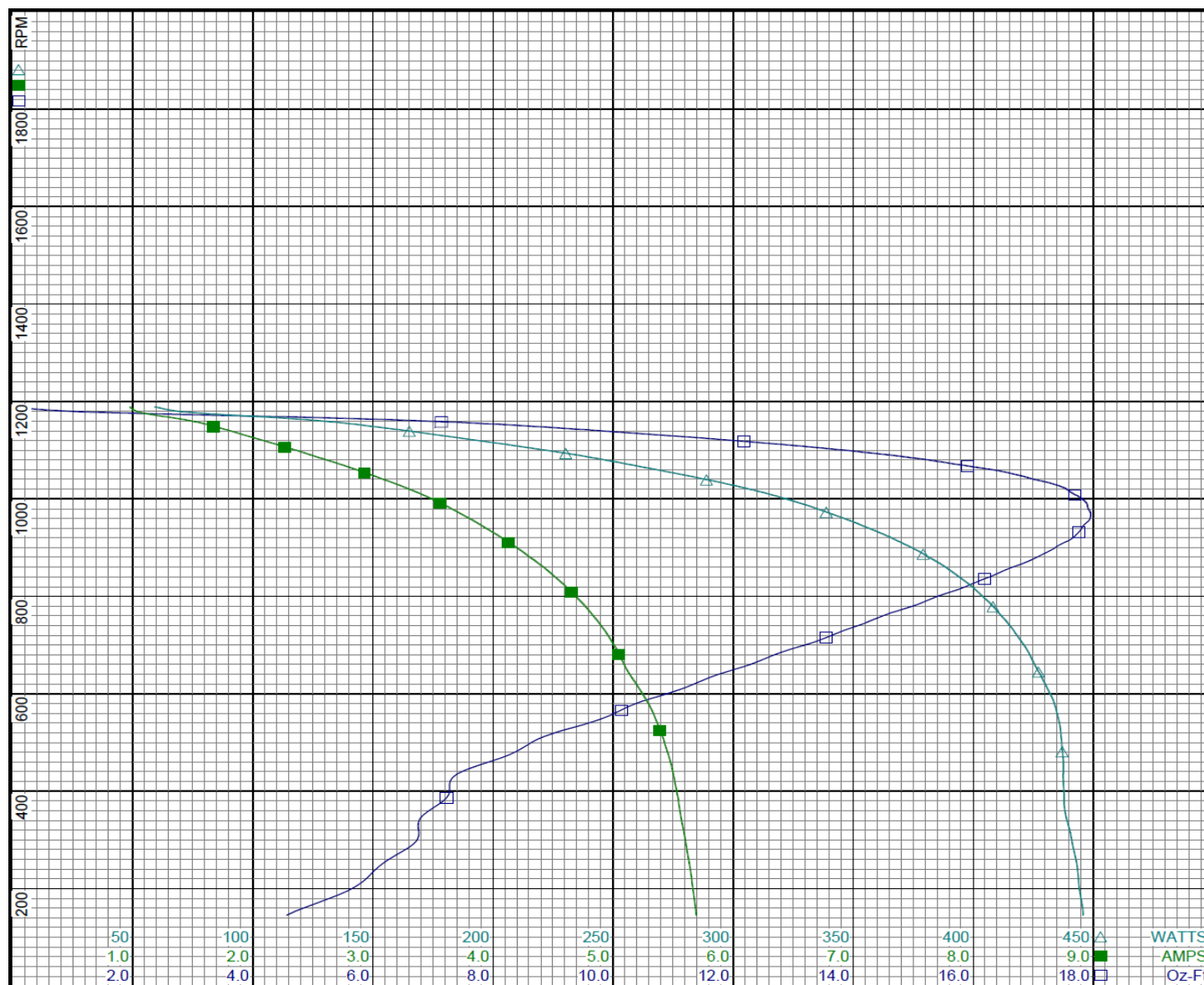
Performance Data



4M098BH

REV.

-



Curve Descriptions:

Motor(1) Test 12 Run 115V 60 Hz 6P
LOW 5ufd Run Filtered Data

- SPEED vs TORQUE
- SPEED vs ILine
- △ SPEED vs WATTS

Motor Ratings:

(1) K55HXHXKCU-2297 ID: 1 of 3

4M098BH

DRAWING NO.	PAGE 2 of 6	REV.
4M098BH		-

Dayton Electric Mfg. Co. Lake Forest, IL 60045 USA

Performance Data



4M098BH REV.
-

Dayton Manufacturing Company
Filtered

Motor Description

Test Conditions

Model:	K55HXHXKCU-2297	Test Type:	Run	Run Cap:	5
Motor ID:	4M098BH	Test Number:	8	Start Cap:	0µfd
Poles:	6	Poles:	6	Environment:	
Volts:	115	Volts:	115	Tested:	1/29/2016 4:23:12 PM
Frequency:	60	Hz:	60	Tested By:	Liu, Bingmin
HP:	1/3	Rotation:		Gear Ratio:	1:1
Speed:	1075	Special Cond:		Bearing Friction:	-0.84 Oz-Ft
Phase:	1	Speed Conn:	MED	Windage Torque:	-1.16 Oz-Ft
Protector:	7AM036-A5	TestBoard:	NMQC Plotter Fixture #1		

Special Points	Vline (V)	Vaux (V)	Vcap (V)	Iline (A)	Watts	RPM	Tq (Oz-ft)	HP	Eff (%)	PF (%)
	115.0	318.6	347.9	1.204	68.9	1192	0.00	0.000	0.0	0.0
	115.0	316.6	345.0	1.230	74.5	1186	0.50	0.007	6.7	0.0
	115.0	298.7	317.6	1.463	111.0	1172	4.28	0.060	38.5	0.0
	115.0	281.4	294.4	1.793	152.7	1159	8.16	0.113	56.3	0.0
	115.0	270.5	282.3	2.052	183.2	1145	10.77	0.147	60.1	0.0
	115.0	259.2	268.8	2.335	215.5	1131	13.28	0.179	61.8	0.0
	115.0	247.4	255.0	2.631	246.3	1114	15.43	0.205	62.0	0.0
	115.0	236.6	243.0	2.904	272.8	1097	17.06	0.223	61.0	0.0
	115.0	226.1	232.2	3.159	297.6	1080	18.45	0.237	59.4	0.0
1075 RPM	115.0	223.3	229.3	3.226	304.1	1075	18.76	0.240	58.9	0.0
	115.0	215.3	220.9	3.425	322.9	1061	19.67	0.248	57.4	0.0
	115.0	204.5	209.9	3.689	346.5	1041	20.51	0.254	54.7	0.0
	115.0	193.8	199.5	3.947	369.1	1018	21.14	0.256	51.8	0.0
	115.0	182.6	188.8	4.216	391.8	994	21.59	0.255	48.6	0.0
BDT OZ-FT	115.0	170.9	178.5	4.486	413.1	967	21.65	0.249	45.0	0.0
	115.0	170.9	178.5	4.486	413.1	967	21.65	0.249	45.0	0.0
	115.0	160.1	168.9	4.737	431.9	939	21.38	0.239	41.3	0.0
	115.0	149.5	161.4	4.964	448.7	907	21.01	0.227	37.7	0.0
	115.0	139.2	154.5	5.168	464.0	873	20.46	0.213	34.2	0.0
	115.0	129.2	148.4	5.397	478.6	835	19.67	0.196	30.5	0.0
	115.0	119.3	143.2	5.606	491.0	795	18.64	0.176	26.8	0.0
	115.0	110.0	138.8	5.798	501.1	752	17.35	0.155	23.1	0.0
	115.0	101.0	136.1	5.973	510.0	705	16.10	0.135	19.8	0.0
	115.0	92.7	134.1	6.133	517.6	655	14.77	0.115	16.6	0.0
	115.0	85.0	132.9	6.280	524.1	601	13.28	0.095	13.5	0.0
	115.0	77.2	132.8	6.410	528.6	542	11.67	0.075	10.6	0.0
	115.0	70.3	132.6	6.526	532.3	480	10.17	0.058	8.1	0.0
	115.0	64.1	133.3	6.615	534.3	414	9.21	0.045	6.3	0.0
	115.0	59.0	134.6	6.675	535.6	343	8.45	0.034	4.8	0.0
	115.0	55.3	136.8	6.728	537.8	267	7.47	0.024	3.3	0.0
	115.0	51.7	139.1	6.783	540.8	187	6.41	0.014	2.0	0.0

DRAWING NO.	PAGE 3 of 6	REV.
4M098BH		-

©2020 W.W. Grainger, Inc. This design may not be reproduced, modified or redistributed without written permission from W.W. Grainger, Inc.

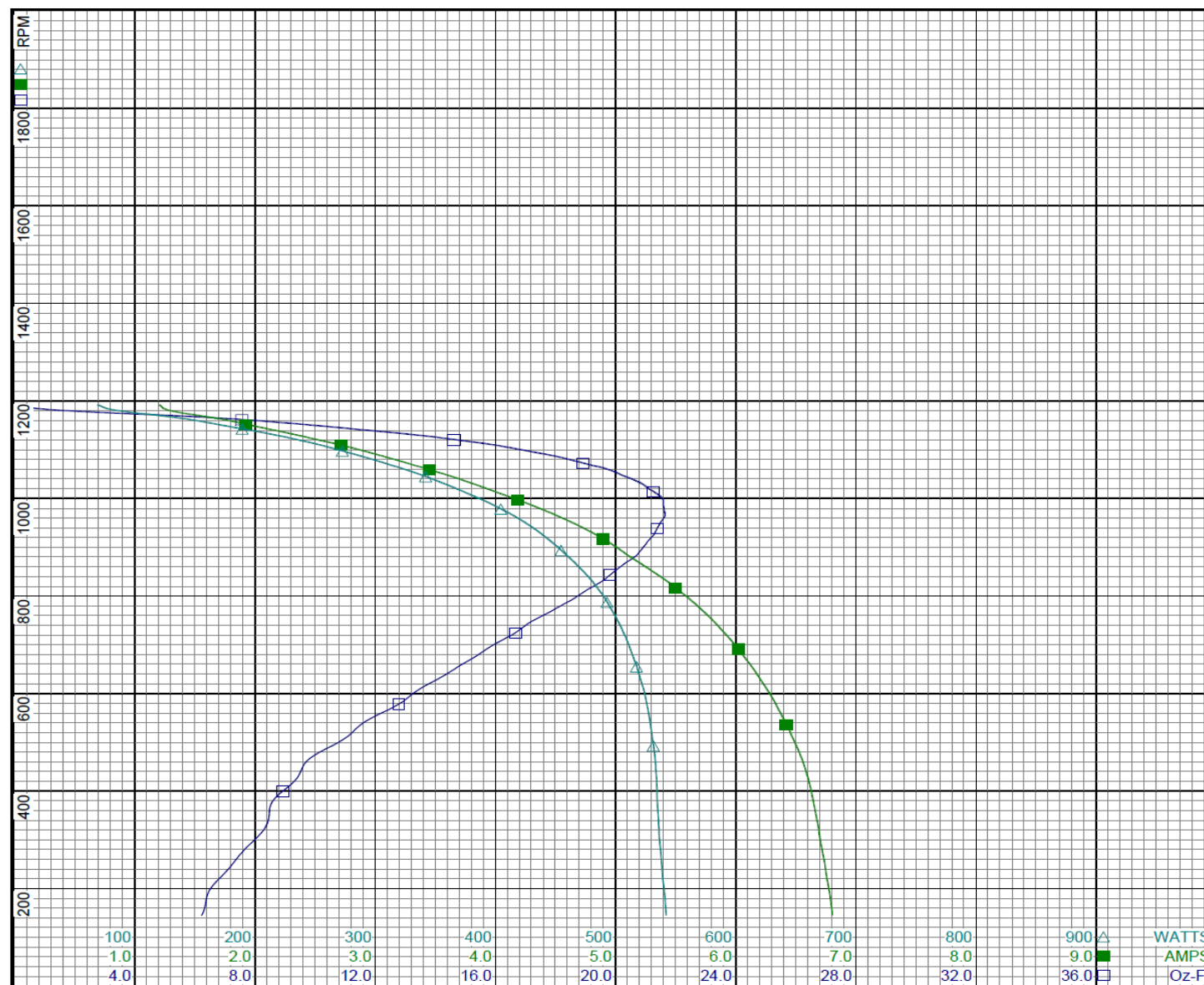
Performance Data



4M098BH

REV.

-



Curve Descriptions:

Motor(1) Test 8 Run 115V 60 Hz 6P
MED 5ufd Run Filtered Data

- SPEED vs TORQUE
- SPEED vs ILine
- △ SPEED vs WATTS

Motor Ratings:

(1) 4M098BH

DRAWING NO.	PAGE 4 of 6	REV.
4M098BH		-

Dayton Electric Mfg. Co. Lake Forest, IL 60045 USA

Performance Data



4M098BH		REV.	Dayton Manufacturing Company							
		-	Filtered							
Motor Description				Test Conditions						
Model:	K55HXHXKCU-2297		Test Type:	Run		Run Cap:	5			
Motor ID:	4M098BH		Test Number:	3		Start Cap:	0µfd			
Poles:	6		Poles:	6		Environment:				
Volts:	115		Volts:	115		Tested:	1/29/2016 4:25:44 PM			
Frequency:	60		Hz:	60		Tested By:	Liu, Bingmin			
HP:	1/3		Rotation:			Gear Ratio:	1:1			
Speed:	1075		Special Cond:			Bearing Friction:	-0.83 Oz-Ft			
Phase:	1		Speed Conn:	HI		Windage Torque:	-1.12 Oz-Ft			
Protector:	7AM036-A5		TestBoard:	NMQC Plotter Fixture #1						
Special Points	Vline (V)	Vaux (V)	Vcap (V)	Iline (A)	Watts	RPM	Tq (Oz-ft)	HP	Eff (%)	PF (%)
	115.0	369.1	406.5	2.356	105.1	1191	0.00	0.000	0.0	0.0
	115.0	368.0	404.6	2.366	111.3	1187	0.61	0.009	5.4	0.0
	115.0	359.0	386.7	2.564	167.9	1175	6.25	0.087	36.6	0.0
	115.0	347.5	368.1	2.933	231.6	1164	12.10	0.168	55.4	0.0
	115.0	337.7	355.9	3.224	271.9	1152	15.55	0.213	59.1	0.0
	115.0	326.8	343.4	3.545	312.8	1139	18.76	0.254	60.6	0.0
	115.0	316.0	330.2	3.882	353.0	1125	21.78	0.292	61.6	0.0
	115.0	305.1	317.5	4.230	391.7	1110	24.40	0.323	61.4	0.0
0.333 HP	115.0	300.9	312.7	4.364	406.3	1105	25.32	0.333	61.2	0.0
	115.0	293.7	304.7	4.590	430.6	1095	26.76	0.349	60.5	0.0
	115.0	281.3	290.7	4.978	471.7	1079	28.95	0.372	58.8	0.0
1075 RPM	115.0	278.0	287.1	5.078	482.4	1075	29.44	0.377	58.3	0.0
	115.0	268.4	276.5	5.374	512.7	1062	30.79	0.389	56.6	0.0
	115.0	255.8	263.3	5.757	549.2	1043	32.03	0.398	54.0	0.0
	115.0	243.6	250.9	6.127	582.6	1022	33.00	0.402	51.4	0.0
	115.0	231.2	238.6	6.493	614.7	1000	33.58	0.400	48.5	0.0
	115.0	218.5	227.0	6.858	645.6	977	33.82	0.393	45.4	0.0
BDT OZ-FT	115.0	214.4	223.2	6.981	655.7	968	33.85	0.390	44.4	0.0
	115.0	206.0	215.6	7.218	674.7	951	33.73	0.382	42.2	0.0
	115.0	194.1	205.4	7.561	701.5	923	33.42	0.367	39.1	0.0
	115.0	181.6	195.4	7.898	726.4	894	32.66	0.347	35.7	0.0
	115.0	169.7	186.6	8.226	749.3	862	31.61	0.324	32.3	0.0
	115.0	157.9	178.9	8.533	769.4	827	30.30	0.298	28.9	0.0
	115.0	147.0	172.4	8.815	787.5	790	28.93	0.272	25.8	0.0
	115.0	136.6	167.1	9.078	803.7	751	27.33	0.244	22.7	0.0
	115.0	126.6	163.0	9.327	817.9	709	25.65	0.216	19.7	0.0
	115.0	117.0	159.6	9.560	830.9	664	23.77	0.188	16.9	0.0
	115.0	107.8	157.4	9.773	841.5	616	21.70	0.159	14.1	0.0
	115.0	98.7	155.9	9.962	849.2	565	19.44	0.131	11.5	0.0
	115.0	90.2	155.0	10.133	855.7	511	17.19	0.104	9.1	0.0
	115.0	82.2	154.6	10.269	860.3	452	15.41	0.083	7.2	0.0
	115.0	75.3	155.5	10.373	863.6	391	14.11	0.066	5.7	0.0
	115.0	69.7	157.5	10.449	867.9	326	12.73	0.049	4.2	0.0
	115.0	65.2	160.0	10.516	872.9	258	11.59	0.036	3.0	0.0
	115.0	61.1	162.7	10.574	876.8	185	9.96	0.022	1.9	0.0

DRAWING NO.	PAGE 5 of 6	REV.
4M098BH		-

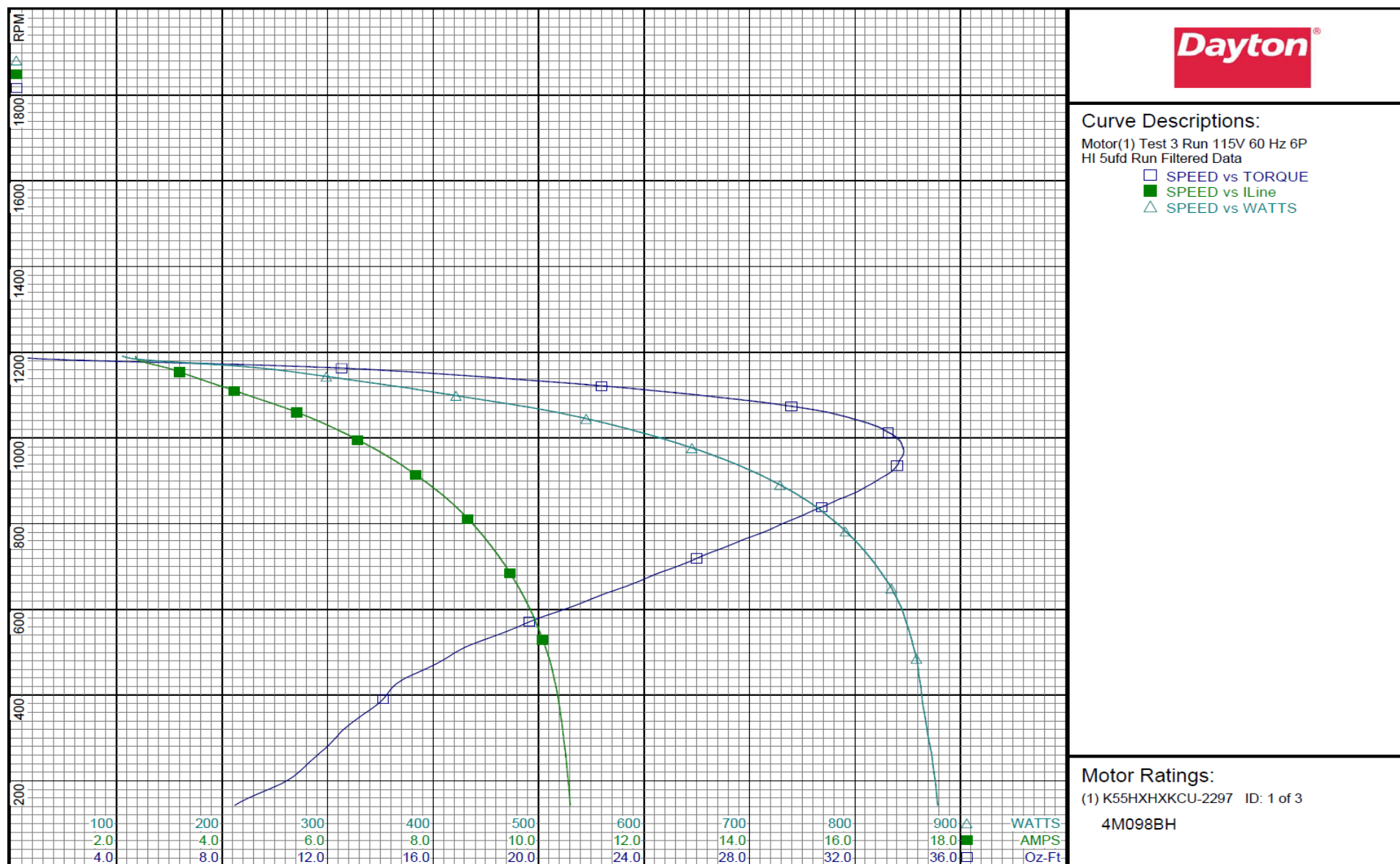
Performance Data



4M098BH

REV.

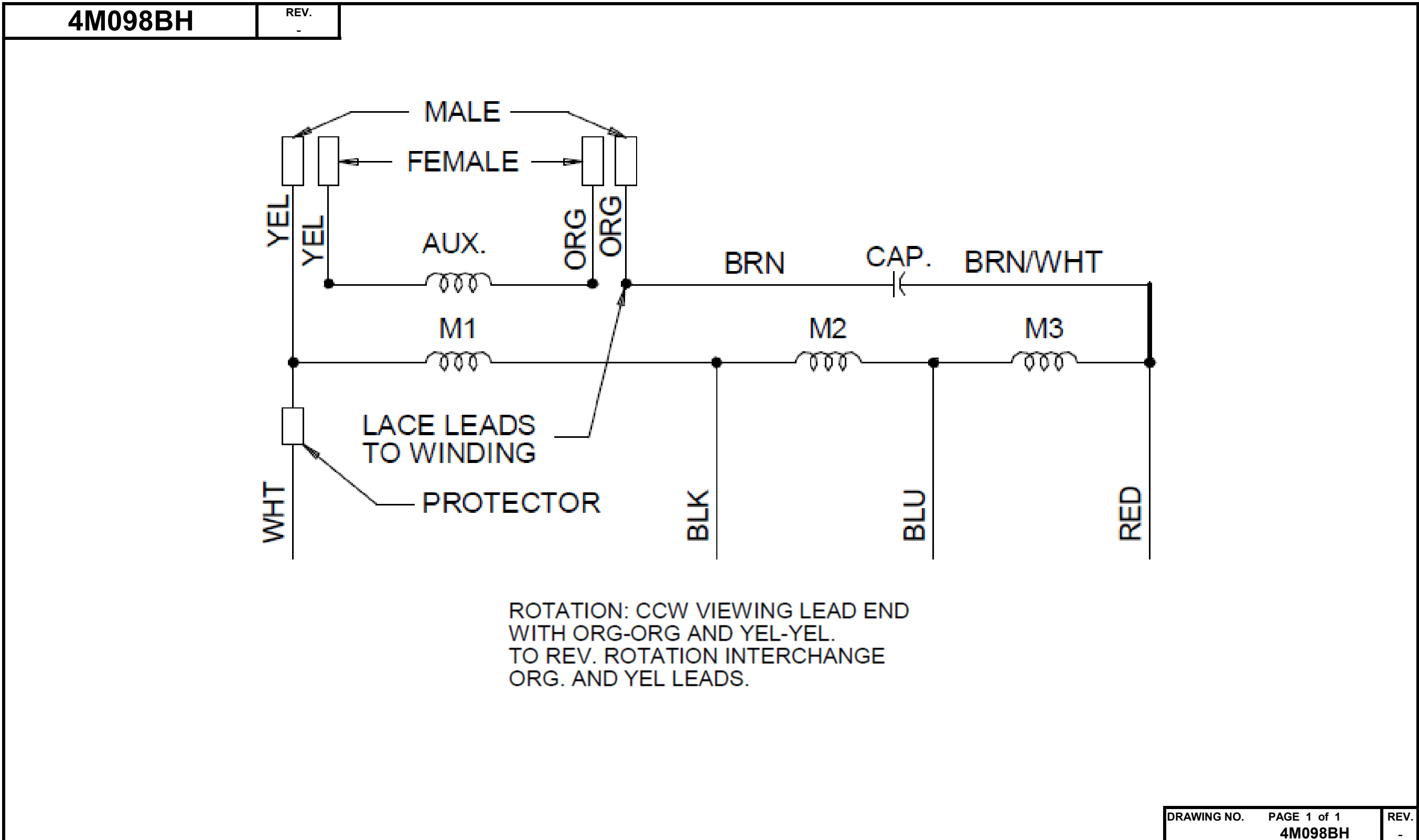
-



DRAWING NO.	PAGE 6 of 6	REV.
4M098BH		-

Dayton Electric Mfg. Co. Lake Forest, IL 60045 USA

Wiring Diagram



Dayton Electric Mfg. Co. Lake Forest, IL 60045 USA

Dayton®

DIRECT DRIVE BLOWER MOTOR

Part No
4M098BH



HP: 1/3

VOLTS: 115

AMPS: 5.0

RPM: 1075 / 3SPD

DUTY: CONT

ENCL: OAO

THERMALLY PROTECTED: AUTO

MFG. NO. PROT. CODE : 7A010 AVG.F.L

MTR REF: K55HXKCU-2297

PH: 1

HZ: 60

FR: 48YZ

INS CL: B

AMB: 40 °C

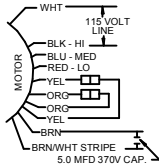
SF: 1.0

EFF.

**Disconnect Power Before Making Any
Electrical Connections or Changes**



TO REVERSE ROTATION
INTERCHANGE ORG AND YEL LEADS



Mfd for Dayton Electric Mfg. Co., Lake Forest, IL 60045 USA

Made In China