

TF115-001

40° F to 110° F

TF115-023

-30° F to 100° F

TH109-009

40° F to 100° F

TRF115-005

0° F to 120° F

TRF115-007

-30° F to 100° F



T109 & T115 Series

PECO NEMA 4x Industrial Controls

Tough industrial application thermostats that are built for long-term, reliable performance while withstanding harsh climate conditions.

One control for heating & cooling,
makes use centralized & easy.

Rugged, weather resistant enclosure,
enabling placement most anywhere.

Tolerates moist conditions,
performs despite water spray, high humidity,
airborne contaminants & moderately
corrosive conditions.

Large, visible dial,
making set point temperatures clear.

Enclosures comply with N.E.C. Article 547,
giving code compliance peace-of-mind.

Built from corrosion resistant materials,
allowing long life & reliable performance in
most demanding climates.

UL listed & CSA certified.

Wide Range of Industrial Functions

Typical applications are anywhere a rugged, weatherproof mechanical thermostat will best control refrigeration, industrial heating/cooling or staged heat/cool/ventilation systems.

- ▶ Walk-in coolers
- ▶ Freezers
- ▶ Fans
- ▶ Dampers
- ▶ Factory & industrial buildings
- ▶ Greenhouses
- ▶ Garages
- ▶ Warehouses
- ▶ Animal confinement buildings, including those for poultry or livestock.



Innovation & experience you can count on



Electric



Gas



Fan



Refrigeration

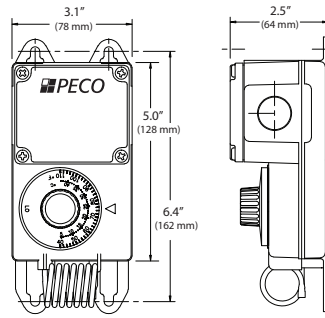
**T109
T115**

Ratings

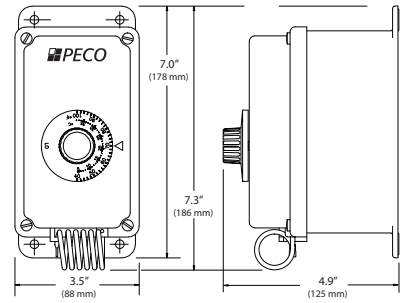
Voltage Rating	FLA	LR	Non-Inductive	Pilot Duty
120 VAC	16.0 A	80.0 A	25.0 A	125 VA
208 VAC	13.2 A	66.0 A	25.0 A	125 VA
240 VAC	12.0 A	60.0 A	25.0 A	125 VA
277 VAC	10.0 A	50.0 A	22.0 A	125 VA

Suitable for 24 VAC operation

TF115 & TRF115



TH109



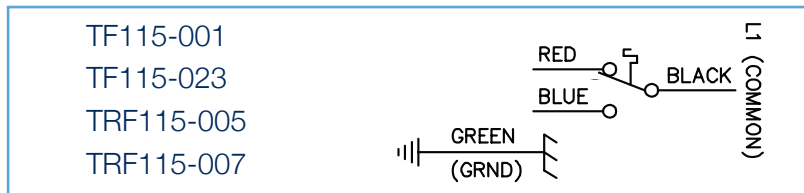
Models

Model	Part No.	Temp. Range	Diff.	Dimensions	Switch Action	Bulb
TF115-001	68471	40° F to 110° F	Fixed 3 F	3.1" W x 6.5" H x 2.5" D	SPDT	Coiled Air - Stainless
TF115-023	70254	-30° F to 100° F	Fixed 6 F	3.1" W x 6.5" H x 2.5" D	SPDT	Coiled Air - Stainless
TRF115-005	68426	0° F to 120° F	Fixed 3 F	3.1" W x 6.5" H x 2.5" D	SPDT	5' Stainless Remote
TRF115-007	69320	-30° F to 100° F	Fixed 6 F	3.1" W x 6.5" H x 2.5" D	SPDT	8' Copper Remote
TH109-009	68427	40° F to 100° F	3°/ Stage	3.5" W x 7.3" H x 4.9" D	2- SPDT	Coiled Air - Stainless

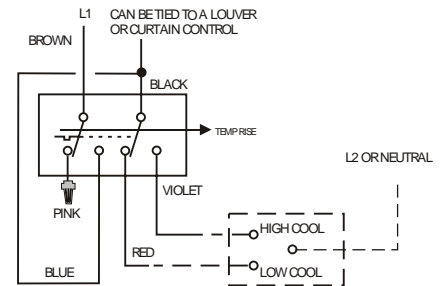


Technical Data

Wiring Connections

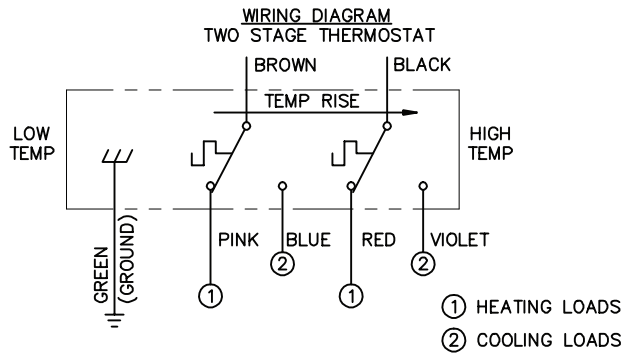


Two Speed Cooling

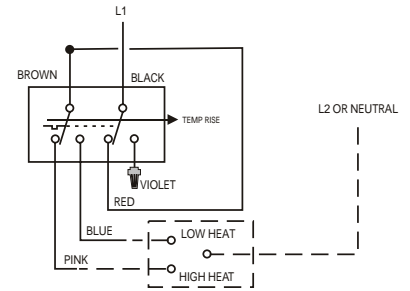


TH109-009

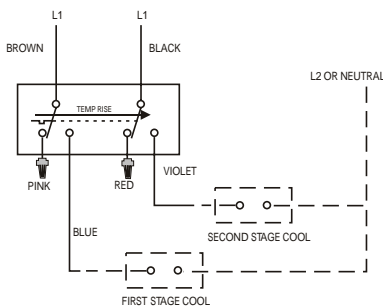
Double pole, double throw contacts operate sequentially with 3° F (1.7 C) nominal separation on temperature rise or fall.



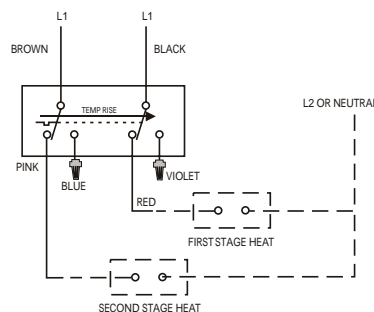
Two Speed Heating



Two Stage Cooling

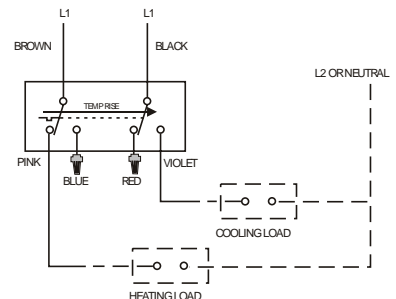


Two Stage Heating



Auto Changeover Control

1 Heat/1 Cool with 3° F dead band



DS-T109-T115 6/10

T109
T115



Automation & Controls
Division of PECO, Inc.
Portland, OR 97282

800-874-8547 or 503-233-6401
sales@pecomanufacturing.com
www.pecomanufacturing.com