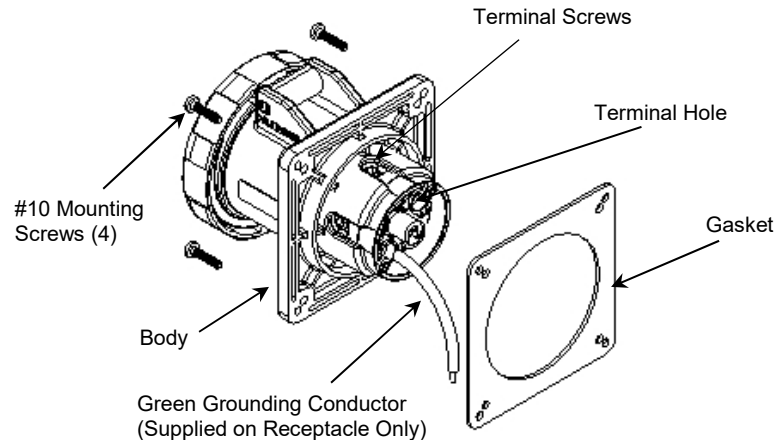


# MARINE PIN & SLEEVE

## Installation Instructions

### Wiring Instructions - 100A Receptacles



**WARNING: BE SURE POWER IS OFF BEFORE STARTING.**

**NOTICE:** For installation only by a qualified electrician in accordance with the National Electrical Code<sup>®</sup>, Canadian Electrical Code, local codes, and the following instructions.

**CAUTION:** RISK OF ELECTRIC SHOCK. Disconnect power before installing. Never wire energized electrical components.

**ATTENTION:** RISQUE DE CHOC ÉLECTRIQUE. Débrancher le circuit avant l'installation. Ne jamais faire les connexions sur circuit vivant.

**CAUTION:** USE COPPER CONDUCTORS ONLY.

**ATTENTION:** EMPLOYER UNIQUEMENT AVEC FIL DE CUIVER.

**NOTE:** Due to the harshness of a marine environment, it is very important that **ALL** contact surfaces be kept clean and periodically sprayed with a corrosion resistant electrical contact cleaner/lubricant (such as LPS-1 made by Holt Lloyd Corp., Tucker, Georgia).

1. Check to see that the rating, molded on side of the device, is correct for the installation.
2. Select conductors of a size having suitable ampacity in accordance with the 60°C column of Table 310-16 of the National Electrical Code<sup>®</sup>, NFPA 70, and Table 2 of the Canadian Electrical Code, Part I. Use copper conductors only, having a minimum insulation temperature of 75°C. Terminals accept conductor sizes #2 through #1/0 AWG.
3. Strip each conductor per Table I. Insert the conductor into marked terminal hole according to Table II.

**NOTE: DO NOT TIN CONDUCTOR. Crossing one ungrounded conductor (Line) over the grounded conductor (Neutral) may be necessary with five-wire devices.**

4. Torque terminal screws per Table I.

|                        |            |       |
|------------------------|------------|-------|
| Strip Conductor        | Inch       | 1-1/2 |
|                        | Millimeter | 38    |
| Torque Terminal Screws | Lb.- In.   | 75    |
|                        | N•M        | 8.5   |

| Termination Identification                                      | Use For                                   |
|---|---|
| G, Green, ⊕   | Equipment Grounding Conductor             |
| W, White, N   | Grounded Circuit Conductors (Neutral)     |
| L1, L2, L3, or Blank or R1 S2, T3, or Blank or X, Y, Z or Blank | Ungrounded Circuit Conductors (Line, Hot) |